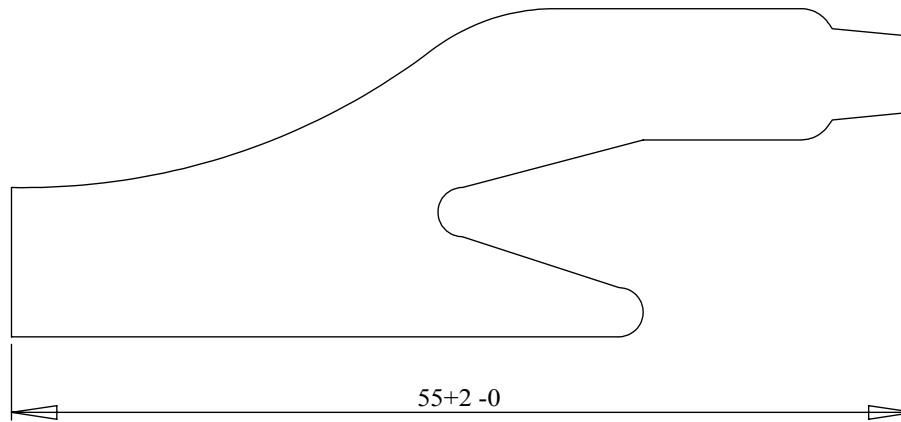
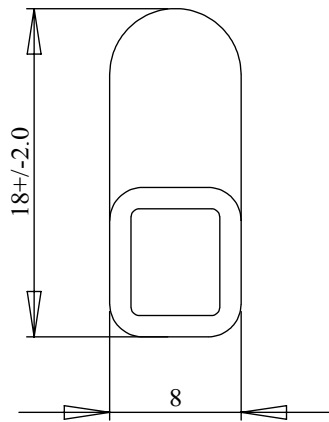


Dimensions



Material : PVC

Black : 302-0100

Red : 302-0500

Tel No. +44(0)1724 273200 Website www.dem-uk.com

PROPRIETARY AND CONFIDENTIAL
 THE INFORMATION CONTAINED IN THIS DRAWING IS THE SOLE PROPERTY OF
ALPHA 3 MANUFACTURING.
 ANY REPRODUCTION IN PART OR AS A WHOLE WITHOUT THE WRITTEN PERMISSION OF
ALPHA 3 MANUFACTURING IS PROHIBITED.



DEM  DEM Manufacturing, Deltron Emcon House
 Hargreaves Way, Sawcliffe Ind. Park,
 Scunthorpe, North Lincolnshire, DN15 8RF, UK

FINISH STANDARD CROCODILE
 COVER

DEBURR AND BREAK
 SHARP EDGES

DRAWN BY
 APPROVED BY

SPB
 WC

TITLE GENERAL SPECIFICATION
 302 SERIES
 COVER

IF IN DOUBT ASK
 DO NOT SCALE DRAWING

THIRD ANGLE PROJECTION

SHEET 1 OF 1

DRAWING NO.
 SW44C7

ISSUE **02**
 Release

MATERIAL SEE NOTE



SCALE 1:1
 A4

X-ON Electronics

Largest Supplier of Electrical and Electronic Components

Click to view similar products for [Test Clips](#) category:

Click to view products by [Deltron](#) manufacturer:

Other Similar products are found below :

[010000](#) [923743-16](#) [923850-C](#) [BU-656-0](#) [4140A](#) [4324A](#) [TL820](#) [TL822](#) [5116](#) [5450](#) [5216](#) [5252](#) [5454](#) [5694](#) [923700](#) [923698](#) [CR0060](#) [3038](#)
[927739-20](#) [923743-14](#) [923743-40](#) [932146101](#) [930318100](#) [930126101](#) [Z-SB3FA3250AAAB04001](#) [Z-S11F0107G1000](#) [Z-S11F0207B1520](#) [Z-](#)
[S11F0207B2030](#) [Z-S11F0207B15000](#) [Z-SB3FA3226AAAB11001](#) [Z-S11F0207B1010](#) [Z-S11F0207B3000](#) [923706](#) [930317800](#) [930317801](#)
[973889100](#) [972405100](#) [972405101](#) [923714](#) [R999720600](#) [949-1](#) [458-3](#) [SK 201200278 020](#) [BU-65-B](#) [BU-21CPN-GZZZ](#) [PK-HVA-02](#) [BU-](#)
[25C-DZZZ](#) [BU-142-2](#) [SAK 6675 NI / GNGE](#) [AK 7002 SN / GE](#)