

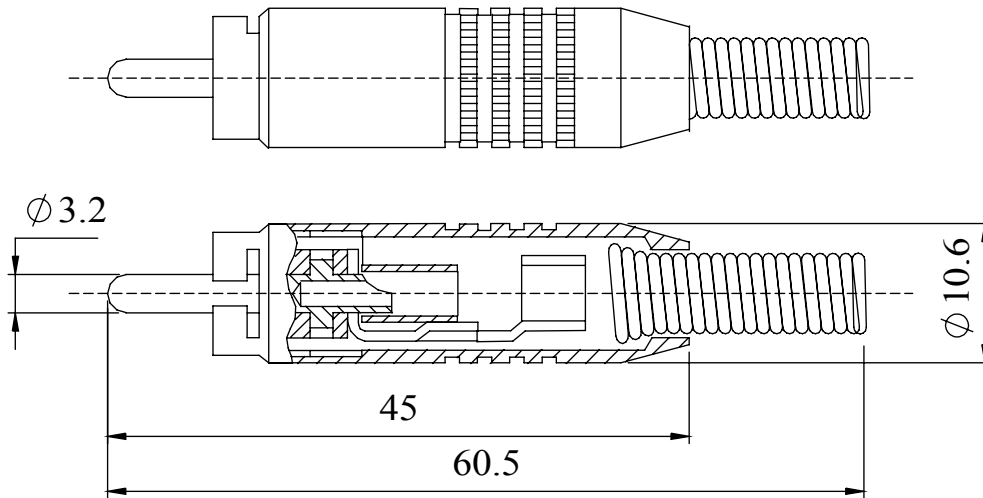
A range of high quality UK manufactured phono plug made from machined brass with various plating options. The aluminium housing is anodised in various colours for easy identification.

- Centre contact is a solid pin with a large scalloped solder bucket.
- Grounded contact with precision machined 'T' shape slot for maximum contact.
- Cable clamp for cable gripping and dual grounding.
- Attractive body styling.

Material	
Centre Contact	: Brass Flash gold plate
Grounded Contact	: Brass Flash gold plate
Insulation	: PTFE
Collet	: Brass, flash gold plate
Phono Cap	: Brass Black chrome plate

Ratings-
 Rated Current: 5A.
 Rated Voltage: 50V.
 Insulation resistance
 100m W 500 Vdc

Dimensions



Deltron Part No.	Description
346-0100	BLACK ANODISED CAP PLUG
346-0200	BLUE ANODISED CAP PLUG
346-0500	RED ANODISED CAP PLUG
346-0700	YELLOW ANODISED CAP PLUG

X-ON Electronics

Largest Supplier of Electrical and Electronic Components

Click to view similar products for [RCA Phono Connectors](#) category:

Click to view products by [Deltron](#) manufacturer:

Other Similar products are found below :

[174-0252-E](#) [17PP052](#) [NYS352AG](#) [333-0000](#) [330F3](#) [336AX](#) [342-0000](#) [AP-165](#) [598](#) [AX101880](#) [716SNS1P11PL-25](#) [585](#) [330-0000](#) [335-0000](#) [588](#) [ACJD-BLK](#) [NF2D-2](#) [NF2D-9](#) [NF2D-B-0](#) [NF2D-B-4](#) [299](#) [ACJD-RED](#) [ACJD-WHT](#) [PJRAS3X1S01X](#) [RCJ-2244](#) [3507](#) [413-0100](#) [431-0500](#) [331-0000](#) [561](#) [NF2D-B-2](#) [NF2D-B-6](#) [566](#) [571](#) [572](#) [574](#) [580](#) [581](#) [583](#) [586](#) [587](#) [589](#) [598](#) [NYS354](#) [NYS372P](#) [NYS373-2-U](#) [ACJD-GRN](#) [936](#) [PJLAN1X1U03AUX](#) [PJRAS1X3S02X](#)