

IP54 General Purpose Enclosures

Technical Specification

Manufactured from ADC12 aluminium, this range offers a versatile, IP54 enclosure solution for any applications where light protection against dust and low pressure water spray is required.

15 sizes are available, complete with captive screws, earth screws and PCB guides on selected sizes. Nine sizes are also available with flanges for easy mounting.

Deltron Enclosures can customise any enclosure in our UK factory, including machining, painting, component sourcing and installation to meet your specification, save time and cut your costs. View our Services page on our website for more information.



For more information:

Phone: +44 (0)1724 273206

Features:

- IP54 Rated
- Manufactured from ADC12
- Certified to BS EN 60529:1992
- RoHS Compliant

Typical Applications:

- Remote Control Systems
- Keyboards
- Display Boards
- Radio Instrumentation

Available Dimensions (mm):

| | |
|-----------------|---------------------------|
| 89 x 35 x 30* | 114 x 64 x 30* |
| 114 x 89 x 55* | 114 x 65 x 55* |
| 172 x 121 x 55* | 172 x 121 x 106* |
| 222 x 146 x 55* | 222 x 146 x 106 |
| 275 x 175 x 65 | 140 x 102 x 76* |
| 165 x 127 x 76 | 120 x 100 x 35* |
| 250 x 250 x 99 | 80 x 55 x 25 |
| 60 x 55 x 30 | *= Available with Flanges |

Finishes: Plain Aluminium, Powder or Nylon coat.

Coating Colours: Grey, Blue or Black.

Or choose to have your enclosure customised for bespoke finishes and colours.

DEM Manufacturing

Deltron Emcon House,
Hargreaves Way,
Sawcliffe Industrial Park,
Scunthorpe, DN15 8RF.

DELTRON Enclosures

Web: www.dem-uk.com/deltron-enclosures

Tel: +44 (0) 1724 273206

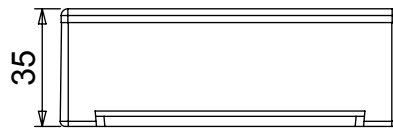
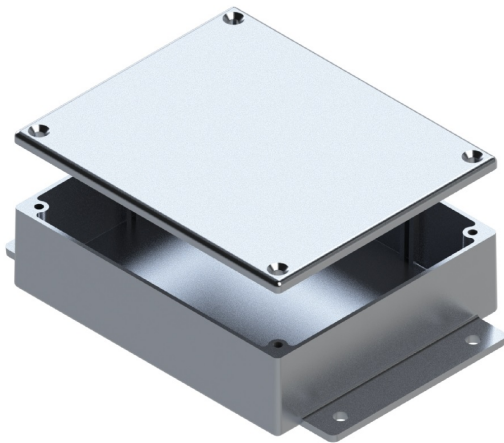
Fax: +44 (0) 1724 280353

Email: sales@dem-uk.com

| | | | | |
|-----|---|-------------|------------|-----------------------|
| REV | 1 | DATE | ECN NUMBER | ECR COMMENT |
| 003 | | 06 Jun 2017 | C03614 | TORQUE SETTINGS ADDED |

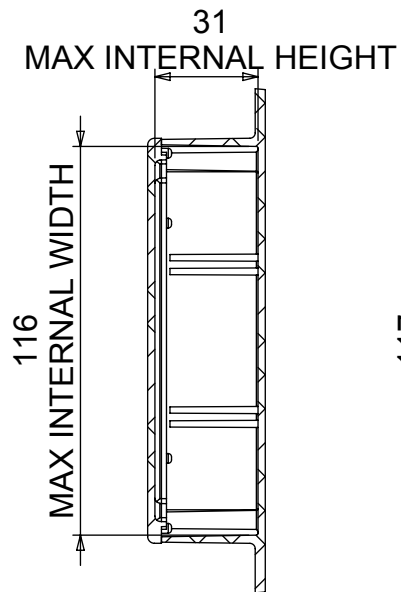
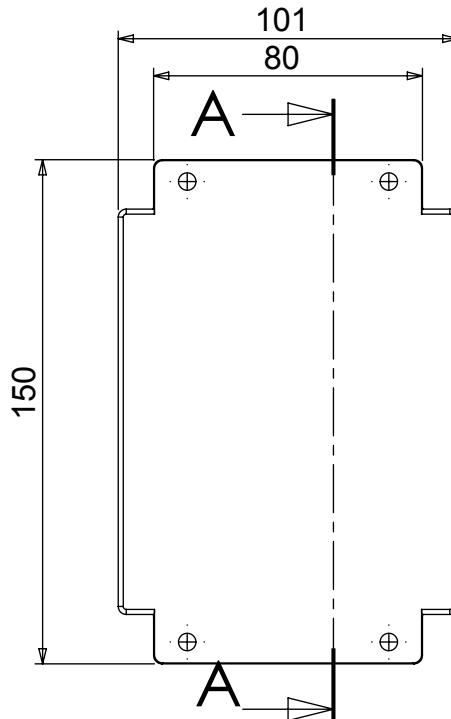
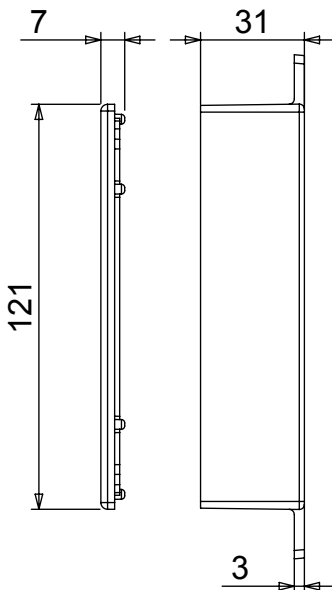
3 4 5

| FLG LENGTH | LENGTH | WIDTH | HEIGHT | SEAL | TORQUE SETTINGS |
|---------------------|--------|-------|--------|----------------------|-----------------|
| 150 | 121 | 101 | 35 | NONE | NONE |
| | | | | IP66 | 0.3Nm |
| | | | | IP68 | 0.7Nm |
| | | | | IP68 EMI/RFI | 1.0Nm |
| BOX DIMENSION IN MM | | | | COLOUR OPTION - COLO | |



STANDARD DUTY ENCLOSURE

- Material grade ADC12/LM2 Die C
- IP Rated available
- Min wall thickness 1.5mm
- Min lid thickness 1.5mm
- Fine textured powder coating an
- Screws stainless steel
- IP68 Tested to 5 metres for 1 hour
- Includes internal PCB guides
- Enclosures can be supplied fully f



+44(0)1724 273200 www.dem-uk.com

PROPRIETARY AND CONFIDENTIAL:
 THE INFORMATION CONTAINED IN THIS DRAWING IS THE SOLE PROPERTY OF ALPHA 3 MANUFACTURING. ANY REPRODUCTION IN PART OR AS A WHOLE WITHOUT THE WRITTEN PERMISSION OF ALPHA 3 MANUFACTURING IS PROHIBITED.
 DEM Manufacturing is a division of Alpha 3 Manufacturing LTD
 DEM Manufacturing, Deltron Emcon House, Hargreaves Way, Sawcliffe Ind. Park, Scunthorpe, North Lincolnshire, DN15 8RF, UK

UNLESS OTHERWISE SPECIFIED DIMENSIONS ARE IN MILLIMETRES
 LINEAR & RADIAL TOLERANCE:
NO DECIMAL PLACES
1 DECIMAL PLACE
2 DECIMAL PLACES
ANGULAR TOLERANCE:

IF IN DOUBT ASK! DO NOT SCALE DRAWING!

| | |
|--|-----------------|
| FINISH | SEE NOTES |
| MATERIAL | ALUMINIUM ALLOY |
| THE FINISHED PRODUCT SHOULD BE CLEAN AND FREE FROM ALL LIQUIDS AND DEBRIS. SURFACES SHOULD BE OF UNIFORM APPEARANCE FREE FROM SHARP EDGES, BURRS AND CORROSION | |

| | |
|----------|-----------------|
| AUTHOR | EDITOR |
| APPROVER | THIRD ANGLE PRO |

X-ON Electronics

Largest Supplier of Electrical and Electronic Components

Click to view similar products for [Enclosures, Boxes & Cases](#) category:

Click to view products by [Deltron](#) manufacturer:

Other Similar products are found below :

[585-R-WH-PK](#) [M-10-PLATED](#) [60221-01](#) [60566-01-000](#) [HPL-9VB BATT DOOR](#) [M18-PLTD](#) [M-21-PLATED](#) [63310-01-000](#) [6711GSKT](#)
[71884-29-028](#) [LH45-100 Black](#) [72868-510-000](#) [CNS-0000 Black](#) [72883-510-000](#) [CNS-0101 Black](#) [72906-510-000](#) [CNS-0407 Black](#) [73092-](#)
[510-000](#) [CNM-0101 Black](#) [73105-510-000](#) [CNL-0101 Black](#) [73108-510-000](#) [CNL-0303 Black](#) [73395-510-039](#) [CNS-0006 Bone](#) [74016-510-000](#)
[CNL-0006 Black](#) [74257-510-000](#) [CNL-0004](#) [MDC-1183-PLAIN-ALUM](#) [MDC-1183-PTD](#) [MDC-13104-PTD](#) [MDC-973-PTD](#) [76](#)
[77153-01-028](#) [FLX6030](#) [83535-01-508](#) [90026-501-000](#) [PS36-200](#) [116-508](#) [120-407](#) [120-910](#) [127-908](#) [130-008](#) [1301170079](#) [1322GSKTEP](#)
[1325GSKT3](#) [138-PLAIN](#) [1434-1210](#) [EAS-500 \(BLACK ANO\)](#) [1804RP-RB-PK](#) [190-005](#) [2202307](#) [KAB3321 BLACK](#) [KAB3421](#) [2697466](#)
[S52213](#) [2901123](#) [2901699](#) [A0645271](#) [A20P20](#) [2106-IR](#)