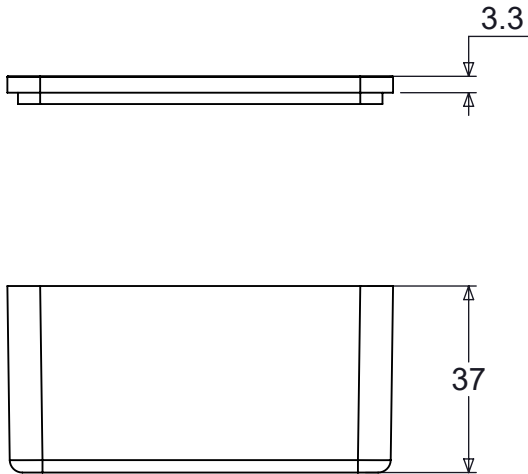
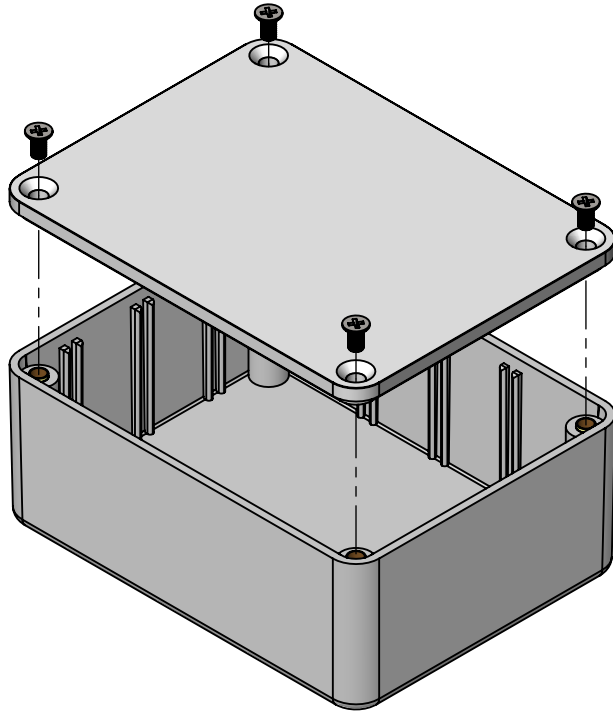


REV	DATE	ECN NUMBER	ECR COMMENT
003	21 Jul 2020	C04677	
002	07 Jul 2020	C04677	ADD RAL COLOURS AND DESCRIPTION

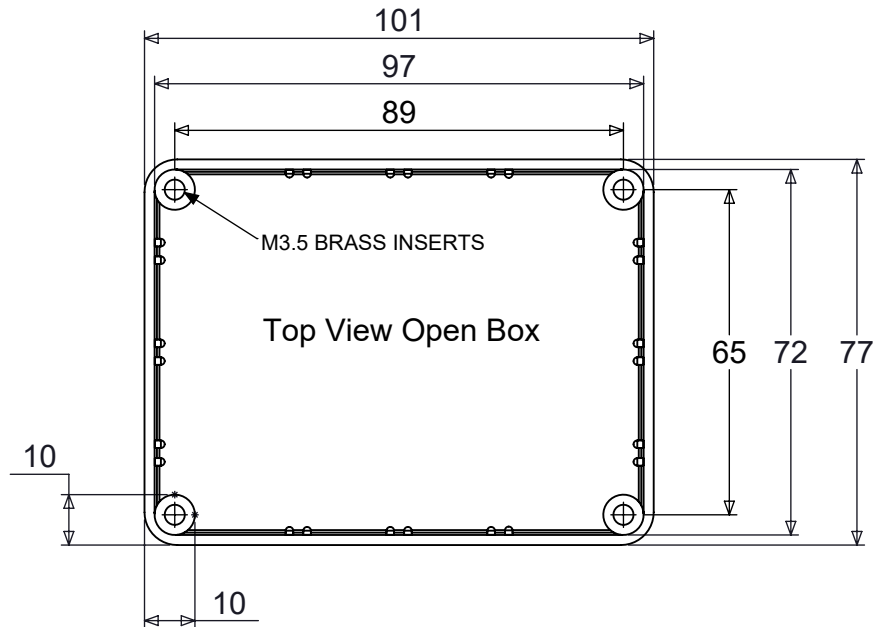


PART NUMBER	COLOUR	RAL No	RAL COLOUR
479-0160-0	CLEAR	N/A	CLEAR
479-0160-1	BLACK	RAL9005	JET BLACK
479-0160-2	BLUE	RAL5002	ULTRAMARINE BLUE
479-0160-3	BROWN	RAL8011	NUT BROWN
479-0160-4	GREEN	RAL6024	TRAFFIC GREEN
479-0160-5	RED	RAL3020	TRAFFIC RED
479-0160-6	WHITE	RAL9003	SIGNAL WHITE
479-0160-7	YELLOW	RAL1021	COLZA YELLOW
479-0160-8	PURPLE	RAL4005	BLUE LILAC
479-0160-9	GREY	RAL7046	TELEGREY2
479-0160-10	ORANGE	RAL2003	PASTEL ORANGE
479-0160-11	CREAM	RAL1015	LIGHT IVORY

- INJECTION MOULDED ENCLOSURE
- DIMENSIONS 101 X 77 X 40
- IMPACT RESISTANT ABS
- IP54 RATED
- ROHS & REACH COMPLIANT
- SMOOTH GLOSSY SURFACE FINISH
- THE LID IS SECURED WITH FOUR M3.5 SCREWS INTO BRASS INSERTS
- EASILY MACHINED

OPTIONAL EXTRAS

Self adhesive feet 12mm round x 4mm deep part no - FIX173
Also available in anti-static material



+44(0)1724 273200
 www.dem-uk.com

PROPRIETARY AND CONFIDENTIAL:
THE INFORMATION CONTAINED IN THIS DRAWING IS THE SOLE PROPERTY OF ALPHA 3 MANUFACTURING. ANY REPRODUCTION IN PART OR AS A WHOLE WITHOUT THE WRITTEN PERMISSION OF ALPHA 3 MANUFACTURING IS PROHIBITED.

DEM Manufacturing is a division of Alpha 3 Manufacturing LTD
DEM Manufacturing, Deltron Emcon House, Hargreaves Way,
Sawcliffe Ind. Park., Scunthorpe, North Lincolnshire, DN15 8RF, UK

UNLESS OTHERWISE SPECIFIED DIMENSIONS ARE IN MILLIMETRES
LINEAR & RADIAL TOLERANCE:
NO DECIMAL PLACES
1 DECIMAL PLACE
2 DECIMAL PLACES
ANGULAR TOLERANCE:

IF IN DOUBT ASK! DO NOT SCALE DRAWING!

FINISH: SMOOTH / GLOSSY

MATERIAL: ABS

THE FINISHED PRODUCT SHOULD BE CLEAN AND FREE FROM ALL LIQUIDS AND DEBRIS. SURFACES SHOULD BE OF UNIFORM APPEARANCE FREE FROM SHARP EDGES, BURRS AND CORROSION

AUTHOR: SB
EDITOR: DT
APPROVER: PA

THIRD ANGLE PROJECTION

SHEET 1 OF 1
SCALE 1:1.5 A4

TITLE: ABS ENCLOSURE
FILE: 479-0160 Specification
PART: LID AND BASE ENCL

ISSUE/REV: 003
RELEASED

EDIT DATE: 20/07/2020
RELEASE DATE: 21/07/2020

X-ON Electronics

Largest Supplier of Electrical and Electronic Components

Click to view similar products for [Enclosures, Boxes & Cases](#) category:

Click to view products by [Deltron](#) manufacturer:

Other Similar products are found below :

[585-R-WH-PK](#) [60221-01](#) [60566-01-000](#) [HPL-9VB BATT DOOR](#) [M18-PLTD](#) [M-21-PLATED](#) [63310-01-000](#) [6711GSKT](#) [71884-29-028](#)
[LH45-100 Black](#) [72868-510-000](#) [CNS-0000 Black](#) [72883-510-000](#) [CNS-0101 Black](#) [72906-510-000](#) [CNS-0407 Black](#) [73092-510-000](#) [CNM-](#)
[0101 Black](#) [73105-510-000](#) [CNL-0101 Black](#) [73108-510-000](#) [CNL-0303 Black](#) [73395-510-039](#) [CNS-0006 Bone](#) [74016-510-000](#) [CNL-0006](#)
[Black](#) [74257-510-000](#) [CNL-0004](#) [MDC-1183-PLAIN-ALUM](#) [MDC-1183-PTD](#) [MDC-13104-PTD](#) [MDC-321-PTD](#) [MDC-973-PTD](#) [76](#)
[77153-01-028](#) [FLX6030](#) [83535-01-508](#) [90026-501-000](#) [PS36-200](#) [116-508](#) [120-407](#) [120-910](#) [127-908](#) [130-008](#) [1301170079](#) [1322GSKTEP](#)
[1325GSKT3](#) [138-PLAIN](#) [1434-1210](#) [EAS-500 \(BLACK ANO\)](#) [1804RP-RB-PK](#) [190-005](#) [2202307](#) [KAB3321 BLACK](#) [KAB3421](#) [2697466](#)
[S52213](#) [2901123](#) [2901699](#) [A0645271](#) [A20P20](#) [2106-IR](#)