

IP68 EMI/RFI General Purpose Enclosures Technical Specification

Enhanced EMI/RFI protection is offered through the incorporation of a semi-conductive sealing mechanism which maintains conductivity between the lid and the enclosure, whilst preventing ingress of dust and water.

15 sizes are available, complete with silicone gasket, captive screws, earth screws and PCB guides on selected sizes. Nine sizes are also available with flanges for easy mounting.

Deltron Enclosures can customise any enclosure in our UK factory, including machining, painting, finishing, component sourcing and installation to meet your specification, save time and cut your costs. View our Services page on our website for more information.



For more information:

Phone: +44 (0)1724 273206

Features:

- Enhanced EMI/RFI Protection
- IP68 Rated
- Manufactured from ADC12
- Certified to BS EN 60529:1992
- Silicone Seal

Typical Applications:

- Marine
- Water Treatment
- Military
- Food Processing
- Aerospace

Available Dimensions:

89 x 35 x 31*	114 x 64 x 31*
114 x 89 x 56*	114 x 65 x 56*
172 x 121 x 56*	172 x 121 x 107*
222 x 146 x 56*	222 x 146 x 107
275 x 175 x 66	140 x 102 x 77*
165 x 127 x 77	120 x 100 x 36*
250 x 250 x 100	80 x 55 x 26
60 x 55 x 31	*= Available with Flanges

Finishes: Plain Aluminium, Powder or Nylon coat.

Coating Colours: Grey, Blue or Black.

Spares: Gaskets and Screws.

Or choose to have your enclosure customised for bespoke finishes and colours.

DEM Manufacturing

Deltron Emcon House,
Hargreaves Way,
Sawcliffe Industrial Park,
Scunthorpe, DN15 8RF.

DELTRON Enclosures 

Web: www.dem-uk.com/deltron-enclosures

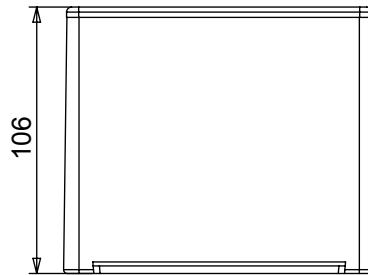
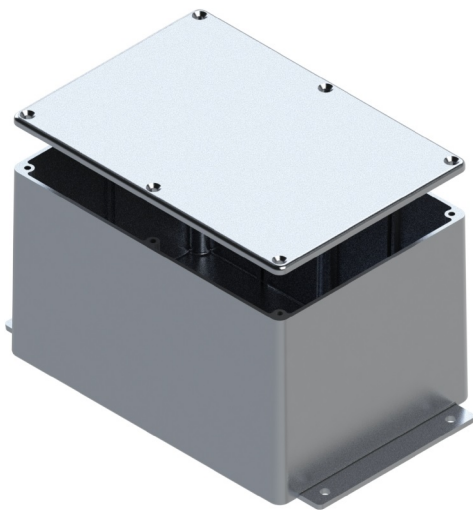
Tel: +44 (0) 1724 273206

Fax: +44 (0) 1724 280353

Email: sales@dem-uk.com

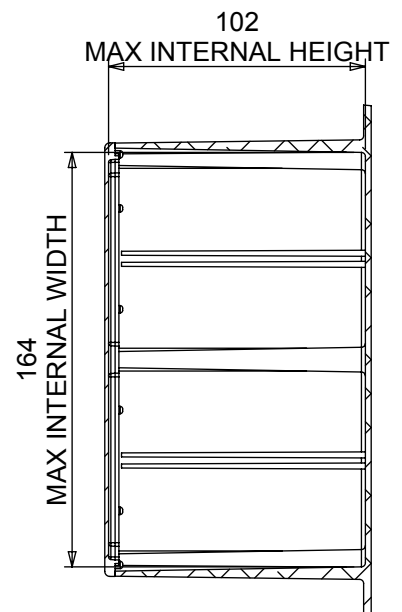
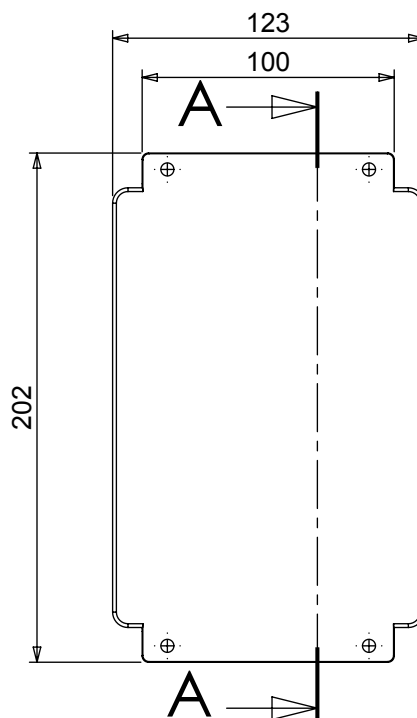
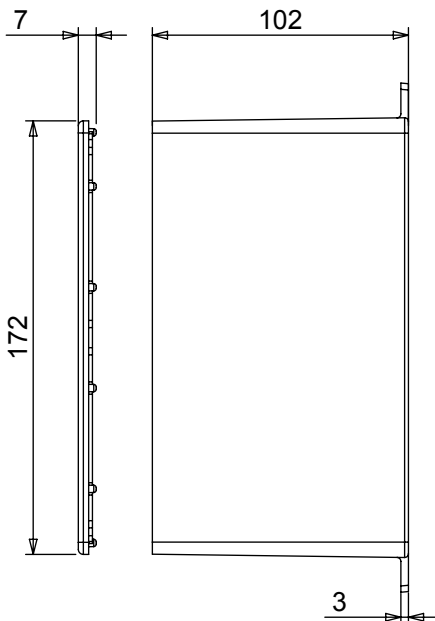
REV	DATE	ECN NUMBER	ECR COMMENT
010	06 Jun 2017	C03614	TORQUE SETTINGS ADDED
009	06 Jun 2017	C03614	TORQUE SETTINGS ADDED

FLG LENGTH	LENGTH	WIDTH	HEIGHT	SEAL	TORQUE SETTINGS
202	174	123	106	NONE	NONE
				IP66	0.3Nm
				IP68	0.7Nm
				IP68 EMI/RFI	1.0Nm
BOX DIMENSION IN MM				COLOUR OPTION - COLO	



STANDARD DUTY ENCLOSURE

- Material grade ADC12/LM2
- IP Rated available
- Min wall thickness 1.5mm
- Min lid thickness 1.5mm
- Fine textured powder coating
- Screws stainless steel
- IP68 Tested to 5 metres for 1
- Includes internal PCB guides
- Enclosures can be supplied f



PROPRIETARY AND CONFIDENTIAL:
 THE INFORMATION CONTAINED IN THIS DRAWING IS THE SOLE PROPERTY OF ALPHA 3 MANUFACTURING. ANY REPRODUCTION IN PART OR AS A WHOLE WITHOUT THE WRITTEN PERMISSION OF ALPHA 3 MANUFACTURING IS PROHIBITED.
 DEM Manufacturing is a division of Alpha 3 Manufacturing LTD
 DEM Manufacturing, Deltron Emcon House, Hargreaves Way, Sawcliffe Ind. Park, Scunthorpe, North Lincolnshire, DN15 8RF, UK

UNLESS OTHERWISE SPECIFIED DIMENSIONS ARE IN MILLIMETRES
 LINEAR & RADIAL TOLERANCE:
NO DECIMAL PLACES
1 DECIMAL PLACE
2 DECIMAL PLACES
ANGULAR TOLERANCE:

IF IN DOUBT ASK! DO NOT SCALE DRAWING!	
FINISH	SEE NOTES
MATERIAL	ALUMINIUM ALLOY
THE FINISHED PRODUCT SHOULD BE CLEAN AND FREE FROM ALL LIQUIDS AND DEBRIS. SURFACES SHOULD BE OF UNIFORM APPEARANCE FREE FROM SHARP EDGES, BURRS AND CORROSION	

AUTHOR	EDITOR	APPROVER	THIRD ANGLE PRO

X-ON Electronics

Largest Supplier of Electrical and Electronic Components

Click to view similar products for [Enclosures, Boxes & Cases](#) *category:*

Click to view products by [Deltron](#) *manufacturer:*

Other Similar products are found below :

[585-R-WH-PK](#) [M-10-PLATED](#) [60221-01](#) [60566-01-000](#) [HPL-9VB BATT DOOR](#) [M18-PLTD](#) [M-21-PLATED](#) [63310-01-000](#) [6711GSKT](#)
[71884-29-028](#) [LH45-100 Black](#) [72868-510-000](#) [CNS-0000 Black](#) [72883-510-000](#) [CNS-0101 Black](#) [72906-510-000](#) [CNS-0407 Black](#) [73092-](#)
[510-000](#) [CNM-0101 Black](#) [73105-510-000](#) [CNL-0101 Black](#) [73108-510-000](#) [CNL-0303 Black](#) [73395-510-039](#) [CNS-0006 Bone](#) [74016-510-000](#)
[CNL-0006 Black](#) [74257-510-000](#) [CNL-0004](#) [MDC-1183-PLAIN-ALUM](#) [MDC-1183-PTD](#) [MDC-13104-PTD](#) [MDC-973-PTD](#) [76](#)
[77153-01-028](#) [FLX6030](#) [83535-01-508](#) [90026-501-000](#) [PS36-200](#) [116-508](#) [120-407](#) [120-910](#) [127-908](#) [130-008](#) [1301170079](#) [1322GSKTEP](#)
[1325GSKT3](#) [138-PLAIN](#) [1434-1210](#) [EAS-500 \(BLACK ANO\)](#) [1804RP-RB-PK](#) [190-005](#) [2202307](#) [KAB3321 BLACK](#) [KAB3421](#) [2697466](#)
[S52213](#) [2901123](#) [2901699](#) [A0645271](#) [A20P20](#) [2106-IR](#)