

Heavy Duty Low Cost Enclosures

Technical Specification

Deltron's entry level Heavy Duty Low Cost enclosure is ideal for robust applications where moisture or dust ingress protection is not critical to the performance of the electronics housed inside.

In line with our IP rated Heavy Duty enclosures these are supplied with DIN rail stand-offs, base plate mounting kits and internal earth points.

We also offer a full enclosure build service.

Full technical specification attached



Call us on:

Tel: +44 (0)1724 273200

Features:

- Supplied complete with lid, captive screws and earth screws
- PCB card guides and stand-offs
- DIN rail mounting points

Typical Applications:

- Industrial Controls
- Security
- Transportation

Standard Sizes Available:

125 x 125 x 80	220 x 120 x 80
125 x 125 x 90	220 x 120 x 90
130 x 80 x 60	260 x 160 x 90
160 x 160 x 90	260 x 160 x 120

Standard Finishes Available:

Plain
Powder Coated
Nylon Coated

DEM Manufacturing

Deltron Emcon House
Hargreaves Way, Sawcliffe Industrial Park
Scunthorpe, North Lincolnshire
DN15 8RF



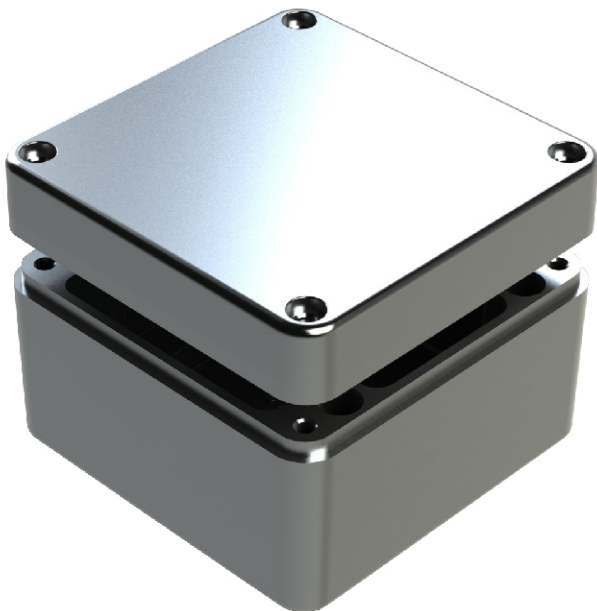
Tel: 44 (0) 1724 273200

Fax: 44 (0) 1724 280353

Email: sales@dem-uk.com

Web: www.dem-uk.com/deltron-enclosures

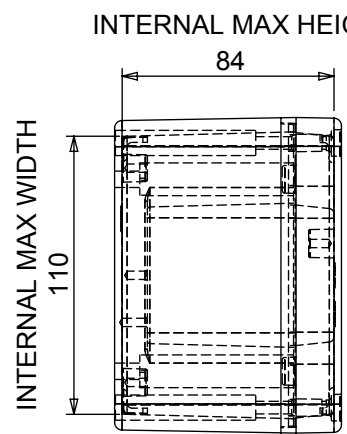
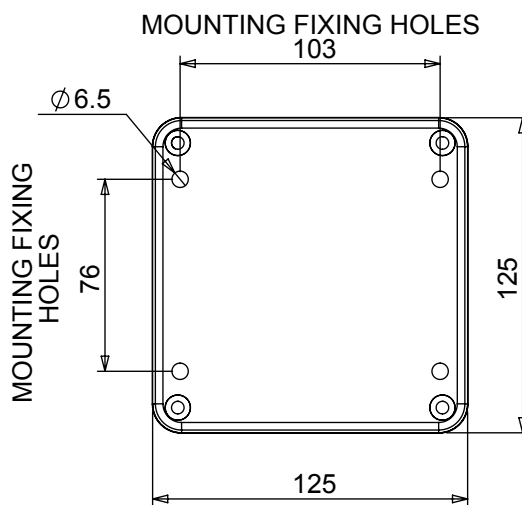
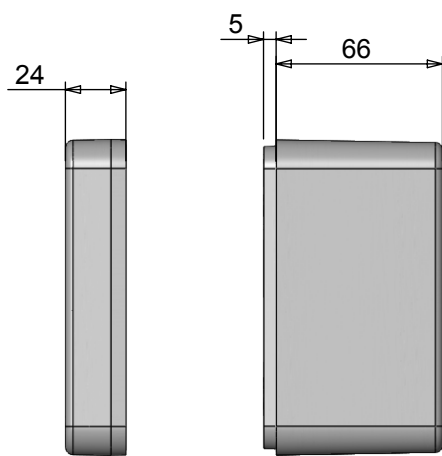
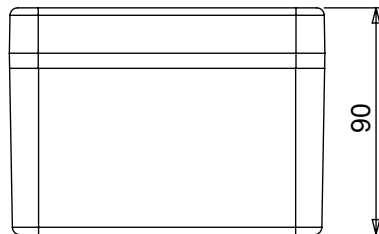
REV	DATE	ECN NUMBER	ECR COMMENT
003	24 Apr 2019	C04181	UPDATE BORDER, REMOVE UK ADD CHINA, AMEND TEXT



LENGTH	WIDTH	HEIGHT	UN-PAINTED
125	125	90	486-121209
Box Dimensions in mm			Colour Options -

DIE CAST ALUMINIUM

- Min enclosure wa
- Min enclosure lid
- PCB maximum di
- Enclosures can be
- Made in China.



X-ON Electronics

Largest Supplier of Electrical and Electronic Components

Click to view similar products for [Enclosures, Boxes & Cases](#) category:

Click to view products by [Deltron](#) manufacturer:

Other Similar products are found below :

[585-R-WH-PK](#) [M-10-PLATED](#) [60221-01](#) [60566-01-000](#) [HPL-9VB BATT DOOR](#) [M18-PLTD](#) [M-21-PLATED](#) [63310-01-000](#) [6711GSKT](#)
[71884-29-028](#) [LH45-100 Black](#) [72868-510-000](#) [CNS-0000 Black](#) [72883-510-000](#) [CNS-0101 Black](#) [72906-510-000](#) [CNS-0407 Black](#) [73092-](#)
[510-000](#) [CNM-0101 Black](#) [73105-510-000](#) [CNL-0101 Black](#) [73108-510-000](#) [CNL-0303 Black](#) [73395-510-039](#) [CNS-0006 Bone](#) [74016-510-000](#)
[CNL-0006 Black](#) [74257-510-000](#) [CNL-0004](#) [MDC-1183-PLAIN-ALUM](#) [MDC-1183-PTD](#) [MDC-13104-PTD](#) [MDC-973-PTD](#) [76](#)
[77153-01-028](#) [FLX6030](#) [83535-01-508](#) [90026-501-000](#) [PS36-200](#) [116-508](#) [120-407](#) [120-910](#) [127-908](#) [130-008](#) [1301170079](#) [1322GSKTEP](#)
[1325GSKT3](#) [138-PLAIN](#) [1434-1210](#) [EAS-500 \(BLACK ANO\)](#) [1804RP-RB-PK](#) [190-005](#) [2202307](#) [KAB3321 BLACK](#) [KAB3421](#) [2697466](#)
[S52213](#) [2901123](#) [2901699](#) [A0645271](#) [A20P20](#) [2106-IR](#)