

# IP66 Heavy Duty Enclosures Technical Specification

This series has been designed for resistance to tougher environments where a hardwearing box, combined with ingress protection may be required.

Sealed to IP66, they are dust proof, splash proof and protected from powerful jets of water. Eight sizes are available comprising PCB guides, DIN rail mounting points, lid, seal, captive screws and earth screws.

The range can be finished in plain aluminium, or painted and coated for added resistance to abrasion, oils, corrosion and diluted acids.



**For more information:**

Phone: +44 (0)1724 273206

## Features:

- IP66 (BS EN 60529:1992)
- Heavy Duty
- Manufactured from LM2/LM24
- RoHS Compliant

## Typical Applications:

- Test & Measurement Equipment
- CCTV/Surveillance Tools
- Traffic Management Equipment
- Water Treatment

## Available Dimensions:

125 x 125 x 80mm	220 x 120 x 80mm
125 x 125 x 90mm	220 x 120 x 90mm
130 x 80 x 60mm	260 x 160 x 90mm
160 x 160 x 90mm	260 x 160 x 120mm

**Finishes:** Plain Aluminium, Powder or Nylon Coat

**Colours:** Grey, Blue or Black when a powder or nylon coating is selected.

**Customisation:** We can machine and customise the enclosures to meet your specification.

- Visit our website for a complete services list.

## DEM Manufacturing

Deltron Emcon House

Hargreaves Way, Sawcliffe Industrial Park

Scunthorpe, North Lincolnshire

DN15 8RF



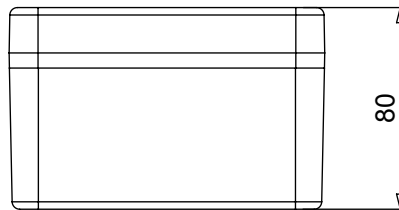
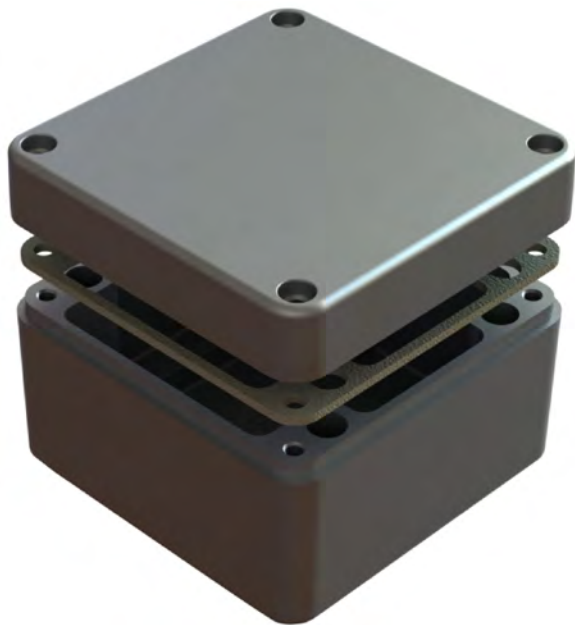
Tel: 44 (0) 1724 273200

Email: sales@dem-uk.com

Web: www.dem-uk.com/deltron-enclosures

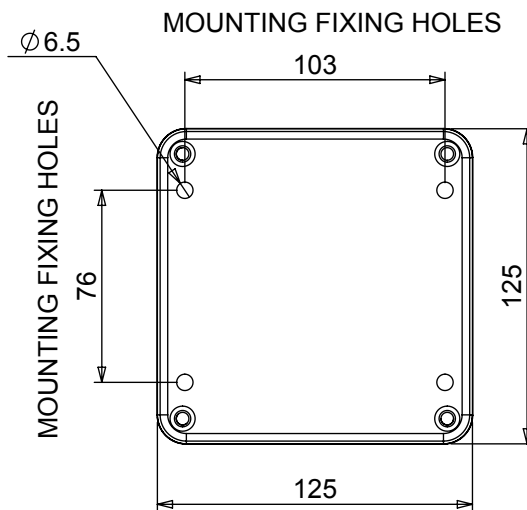
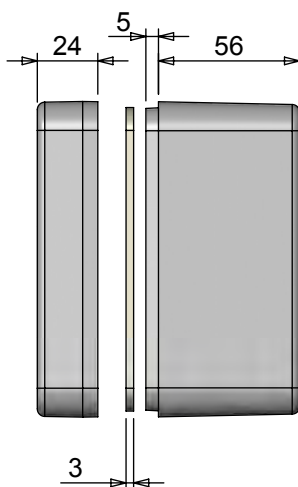
REV	DATE	ECN NUMBER	ECR COMMENT
007	06 Jun 2017	4833/4835	REMOVE TOLERANCES
006	05 Jun 2017	4833/4835	CHANGE MADE IN UK TEXT TO MADE IN CHINA

Length	Width	Height	Un-Painted	Part No
125	125	80	486-121208-66	486-121208-66
Box Dimensions in mm			Colour Option - Colour s	

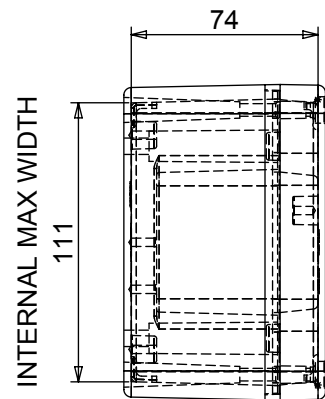


DIE CAST ALUMINIUM ENCLOSURE  
BS EN 60529:1992 IP66, I

- 3mm One piece Die Cast Aluminium
- Seal has Self Adhesive Backing
- Max operating temperature 240 °c.
- Min seal thickness 3mm
- Min enclosure wall thickness 3mm
- Min enclosure lid thickness 3mm
- PCB maximum dimensions 100x100mm
- Enclosures can be used for outdoor applications
- Made in the China
- Clean seal face using alcohol
- the seal, only require a screwdriver



INTERNAL MAX HEIGHT



## X-ON Electronics

Largest Supplier of Electrical and Electronic Components

*Click to view similar products for [Enclosures, Boxes & Cases](#) category:*

*Click to view products by [Deltron](#) manufacturer:*

Other Similar products are found below :

[585-R-WH-PK](#) [M-10-PLATED](#) [60221-01](#) [60566-01-000](#) [HPL-9VB BATT DOOR](#) [M18-PLTD](#) [M-21-PLATED](#) [63310-01-000](#) [6711GSKT](#)  
[71884-29-028](#) [LH45-100 Black](#) [72868-510-000](#) [CNS-0000 Black](#) [72883-510-000](#) [CNS-0101 Black](#) [72906-510-000](#) [CNS-0407 Black](#) [73092-](#)  
[510-000](#) [CNM-0101 Black](#) [73105-510-000](#) [CNL-0101 Black](#) [73108-510-000](#) [CNL-0303 Black](#) [73395-510-039](#) [CNS-0006 Bone](#) [74016-510-000](#)  
[CNL-0006 Black](#) [74257-510-000](#) [CNL-0004](#) [MDC-1183-PLAIN-ALUM](#) [MDC-1183-PTD](#) [MDC-13104-PTD](#) [MDC-973-PTD](#) [76](#)  
[77153-01-028](#) [FLX6030](#) [83535-01-508](#) [90026-501-000](#) [PS36-200](#) [116-508](#) [120-407](#) [120-910](#) [127-908](#) [130-008](#) [1301170079](#) [1322GSKTEP](#)  
[1325GSKT3](#) [138-PLAIN](#) [1434-1210](#) [EAS-500 \(BLACK ANO\)](#) [1804RP-RB-PK](#) [190-005](#) [2202307](#) [KAB3321 BLACK](#) [KAB3421](#) [2697466](#)  
[S52213](#) [2901123](#) [2901699](#) [A0645271](#) [A20P20](#) [2106-IR](#)