

# IP66 Heavy Duty Enclosures Technical Specification

This series has been designed for resistance to tougher environments where a hardwearing box, combined with ingress protection may be required.

Sealed to IP66, they are dust proof, splash proof and protected from powerful jets of water. Eight sizes are available comprising PCB guides, DIN rail mounting points, lid, seal, captive screws and earth screws.

The range can be finished in plain aluminium, or painted and coated for added resistance to abrasion, oils, corrosion and diluted acids.



**For more information:**

Phone: +44 (0)1724 273206

## Features:

- IP66 (BS EN 60529:1992)
- Heavy Duty
- Manufactured from LM2/LM24
- RoHS Compliant

## Typical Applications:

- Test & Measurement Equipment
- CCTV/Surveillance Tools
- Traffic Management Equipment
- Water Treatment

## Available Dimensions:

125 x 125 x 80mm	220 x 120 x 80mm
125 x 125 x 90mm	220 x 120 x 90mm
130 x 80 x 60mm	260 x 160 x 90mm
160 x 160 x 90mm	260 x 160 x 120mm

**Finishes:** Plain Aluminium, Powder or Nylon Coat

**Colours:** Grey, Blue or Black when a powder or nylon coating is selected.

**Customisation:** We can machine and customise the enclosures to meet your specification.

- Visit our website for a complete services list.

## DEM Manufacturing

Deltron Emcon House

Hargreaves Way, Sawcliffe Industrial Park

Scunthorpe, North Lincolnshire

DN15 8RF

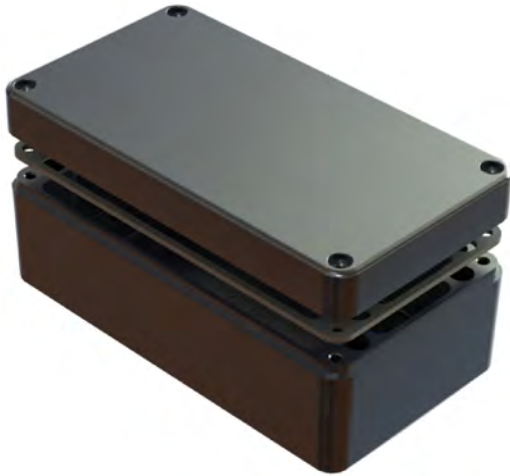


Tel: 44 (0) 1724 273200

Email: [sales@dem-uk.com](mailto:sales@dem-uk.com)

Web: [www.dem-uk.com/deltron-enclosures](http://www.dem-uk.com/deltron-enclosures)

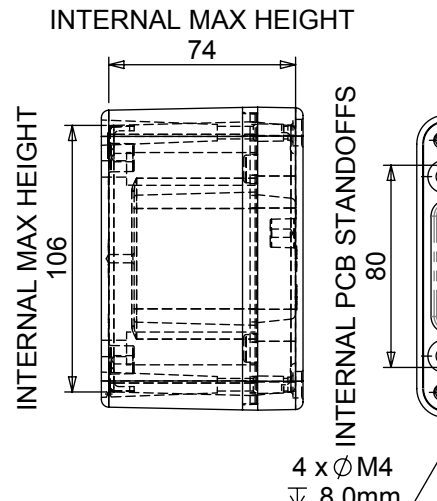
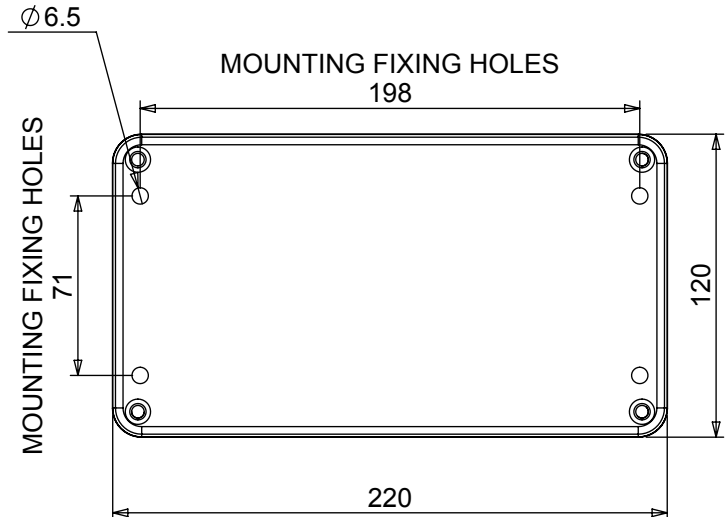
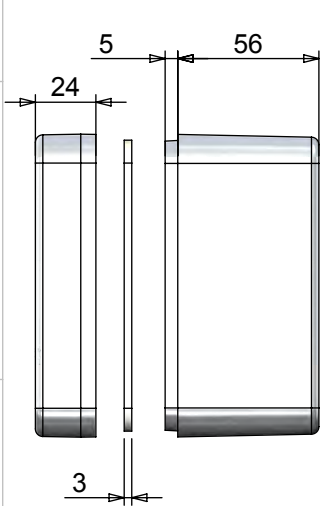
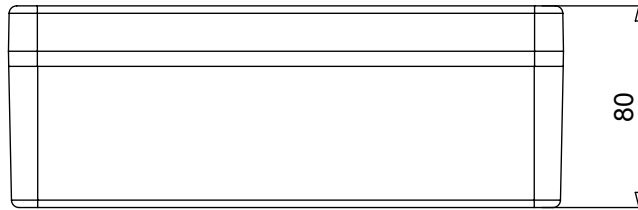
REV	DATE	ECN NUMBER	ECR COMMENT
007	06 Jun 2017	4833/4835	 
006	05 Jun 2017	4833/4835	CHANGE MADE IN UK TEXT TO MADE IN CHINA



Length	Width	Height	Un-Painted
220	120	80	486-221208-66
Box Dimensions in mm			Colour Option - Colour

DIE CAST ALUMINIUM ENCLOSURE  
BS EN 60529:1992 IP66, IP67

- 3mm One piece Die cut Seal
- Seal has Self Adhesive Backing
- Min seal thickness 3.0mm
- Min enclosure wall thickness 3.0mm
- Min enclosure lid thickness 3.0mm
- PCB maximum dimension 106mm
- Enclosures can be supplied with or without PCB standoffs
- Made in the China.
- Clean seal face using toluene
- Seal, only required on unsealed enclosure



+44(0)1724 273200      www.dem-uk.com

**PROPRIETARY AND CONFIDENTIAL:**  
 THE INFORMATION CONTAINED IN THIS DRAWING IS THE SOLE PROPERTY OF ALPHA 3 MANUFACTURING. ANY REPRODUCTION IN PART OR AS A WHOLE WITHOUT THE WRITTEN PERMISSION OF ALPHA 3 MANUFACTURING IS PROHIBITED.

DEM Manufacturing is a division of Alpha 3 Manufacturing LTD  
 DEM Manufacturing, Deltron Emcon House, Hargreaves Way, Sawcliffe Ind. Park, Scunthorpe, North Lincolnshire, DN15 8RF, UK

UNLESS OTHERWISE SPECIFIED DIMENSIONS ARE IN MILLIMETRES  
 LINEAR & RADIAL TOLERANCE:  
**NO DECIMAL PLACES**  
**1 DECIMAL PLACE**  
**2 DECIMAL PLACES**  
**ANGULAR TOLERANCE:**

**IF IN DOUBT ASK! DO NOT SCALE DRAWING!**

FINISH	SEE NOTES
MATERIAL	LM24 / LM2
THE FINISHED PRODUCT SHOULD BE CLEAN AND FREE FROM ALL LIQUIDS AND DEBRIS. SURFACES SHOULD BE OF UNIFORM APPEARANCE FREE FROM SHARP EDGES, BURRS AND CORROSION	

AUTHOR  
 EDITOR  
 APPROVER  
 THIRD ANGLE PROJECTION

## X-ON Electronics

Largest Supplier of Electrical and Electronic Components

*Click to view similar products for [Enclosures, Boxes & Cases](#) category:*

*Click to view products by [Deltron](#) manufacturer:*

Other Similar products are found below :

[585-R-WH-PK](#) [M-10-PLATED](#) [60221-01](#) [60566-01-000](#) [HPL-9VB BATT DOOR](#) [M18-PLTD](#) [M-21-PLATED](#) [63310-01-000](#) [6711GSKT](#)  
[71884-29-028](#) [LH45-100 Black](#) [72868-510-000](#) [CNS-0000 Black](#) [72883-510-000](#) [CNS-0101 Black](#) [72906-510-000](#) [CNS-0407 Black](#) [73092-](#)  
[510-000](#) [CNM-0101 Black](#) [73105-510-000](#) [CNL-0101 Black](#) [73108-510-000](#) [CNL-0303 Black](#) [73395-510-039](#) [CNS-0006 Bone](#) [74016-510-000](#)  
[CNL-0006 Black](#) [74257-510-000](#) [CNL-0004](#) [MDC-1183-PLAIN-ALUM](#) [MDC-1183-PTD](#) [MDC-13104-PTD](#) [MDC-973-PTD](#) [76](#)  
[77153-01-028](#) [FLX6030](#) [83535-01-508](#) [90026-501-000](#) [PS36-200](#) [116-508](#) [120-407](#) [120-910](#) [127-908](#) [130-008](#) [1301170079](#) [1322GSKTEP](#)  
[1325GSKT3](#) [138-PLAIN](#) [1434-1210](#) [EAS-500 \(BLACK ANO\)](#) [1804RP-RB-PK](#) [190-005](#) [2202307](#) [KAB3321 BLACK](#) [KAB3421](#) [2697466](#)  
[S52213](#) [2901123](#) [2901699](#) [A0645271](#) [A20P20](#) [2106-IR](#)