

# IP68 Heavy Duty Enclosures Technical Specification

This series has been designed for resistance to tougher environments where a hardwearing box, combined with ingress protection may be required.

Sealed to IP68, they offer the best protection against water ingress, having been tested to a depth of 10m for 20 hours. Eight sizes are available comprising PCB guides, DIN rail mounting points, lid, seal, captive screws and earth screws.

The range can be finished in plain aluminium, or painted and coated for added resistance to abrasion, oils, corrosion and diluted acids.



**For more information:**

Phone: +44 (0)1724 273206

## Features:

- IP68 (BS EN 60529:1992)
- Heavy Duty
- Manufactured from LM2/LM24
- RoHS Compliant

## Typical Applications:

- Test & Measurement Equipment
- CCTV/Surveillance Tools
- Traffic Management Equipment
- Water Treatment

## Available Dimensions:

|                  |                   |
|------------------|-------------------|
| 125 x 125 x 80mm | 220 x 120 x 80mm  |
| 125 x 125 x 90mm | 220 x 120 x 90mm  |
| 130 x 80 x 60mm  | 260 x 160 x 90mm  |
| 160 x 160 x 90mm | 260 x 160 x 120mm |

**Finishes:** Plain Aluminium, Powder or Nylon Coat

**Colours:** Grey, Blue or Black when a powder or nylon coating is selected.

**Customisation:** We can machine and customise the enclosures to meet your specification.

- Visit our website for a complete services list.

**DEM Manufacturing**  
Deltron Emcon House,  
Hargreaves Way,  
Sawcliffe Industrial Park,  
Scunthorpe, DN15 8RF.

**DELTRON** Enclosures 

Web: [www.dem-uk.com/deltron-enclosures](http://www.dem-uk.com/deltron-enclosures)

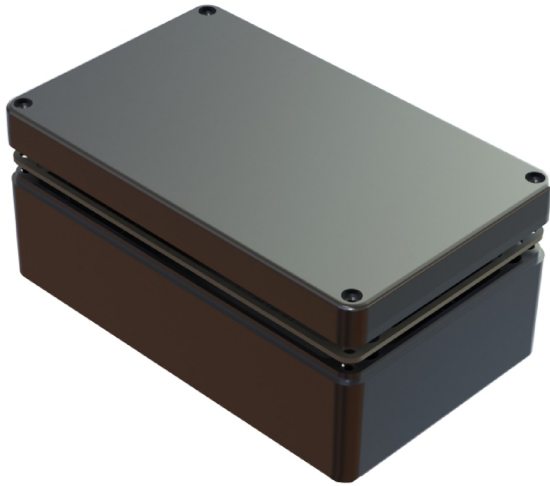
Tel: +44 (0) 1724 273206

Fax: +44 (0) 1724 280353

Email: [sales@dem-uk.com](mailto:sales@dem-uk.com)

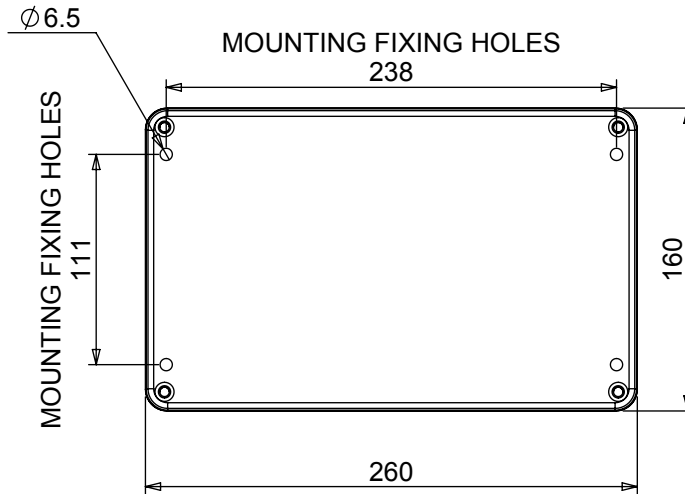
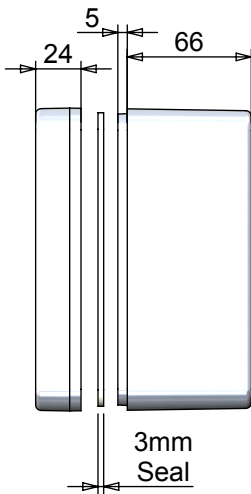
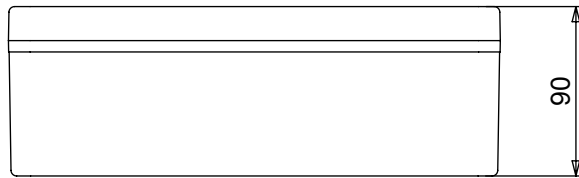
| REV | DATE        | ECN NUMBER | ECR COMMENT                             |
|-----|-------------|------------|-----------------------------------------|
| 007 | 06 Jun 2017 | 4833/4835  |                                         |
| 006 | 05 Jun 2017 | 4833/4835  | CHANGE MADE IN UK TEXT TO MADE IN CHINA |

| Length               | Width | Height | Un-Painted          |
|----------------------|-------|--------|---------------------|
| 260                  | 160   | 90     | 486-261609-68       |
| Box Dimensions in mm |       |        | Colour Option - Col |

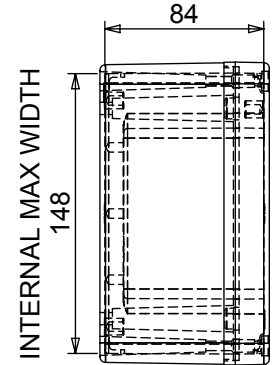


**DIE CAST ALUMINIUM ENCL**  
BS EN 60529:1992 IP66, IP67

- 3mm One piece Die cu
- Seal has Self Adhesive
- Min seal thickness 3.0r
- Min enclosure wall thic
- Min enclosure lid thick
- PCB maximum dimensi
- Enclosures can be supp
- Made in the China.
- Clean seal face using to
- the seal, only required



**INTERNAL MAX HEIGHT**



**INTERNAL PCB STANDOFFS**  
120mm  
4X Ø M6  
8.0mm

## X-ON Electronics

Largest Supplier of Electrical and Electronic Components

*Click to view similar products for [Enclosures, Boxes & Cases](#) category:*

*Click to view products by [Deltron](#) manufacturer:*

Other Similar products are found below :

[585-R-WH-PK](#) [M-10-PLATED](#) [60221-01](#) [60566-01-000](#) [HPL-9VB BATT DOOR](#) [M18-PLTD](#) [M-21-PLATED](#) [63310-01-000](#) [6711GSKT](#)  
[71884-29-028](#) [LH45-100 Black](#) [72868-510-000](#) [CNS-0000 Black](#) [72883-510-000](#) [CNS-0101 Black](#) [72906-510-000](#) [CNS-0407 Black](#) [73092-](#)  
[510-000](#) [CNM-0101 Black](#) [73105-510-000](#) [CNL-0101 Black](#) [73108-510-000](#) [CNL-0303 Black](#) [73395-510-039](#) [CNS-0006 Bone](#) [74016-510-000](#)  
[CNL-0006 Black](#) [74257-510-000](#) [CNL-0004](#) [MDC-1183-PLAIN-ALUM](#) [MDC-1183-PTD](#) [MDC-13104-PTD](#) [MDC-973-PTD](#) [76](#)  
[77153-01-028](#) [FLX6030](#) [83535-01-508](#) [90026-501-000](#) [PS36-200](#) [116-508](#) [120-407](#) [120-910](#) [127-908](#) [130-008](#) [1301170079](#) [1322GSKTEP](#)  
[1325GSKT3](#) [138-PLAIN](#) [1434-1210](#) [EAS-500 \(BLACK ANO\)](#) [1804RP-RB-PK](#) [190-005](#) [2202307](#) [KAB3321 BLACK](#) [KAB3421](#) [2697466](#)  
[S52213](#) [2901123](#) [2901699](#) [A0645271](#) [A20P20](#) [2106-IR](#)