

IP68 Heavy Duty Enclosures Technical Specification

This series has been designed for resistance to tougher environments where a hardwearing box, combined with ingress protection may be required.

Sealed to IP68, they offer the best protection against water ingress, having been tested to a depth of 10m for 20 hours. Eight sizes are available comprising PCB guides, DIN rail mounting points, lid, seal, captive screws and earth screws.

The range can be finished in plain aluminium, or painted and coated for added resistance to abrasion, oils, corrosion and diluted acids.



For more information:

Phone: +44 (0)1724 273206

Features:

- IP68 (BS EN 60529:1992)
- Heavy Duty
- Manufactured from LM2/LM24
- RoHS Compliant

Typical Applications:

- Test & Measurement Equipment
- CCTV/Surveillance Tools
- Traffic Management Equipment
- Water Treatment

Available Dimensions:

125 x 125 x 80mm	220 x 120 x 80mm
125 x 125 x 90mm	220 x 120 x 90mm
130 x 80 x 60mm	260 x 160 x 90mm
160 x 160 x 90mm	260 x 160 x 120mm

Finishes: Plain Aluminium, Powder or Nylon Coat

Colours: Grey, Blue or Black when a powder or nylon coating is selected.

Customisation: We can machine and customise the enclosures to meet your specification.

- Visit our website for a complete services list.

DEM Manufacturing
Deltron Emcon House,
Hargreaves Way,
Sawcliffe Industrial Park,
Scunthorpe, DN15 8RF.

DELTRON Enclosures 

Web: www.dem-uk.com/deltron-enclosures

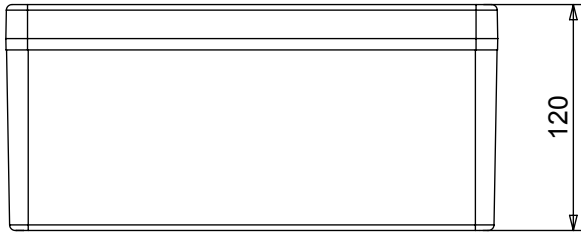
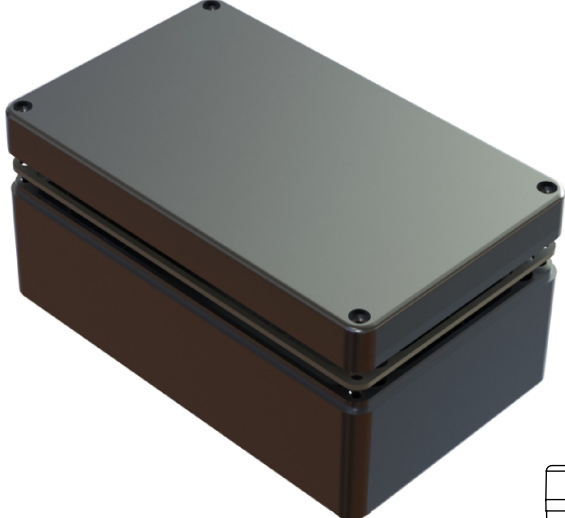
Tel: +44 (0) 1724 273206

Fax: +44 (0) 1724 280353

Email: sales@dem-uk.com

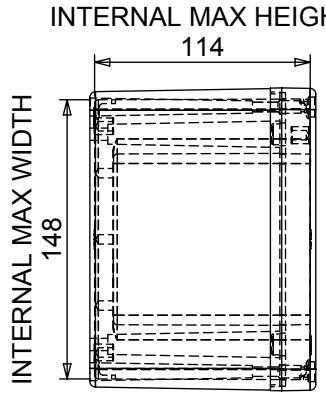
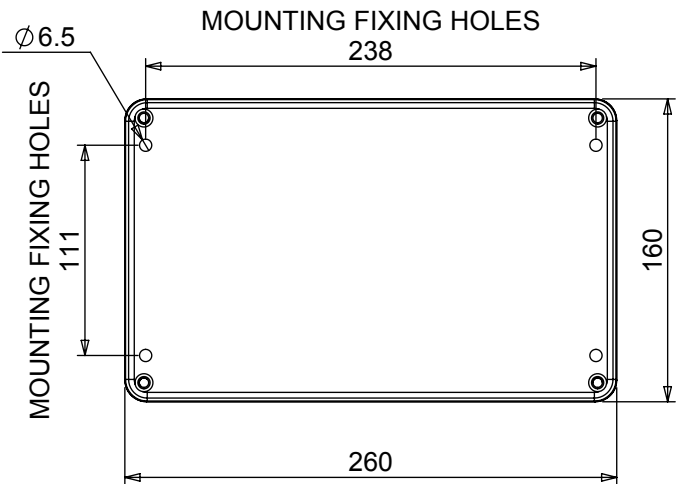
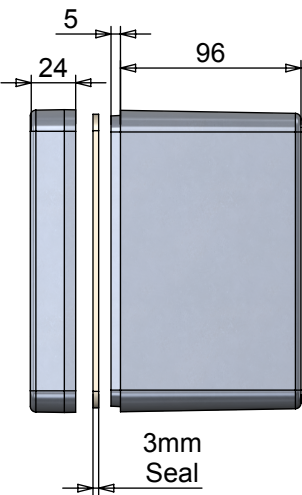
REV	DATE	ECN NUMBER	ECR COMMENT
007	06 Jun 2017	4833/4835	
006	05 Jun 2017	4833/4835	CHANGE MADE IN UK TEXT TO MADE IN CHINA

Length	Width	Height	Un-Painted
260	160	120	486-261612-68
Box Dimensions in mm			Colour Option - Colour



DIE CAST ALUMINIUM ENCLOSURE
BS EN 60529:1992 IP66, IP67

- 3mm One piece Die cast seal
- Seal has Self Adhesive
- 240 °c.
- Min seal thickness 3.0mm
- Min enclosure wall thickness 1.5mm
- Min enclosure lid thickness 1.5mm
- PCB maximum dimensions 114mm x 148mm
- Enclosures can be supplied with 4x mounting holes
- Made in the China.
- Clean seal face using alcohol
- the seal, only requires 10 minutes



INTERNAL PCB STANDOFFS
4X Ø M3
↓ 8.0mm

DELTRON Components | **b.e.s. DEM** | **Alpha 3 manufacturing**

DELTRON Enclosures | **ROXBURGH EMC**

+44(0)1724 273200 | www.dem-uk.com

PROPRIETARY AND CONFIDENTIAL:
THE INFORMATION CONTAINED IN THIS DRAWING IS THE SOLE PROPERTY OF ALPHA 3 MANUFACTURING. ANY REPRODUCTION IN PART OR AS A WHOLE WITHOUT THE WRITTEN PERMISSION OF ALPHA 3 MANUFACTURING IS PROHIBITED.

DEM Manufacturing is a division of Alpha 3 Manufacturing LTD
DEM Manufacturing, Deltron Emcon House, Hargreaves Way, Sawcliffe Ind. Park, Scunthorpe, North Lincolnshire, DN15 8RF, UK

UNLESS OTHERWISE SPECIFIED DIMENSIONS ARE IN MILLIMETRES
LINEAR & RADIAL TOLERANCE:
NO DECIMAL PLACES
1 DECIMAL PLACE
2 DECIMAL PLACES
ANGULAR TOLERANCE:

IF IN DOUBT ASK! DO NOT SCALE DRAWING!	
FINISH	SEE NOTES
MATERIAL	LM24 / LM2
THE FINISHED PRODUCT SHOULD BE CLEAN AND FREE FROM ALL LIQUIDS AND DEBRIS. SURFACES SHOULD BE OF UNIFORM APPEARANCE FREE FROM SHARP EDGES, BURRS AND CORROSION	

AUTHOR
EDITOR
APPROVER
THIRD ANGLE PROJECTION

X-ON Electronics

Largest Supplier of Electrical and Electronic Components

Click to view similar products for [Enclosures, Boxes & Cases](#) category:

Click to view products by [Deltron](#) manufacturer:

Other Similar products are found below :

[585-R-WH-PK](#) [M-10-PLATED](#) [60221-01](#) [60566-01-000](#) [HPL-9VB BATT DOOR](#) [M18-PLTD](#) [M-21-PLATED](#) [63310-01-000](#) [6711GSKT](#)
[71884-29-028](#) [LH45-100 Black](#) [72868-510-000](#) [CNS-0000 Black](#) [72883-510-000](#) [CNS-0101 Black](#) [72906-510-000](#) [CNS-0407 Black](#) [73092-](#)
[510-000](#) [CNM-0101 Black](#) [73105-510-000](#) [CNL-0101 Black](#) [73108-510-000](#) [CNL-0303 Black](#) [73395-510-039](#) [CNS-0006 Bone](#) [74016-510-000](#)
[CNL-0006 Black](#) [74257-510-000](#) [CNL-0004](#) [MDC-1183-PLAIN-ALUM](#) [MDC-1183-PTD](#) [MDC-13104-PTD](#) [MDC-321-PTD](#) [MDC-973-PTD](#)
[76](#) [77153-01-028](#) [FLX6030](#) [83535-01-508](#) [90026-501-000](#) [PS36-200](#) [116-508](#) [120-407](#) [120-910](#) [127-908](#) [130-008](#) [1301170079](#)
[1322GSKTEP](#) [1325GSKT3](#) [138-PLAIN](#) [1434-1210](#) [EAS-500 \(BLACK ANO\)](#) [1804RP-RB-PK](#) [190-005](#) [2202307](#) [KAB3321 BLACK](#)
[KAB3421](#) [2697466](#) [S52213](#) [2901123](#) [2901699](#) [A0645271](#) [A20P20](#)