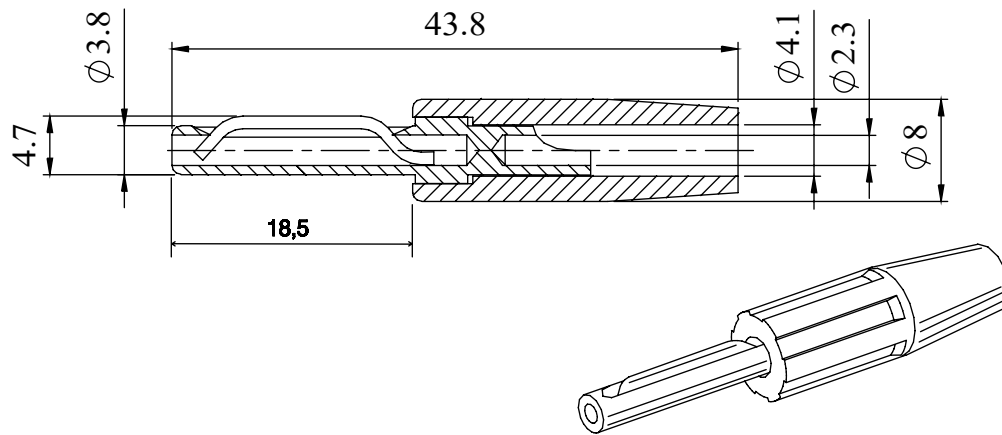


STANDARD 4mm PLUG

Rigid screw on acetal body which comes in a range of standard colours for easy identification. This range of products caters for a broad range of test instrumentation and speaker applications. The plug pin comes with a solder bucket for secure cable fixing. Custom colours can be supplied ask sales for further details

Dimensions



550 PART INFORMATION

MATERIAL		
HOUSING	ACETAL	VARIOUS COLOURS
PLUG BODY	BRASS	SILVER PLATED
SPRING	STAINLESS STEEL, SPRING STEEL	SELF COLOUR
ELECTRICAL		
AMPS	10A	
NOMINAL WORKING VOLTAGE	50V	
CONTACT RESISTANCE	10mΩ	
TEMPERATURE RANGE	-20°C to +110°C	
RECOMMENDED TEMPERATURE	10A at 55°C	
VOLTAGE BREAKDOWN	5000V	
RECOMMENDED CONDUCTOR SIZE	1.5mm ²	
PART NUMBER	COLOUR	
550-0100	BLACK	
550-0200	BLUE	
550-0300	BROWN	
550-0400	GREEN	
550-0500	RED	
550-0600	WHITE	
550-0700	YELLOW	

X-ON Electronics

Largest Supplier of Electrical and Electronic Components

Click to view similar products for [Test Plugs & Test Jacks](#) category:

Click to view products by [Deltron](#) manufacturer:

Other Similar products are found below :

[01-2601-4-0210](#) [01-2601-4-0212](#) [01-2604-4-0212](#) [01-2604-5-0210](#) [01-2150-1-0312](#) [01-2350-1-02](#) [01-2352-1-02](#) [01-2368-1-02](#) [01-2604-4-0210](#) [01-2604-5-0212](#) [01-2606-4-0210](#) [01-2606-4-0212](#) [01-2606-5-0212](#) [M39024/10-01G](#) [M39024/10-17G](#) [M39024/11-09G](#) [M39024/11-42](#) [M39024/11-43](#) [M39024/12-08](#) [707-5311](#) [707-5402-01-19](#) [707-5410](#) [923739-40-I](#) [R644543000](#) [R948161000](#) [R999351000](#) [1408-4](#) [1499-101](#) [1533-1](#) [1659559](#) [1659567](#) [1663921](#) [1663939](#) [1696-102](#) [174-R825B-EX](#) [NYS508-BU](#) [NYS508-O](#) [211-101](#) [RS100GBL](#) [RS250GBL](#) [251-102](#) [25-2251-2-03](#) [25-2259-2-03](#) [923743-16-I](#) [923743-24-I](#) [923743-28-I](#) [2854-BLU](#) [2970-BLK](#) [30-443G](#) [1680](#)