

REV 008	DATE 15 Mar 2018	ECN NUMBER C03732	ECB COMMENT ADD TORQUE SETTING MIN 0.5 nM- 1nM MAX				
------------	---------------------	----------------------	---	--	--	--	--

INSULATED BINDING POST WITH A 4mm SOCKET.  
 PANEL INSULATING BUSHES WITH A LOCATION KEYWAY,  
 THREADED TERMINATION SUPPLIED WITH SOLDER TAG WASHER  
 AND LOCK NUTS.  
 AVAILABLE IN 7 COLOUR VARIATIONS

MATERIAL:

CAP	:ACETAL
THREAD CONTACT	:BRASS, BRIGHT NICKEL PLATE
INSERT	:BRASS, BRIGHT NICKEL PLATE
BUSH	:BRASS BRIGHT NICKEL PLATE
INSULATING BUSHES	:ACETAL
LOCKNUT	:BRASS, BRIGHT NICKEL PLATE
WASHER	:BRASS, BRIGHT NICKEL PLATE
SOLDER TAG	:BRASS, FLASH SILVER PLATE

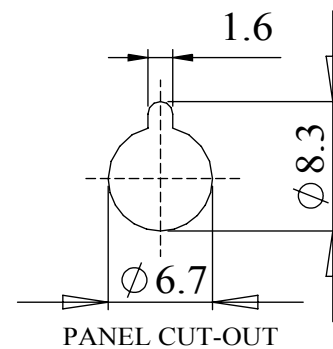
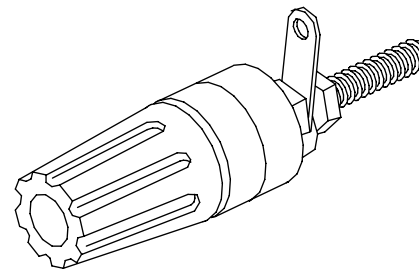
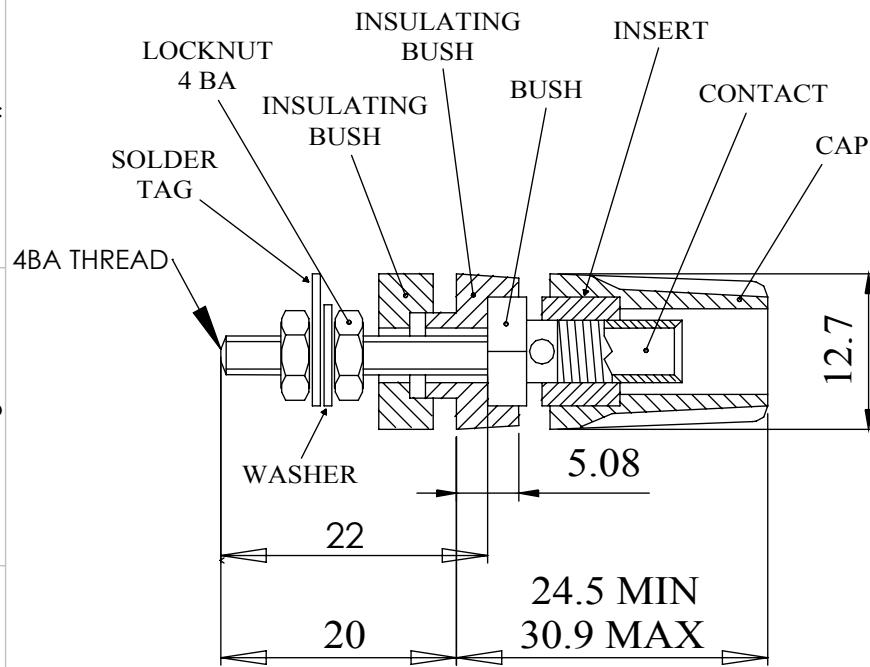
ELECTRICAL:

CURRENT RATING	:16 AMPS
RATED VOLTAGE	: 50 V

MECHANICAL:

RECOMMENDED TORQUE	: MIN 0.5 nM - MAX 1.0 Nm
THREAD	:4BA (3.6mm OR 0.141inch)
PANEL THICKNESS	: 12.7mm (MAX)

**DIMENSIONS**



COLOUR	PART NUMBER
BLACK	552-0100
BLUE	552-0200
BROWN	552-0300
GREEN	552-0400
RED	552-0500
WHITE	552-0600
YELLOW	552-0700

## X-ON Electronics

Largest Supplier of Electrical and Electronic Components

*Click to view similar products for [Test Plugs & Test Jacks](#) category:*

*Click to view products by [Deltron](#) manufacturer:*

Other Similar products are found below :

[01-2601-4-0210](#) [01-2601-4-0212](#) [01-2604-4-0212](#) [01-2604-5-0210](#) [01-2150-1-0312](#) [01-2350-1-02](#) [01-2352-1-02](#) [01-2368-1-02](#) [01-2604-4-0210](#) [01-2604-5-0212](#) [01-2606-4-0210](#) [01-2606-4-0212](#) [01-2606-5-0212](#) [M39024/10-01G](#) [M39024/10-17G](#) [M39024/11-09G](#) [M39024/11-42](#) [M39024/11-43](#) [M39024/12-08](#) [707-5311](#) [707-5402-01-19](#) [707-5410](#) [923739-40-I](#) [R644543000](#) [R948161000](#) [R999351000](#) [1408-4](#) [1499-101](#) [1533-1](#) [1659559](#) [1659567](#) [1663921](#) [1663939](#) [1696-102](#) [174-R825B-EX](#) [NYS508-BU](#) [NYS508-O](#) [211-101](#) [RS100GBL](#) [RS250GBL](#) [251-102](#) [25-2251-2-03](#) [25-2259-2-03](#) [923743-16-I](#) [923743-24-I](#) [923743-28-I](#) [2854-BLU](#) [2970-BLK](#) [30-443G](#) [1680](#)