

## STACKABLE PLUG

### PRODUCT SPECIFICATION

Sheet No. **PS 0269**

Date : 23.11.94

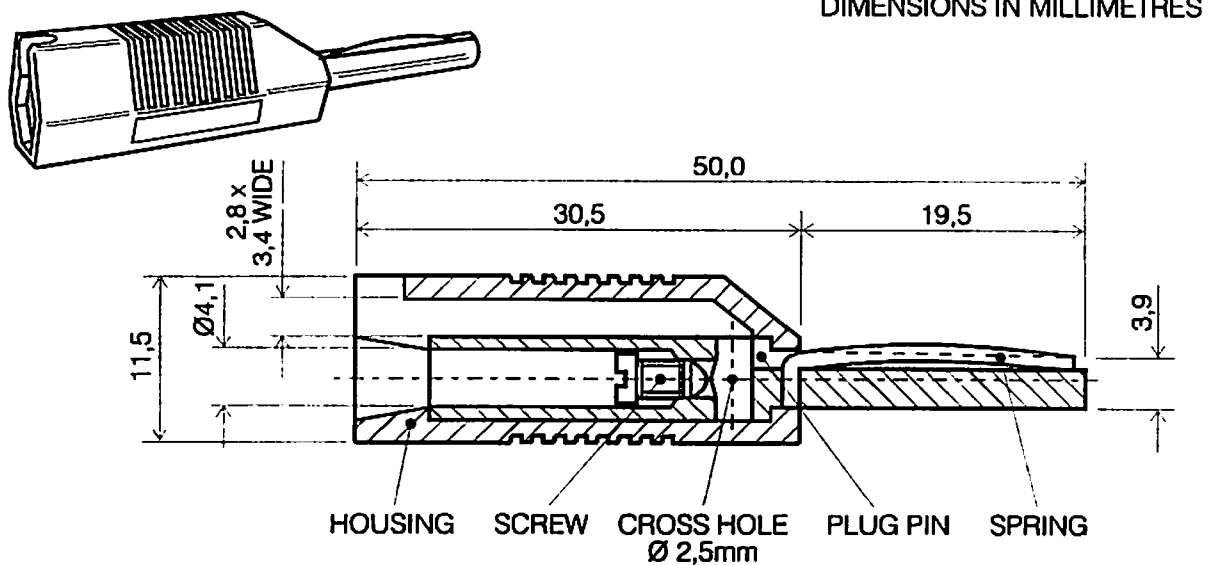
Issue No. 5 (08.11.95)

Sheet 1 of 1

Signature

Deltron Part No. **553 SERIES**

### Dimensions



### Description

A 4mm plug at the front and 4mm socket at the rear provides a reliable in-line stacking facility. The lead wire is clamped securely in position by the screw located inside the plug. The pliable PVC housing comes in various colours (see below).

COLOUR	ORDER CODE
Black	553-0100
Blue	553-0200
Brown	553-0300
Green	553-0400
Red	553-0500
White	553-0600
Yellow	553-0700

### Features

#### MATERIALS

HOUSING	: PVC C36/20
SCREW	: Brass, bright nickel plated
PLUG PIN	: Brass, bright nickel plated
SPRING	: Spring Steel

RATING : 10 Amps

## X-ON Electronics

Largest Supplier of Electrical and Electronic Components

*Click to view similar products for [Test Plugs & Test Jacks](#) category:*

*Click to view products by [Deltron](#) manufacturer:*

Other Similar products are found below :

[01-2601-4-0210](#) [01-2601-4-0212](#) [01-2604-4-0212](#) [01-2604-5-0210](#) [01-2150-1-0312](#) [01-2350-1-02](#) [01-2352-1-02](#) [01-2368-1-02](#) [01-2604-4-0210](#) [01-2604-5-0212](#) [01-2606-4-0210](#) [01-2606-4-0212](#) [01-2606-5-0212](#) [M39024/10-01G](#) [M39024/10-17G](#) [M39024/11-09G](#) [M39024/11-42](#) [M39024/11-43](#) [M39024/12-08](#) [707-5311](#) [707-5402-01-19](#) [707-5410](#) [923739-40-I](#) [R644543000](#) [R948161000](#) [R999351000](#) [1408-4](#) [1499-101](#) [1533-1](#) [1659559](#) [1659567](#) [1663921](#) [1663939](#) [1696-102](#) [174-R825B-EX](#) [NYS508-BU](#) [NYS508-O](#) [211-101](#) [RS100GBL](#) [RS250GBL](#) [251-102](#) [25-2251-2-03](#) [25-2259-2-03](#) [923743-16-I](#) [923743-24-I](#) [923743-28-I](#) [2854-BLU](#) [2970-BLK](#) [30-443G](#) [1680](#)