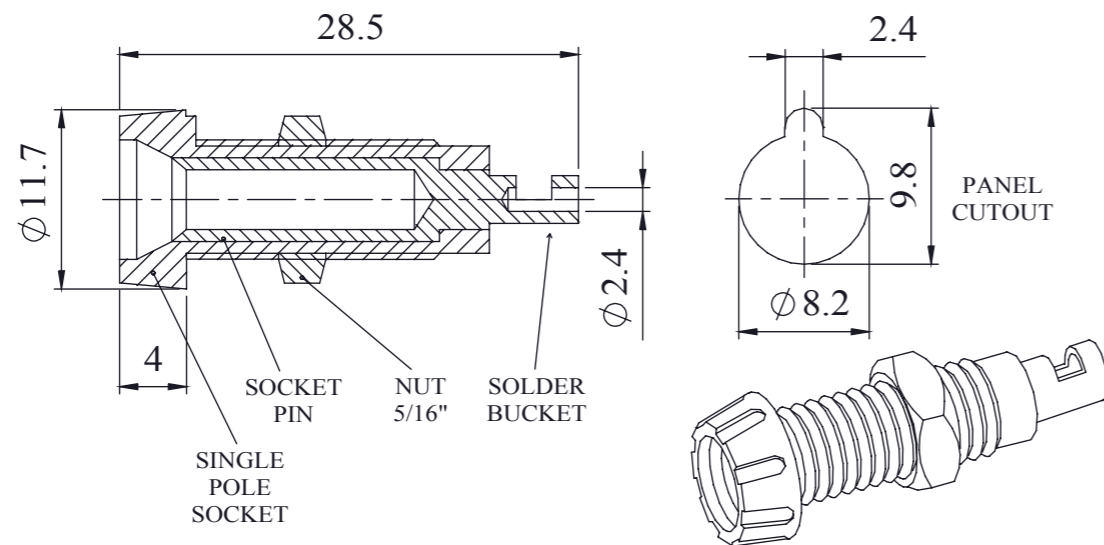


Rigid panel mounting socket retained in place by a nut, which accepts 4mm diameter plugs. Is suitable for panels up to 13,5mm thick. Connection is via a solder bucket, although a solder tag version is available.

**Product information and Ratings - 563
Range = 4mm Panel Socket**

Part	563	
Insulant	Polypropylene PPH7060	polypropylene
Socket		
Pin	Brass BS2874 Silver plated	
Nut	Brass BS2874 Nickel plated	
Amps	10A	
Nominal working Voltage	250V RMS	
Contact Resistance	10mΩ	
Maximum Temperaturev RTI	+147°C	
Minimum temperature	- 20°C	
Recommended Temperature	10A @55°C	
Voltage Breakdown	5000v	
Conductor size	1.5mm ²	
Panel Thickness		
Fixing Torque	0.4Nm	
Colours	563-0100	Black
	563-0200	Blue
	563-0300	Brown
	563-0400	Green
	563-0500	Red
	563-0600	White
	563-0700	Yellow

Dimensions



X-ON Electronics

Largest Supplier of Electrical and Electronic Components

Click to view similar products for [Test Sockets](#) category:

Click to view products by [Deltron](#) manufacturer:

Other Similar products are found below :

[AXS-5032-04-02](#) [AXS-3225-04-06](#) [AXS-7050-04-12](#) [5662](#) [BP30-10-B](#) [BP30GNN-1 PKG](#) [BP30-10Y-1 PKG](#) [AXS-7050-04-01](#) [AXS-5032-04-06](#) [AXS-2520-04-01](#) [AXS-5032-04-04](#) [930308101](#) [931714101](#) [15.0084-21](#) [563-0500](#) [20.1020-21](#) [20-313137](#) [20-313139](#) [20-313144](#) [20-313140](#) [20-313143](#) [22.1042](#) [+ 22.2370-22](#) [23.1010-23, 24, 25, 26, 27](#) [23.3060-23](#) [24.0160-1+25.0035](#) [24.0160-4+25.0035](#) [24.116-22](#) [5281](#) [5279](#) [450-3704-01-06-00](#) [AXS-3225-04-04](#) [AXS-3225-04-10](#) [AXS-7550-06-03](#) [AXS-7550-06-05](#) [269RB](#) [2713BB](#) [BP30BN-1 PKG](#) [BP30RN-1 PKG](#) [571-0200](#) [450-3422-01-06-00](#) [450-3888-01-04-00](#) [BP30GP10](#) [571-0400](#) [571-0600](#) [66.9131-23](#) [66.9427-22](#) [BP21-2BRN-B](#) [PKG](#) [930058104](#) [930103102](#) [930103188](#)