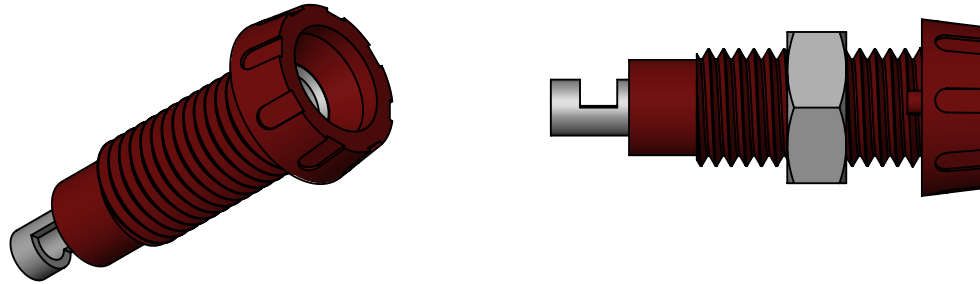
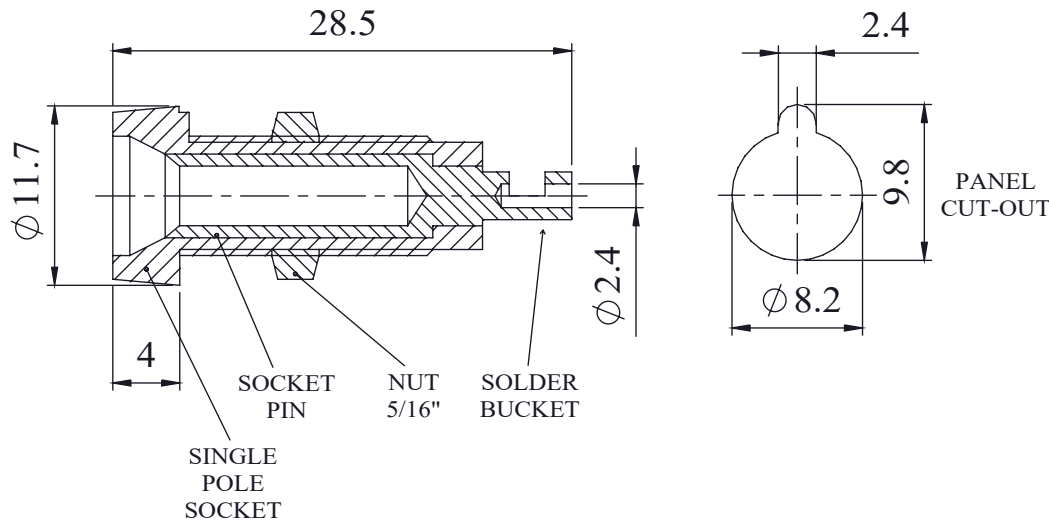


4mm PANEL SOCKET

RIGID PANEL MOUNTING SOCKET RETAINED IN PLACE BY A NUT, ACCEPTS 4mm DIAMETER PLUGS. IS SUITABLE FOR PANELS OF UP TO 13.5mm THICKNESS CONNECTION IS VIA SOLDER BUCKET (SOLDER TAG VERSION ALSO AVAILABLE REF 551 SERIES)



Dimensions



MATERIAL	
BODY	POLYPROPYLENE
SOCKET	BRASS, SILVER PLATED
NUT	BRASS, NICKEL PLATED
ELECTRICAL	
AMPS	10A
RATED VOLTAGE	50V
NOMINAL WORKING VOLTAGE	250V RMS
CONTACT RESISTANCE	10m Ω
TEMPERATURE	+147°C to -20°C
RECOMMENDED TEMPERATURE	10A @ 55°C
RECOMMENDED CONDUCTOR SIZE	1.5mm ²
MECHANICAL	
RECOMMENDED TORQUE	0.4Nm MAX
RECOMMENDED PANEL THICKNESS	13.5mm MAX

PART NUMBER	COLOUR
563-0100	BLACK
563-0200	BLUE
563-0300	BROWN
563-0400	GREEN
563-0500	RED
563-0600	WHITE
563-0700	YELLOW

X-ON Electronics

Largest Supplier of Electrical and Electronic Components

Click to view similar products for [Test Sockets](#) category:

Click to view products by [Deltron](#) manufacturer:

Other Similar products are found below :

[AXS-5032-04-02](#) [AXS-3225-04-06](#) [AXS-7050-04-12](#) [5662](#) [BP30-10-B](#) [BP30GNN-1 PKG](#) [BP30-10Y-1 PKG](#) [AXS-7050-04-01](#) [AXS-5032-04-06](#) [AXS-2520-04-01](#) [AXS-5032-04-04](#) [972361101](#) [972361100](#) [930308100](#) [931714100](#) [931714101](#) [930308104](#) [66.9328-25](#) [563-0100](#) [563-0500](#) [551-0700](#) [563-0300](#) [563-0600](#) [5281](#) [5279](#) [571-0300](#) [572-0200](#) [572-0400](#) [AXS-7550-06-03](#) [2713BB](#) [571-0200](#) [571-0400](#) [571-0600](#) [934097102](#) [1458-103](#) [AXS-1147-02-02](#) [AXS-2520-04-08](#) [AXS-3215-02-01](#) [AXS-3215-02-05](#) [AXS-3838-08-01](#) [AXS-5032-04-12](#) [930320100](#) [CL159701](#) [551-0100](#) [551-0200](#) [551-0400](#) [551-0500](#) [563-0200](#) [571-0100](#) [571-0500](#)