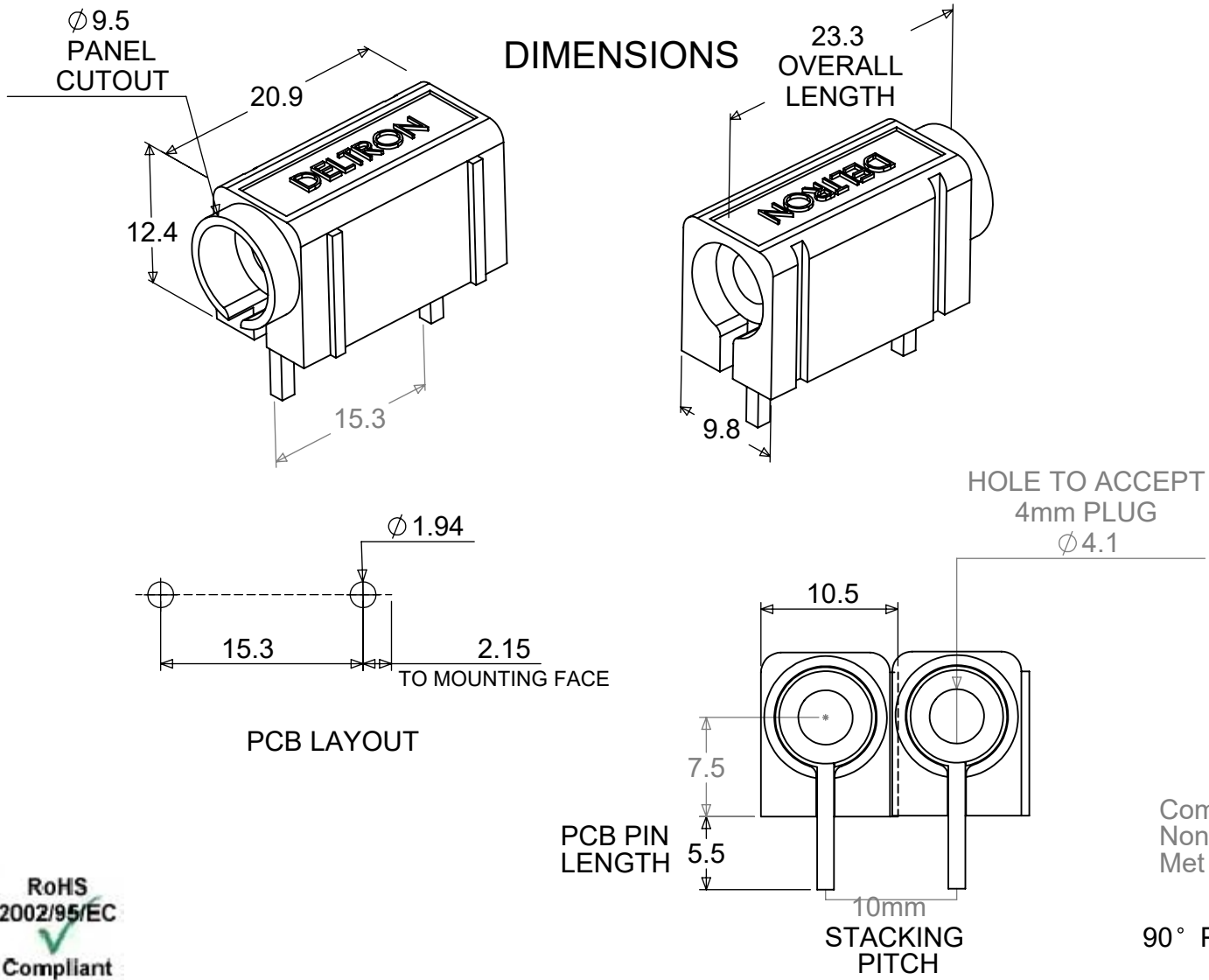


REV	DATE	ECN NUMBER	ECR COMMENT				
017	20 Feb 2019	C04140	Amend leg dimension 5mm to 5.5mm grid ref 3E				
016	12 Sep 2018	C03988	BORDER UPDATED				

AN INSULATED 4mm SOCKET, FOR DIRECT MOUNTING ONTO PRINTED CIRCUIT BOARDS. GROOVES IN THE OUTER ACETAL HOUSING PROVIDE STACKING ALIGNMENT FOR BOARD SPACE SAVING.

<b>Insulant</b>	<b>Acetal</b>
<b>Pin</b>	<b>Brass, Silver Plate</b>
<b>Bush</b>	<b>Brass, Silver Plate</b>
<b>Amps</b>	<b>10A</b>
<b>Working Voltage</b>	<b>50V</b>
<b>Contact Resistance</b>	<b>10mΩ</b>
<b>Maximum Temperature RTI</b>	<b>+ 110°C</b>
<b>Minimum Temperature</b>	<b>-25°C</b>
<b>Recommended Temperature</b>	<b>10A @ 55°C</b>
<b>Voltage Breakdown</b>	<b>5000V</b>
<b>Recommended Conductor size</b>	<b>1.5mm<sup>2</sup></b>
<b>Colours</b>	<b>Order Code</b>
<b>Black</b>	<b>571-0100</b>
<b>Blue</b>	<b>571-0200</b>
<b>Brown</b>	<b>571-0300</b>
<b>Green</b>	<b>571-0400</b>
<b>Red</b>	<b>571-0500</b>
<b>White</b>	<b>571-0600</b>
<b>Yellow</b>	<b>571-0700</b>



Component complies with 260° deg J-STD-075 Non-IC Electronic Components Standard Met PSL W4

**90° PCB MOUNTED INSULATED SOCKET-SINGLE**



**DELTRON Components** | **bies** | **DEM** | **DELTRON Enclosures** | **Alpha3 manufacturing** | **ROXBURGH EMC**

+44(0)1724 273200 | www.dem-uk.com

**PROPRIETARY AND CONFIDENTIAL:**  
 THE INFORMATION CONTAINED IN THIS DRAWING IS THE SOLE PROPERTY OF ALPHA 3 MANUFACTURING. ANY REPRODUCTION IN PART OR AS A WHOLE WITHOUT THE WRITTEN PERMISSION OF ALPHA 3 MANUFACTURING IS PROHIBITED.  
 DEM Manufacturing is a division of Alpha 3 Manufacturing LTD  
 DEM Manufacturing, Deltron Emcon House, Hargreaves Way, Sawcliffe Ind. Park, Scunthorpe, North Lincolnshire, DN15 8RF, UK

UNLESS OTHERWISE SPECIFIED DIMENSIONS ARE IN MILLIMETRES  
 LINEAR & RADIAL TOLERANCE:  
**NO DECIMAL PLACES**  
**1 DECIMAL PLACE**  
**2 DECIMAL PLACES**  
**ANGULAR TOLERANCE:**

**IF IN DOUBT ASK! DO NOT SCALE DRAWING!**  
 FINISH SEE TABLE  
 MATERIAL SEE TABLE  
 THE FINISHED PRODUCT SHOULD BE CLEAN AND FREE FROM ALL LIQUIDS AND DEBRIS. SURFACES SHOULD BE OF UNIFORM APPEARANCE FREE FROM SHARP EDGES, BURRS AND CORROSION

AUTHOR	SB	TITLE	GENERAL SPECIFICATION	
EDITOR	DT	FILE	571-SERIES	
APPROVER	WC	PART	SINGLE 4mm PCB SOCKET	
THIRD ANGLE PROJECTION	SHEET 1 OF 1	ISSUE/REV.	017	VERSION 19
	SCALE 2:1	A4	RELEASED	EDIT DATE 20 Feb 2019

## X-ON Electronics

Largest Supplier of Electrical and Electronic Components

*Click to view similar products for [Test Sockets](#) category:*

*Click to view products by [Deltron](#) manufacturer:*

Other Similar products are found below :

[AXS-5032-04-02](#) [AXS-3225-04-06](#) [AXS-7050-04-12](#) [5662](#) [BP30-10-B](#) [BP30GNN-1 PKG](#) [BP30-10Y-1 PKG](#) [AXS-7050-04-01](#) [AXS-5032-04-06](#) [AXS-2520-04-01](#) [AXS-5032-04-04](#) [972361101](#) [972361100](#) [930308100](#) [931714100](#) [931714101](#) [930308104](#) [66.9328-25](#) [563-0100](#) [563-0500](#) [551-0700](#) [563-0300](#) [563-0600](#) [563-0700](#) [5281](#) [5279](#) [571-0300](#) [572-0200](#) [572-0400](#) [AXS-7550-06-03](#) [2713BB](#) [571-0200](#) [571-0400](#) [571-0600](#) [934097102](#) [1458-103](#) [AXS-1147-02-02](#) [AXS-2520-04-08](#) [AXS-3215-02-01](#) [AXS-3215-02-05](#) [AXS-3838-08-01](#) [AXS-5032-04-12](#) [930320100](#) [CL159701](#) [551-0100](#) [551-0200](#) [551-0400](#) [551-0500](#) [563-0200](#) [571-0100](#)