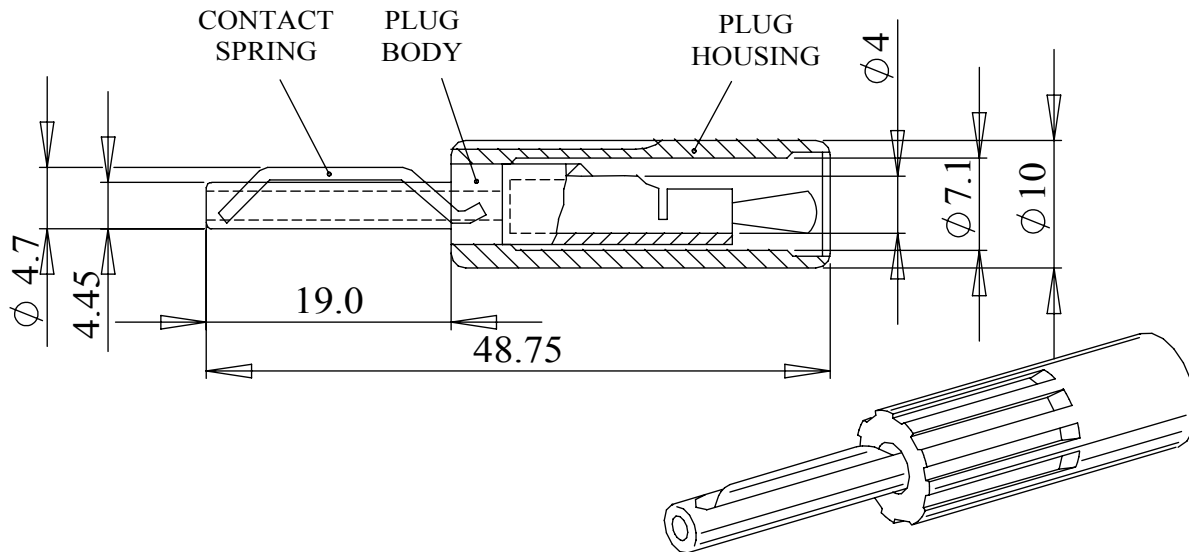


REV	1	DATE	ECN NUMBER	ECR COMMENT	3	4	5	6	7
003		23 Oct 2017							

A standard in-line 4mm banana plug with a stainless steel contact spring.
 The large rear diameter of this plug will accept cables with a conductor of up 5,5mm (10 awg).
 The lead wire is held by soldering in a large solder bucket.

The product is also supplied with a large diameter insulating cover that accepts cables with a maximum outside diameter of 7,1mm. Silver plating Plug Body.

Dimensions



Material	
Contact spring	Stainless steel, BS302
Plug body	Brass TR1 CZ 131
Plug housing	Acetal, C 27021 R
Body plating	Silver plating
Rating	16 Amps
Voltage	50 Volts MAX

Part No.	Colour & Plug Plating	
579-0100	BLACK	(Silver Plated)
579-0200	BLUE	(Silver Plated)
579-0300	BROWN	(Silver Plated)
579-0400	GREEN	(Silver Plated)
579-0500	RED	(Silver Plated)
579-0600	WHITE	(Silver Plated)
579-0700	YELLOW	(Silver Plated)

PROPRIETARY AND CONFIDENTIAL:
 THE INFORMATION CONTAINED IN THIS DRAWING IS THE SOLE PROPERTY OF ALPHA 3 MANUFACTURING. ANY REPRODUCTION IN PART OR AS A WHOLE WITHOUT THE WRITTEN PERMISSION OF ALPHA 3 MANUFACTURING IS PROHIBITED.
 DEM Manufacturing is a division of Alpha 3 Manufacturing LTD
 DEM Manufacturing, Deltron Emcon House, Hargreaves Way, Sawcliffe Ind. Park, Scunthorpe, North Lincolnshire, DN15 8RF, UK

UNLESS OTHERWISE SPECIFIED DIMENSIONS ARE IN MILLIMETRES
 LINEAR & RADIAL TOLERANCE:
NO DECIMAL PLACES: ±0.2mm
1 DECIMAL PLACE: ±0.1mm
2 DECIMAL PLACES: ±0.05mm
ANGULAR TOLERANCE: ±1°

IF IN DOUBT ASK! DO NOT SCALE DRAWING!
 FINISH: STANDARD
 MATERIAL: -
 THE FINISHED PRODUCT SHOULD BE CLEAN AND FREE FROM ALL LIQUIDS AND DEBRIS. SURFACES SHOULD BE OF UNIFORM APPEARANCE FREE FROM SHARP EDGES, BURRS AND CORROSION

AUTHOR: Alex Yau
 EDITOR: DT
 APPROVER: DT
 THIRD ANGLE PROJECTION

TITLE: GENERAL SPECIFICATION
 FILE: 579 SERIES iss 003
 PART:
 SHEET 1 OF 1
 SCALE 1:1 A4
 ISSUE/REV.: 003
 RELEASED
 VERSION: 6
 EDIT DATE: 23 Oct 2017

X-ON Electronics

Largest Supplier of Electrical and Electronic Components

Click to view similar products for [Test Plugs & Test Jacks](#) category:

Click to view products by [Deltron](#) manufacturer:

Other Similar products are found below :

[579-0400](#) [66000-7](#) [R644543000](#) [R921923000](#) [R921930000](#) [R941344000](#) [R948161000](#) [R999351000](#) [1408-4](#) [1533-1](#) [174-R825B-EX](#)
[NYS508-BU](#) [NYS508-O](#) [1680](#) [174-R819B-EX](#) [R644543003](#) [R644543020](#) [R644543021](#) [R921926000](#) [R921931000](#) [R921932000](#)
[R921934000](#) [R929991000](#) [R941460000](#) [R941461000](#) [R941463600](#) [R941920600](#) [R948160000](#) [31B-2-RED](#) [032-0016-023](#) [105-1106-001](#)
[108-1000-106](#) [108-2301-621](#) [111-0707-001](#) [66001-9](#) [7013](#) [1395080-1](#) [930166100](#) [NYS508-V](#) [NYS508-W](#) [NYS508-Y](#) [NYS511-R](#) [BP30-](#)
[2BR10-B PKG](#) [BP30-10-WT](#) [BP30-2BR-B PKG](#) [BP30Y-1 PKG](#) [R941049000](#) [R941340000](#) [R948141029](#) [R644543022](#)