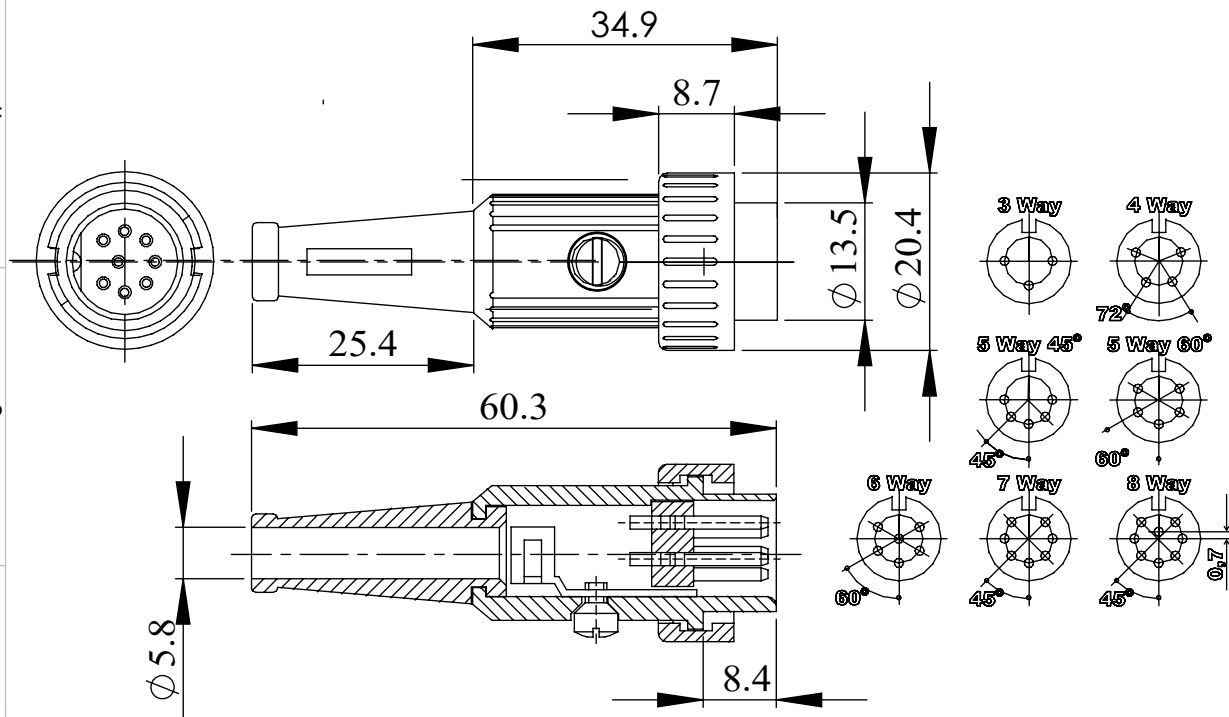


REV	DATE	ECN NUMBER	ECR COMMENT			
009	27 Apr 2020	C04605	UPDATE BORDER AND PLATING DESCRIPTION			
008	24 Apr 2018	C03817	AMEND PIN BASE VARIATIONS UPDATE BORDER			

A FULLY SCREENED ROBUST RANGE OF DIN CONNECTORS FOR USE IN INSTRUMENTATION AND AUDIO APPLICATIONS.  
 AVAILABLE IN BRIGHT NICKEL FINISH WITH INTERCHANGEABLE BLACK PLASTIC LOCKING RINGS. FIVE OTHER COLOURS ARE AVAILABLE THESE ARE SOLD SEPARATELY (REF 592-000\* SEE CHART FOR PART NUMBERS)  
 A SIMPLE HALF TURN OF THE RING SECURES THE PLUG ONTO THE MATING PANEL SOCKET (REF 593 SERIES)  
 CONSTRUCTION INCORPORATES CABLE GRIP AND STRAIN RELIEF

MANUFACTURED TO DIN 41524, 45322, 45326, 45327 AND 45329

### DIMENSIONS



<b>MATERIALS</b>	
HOUSING	ZINC ALLOY
FINISH	BRIGHT NICKEL PLATE
MOULDING	LEXAN 500R
CONTACT PIN	BRASS CZ121, SILVER PLATED
CABLE CLAMP	BRASS BS2874 CZ 121
CABLE CLAMP FINISH	SILVER PLATED & ANTI-TARNISH
GROMMET	PVC BLACK
LOCKING RING	POLYESTER BLACK
SCREW	MILD STEEL, NICKEL PLATED
<b>MECHANICAL OPERATIONS</b>	
REPETITIONS	10'000
RECOMMENDED TORQUE	0.5 Nm
<b>ELECTRICAL</b>	
RATED VOLTAGE	34 V AC OR DC
CURRENT RATING	2 Amps
TEST VOLTAGE	500 V r.m.s.
INSULATION RESISTANCE	103 MΩ MIN AT 100 V DC
CONTACT RESISTANCE	10 mΩ MAX
CAPACITANCE (MATED)	3 pF
<b>CLIMATIC</b>	
CLIMATIC CATEGORY	25/070/21
TEMPERATURE RANGE	-25°C TO +70°C
DAMP HEAT, STEADY STATE	21 DAYS

592 PART	
TYPE	PARTS NUMBER
3 WAY	592-0301
4 WAY	592-0401
5 WAY 45°	592-0501
5 WAY 60°	592-0511
6 WAY	592-0601
7 WAY	592-0701
8 WAY	592-0801

LOCKING RING	
COLOUR	PART NUMBER
BLUE	592-0002
GREEN	592-0004
RED	592-0005
WHITE	592-0006
YELLOW	592-0007
MIXED COLOURS (4x5)	592-0000

**PROPRIETARY AND CONFIDENTIAL:**  
 THE INFORMATION CONTAINED IN THIS DRAWING IS THE SOLE PROPERTY OF ALPHA 3 MANUFACTURING. ANY REPRODUCTION IN PART OR AS A WHOLE WITHOUT THE WRITTEN PERMISSION OF ALPHA 3 MANUFACTURING IS PROHIBITED.  
 DEM Manufacturing is a division of Alpha 3 Manufacturing LTD  
 DEM Manufacturing, Deltron Emcon House, Hargreaves Way, Sawcliffe Ind. Park, Scunthorpe, North Lincolnshire, DN15 8RF, UK

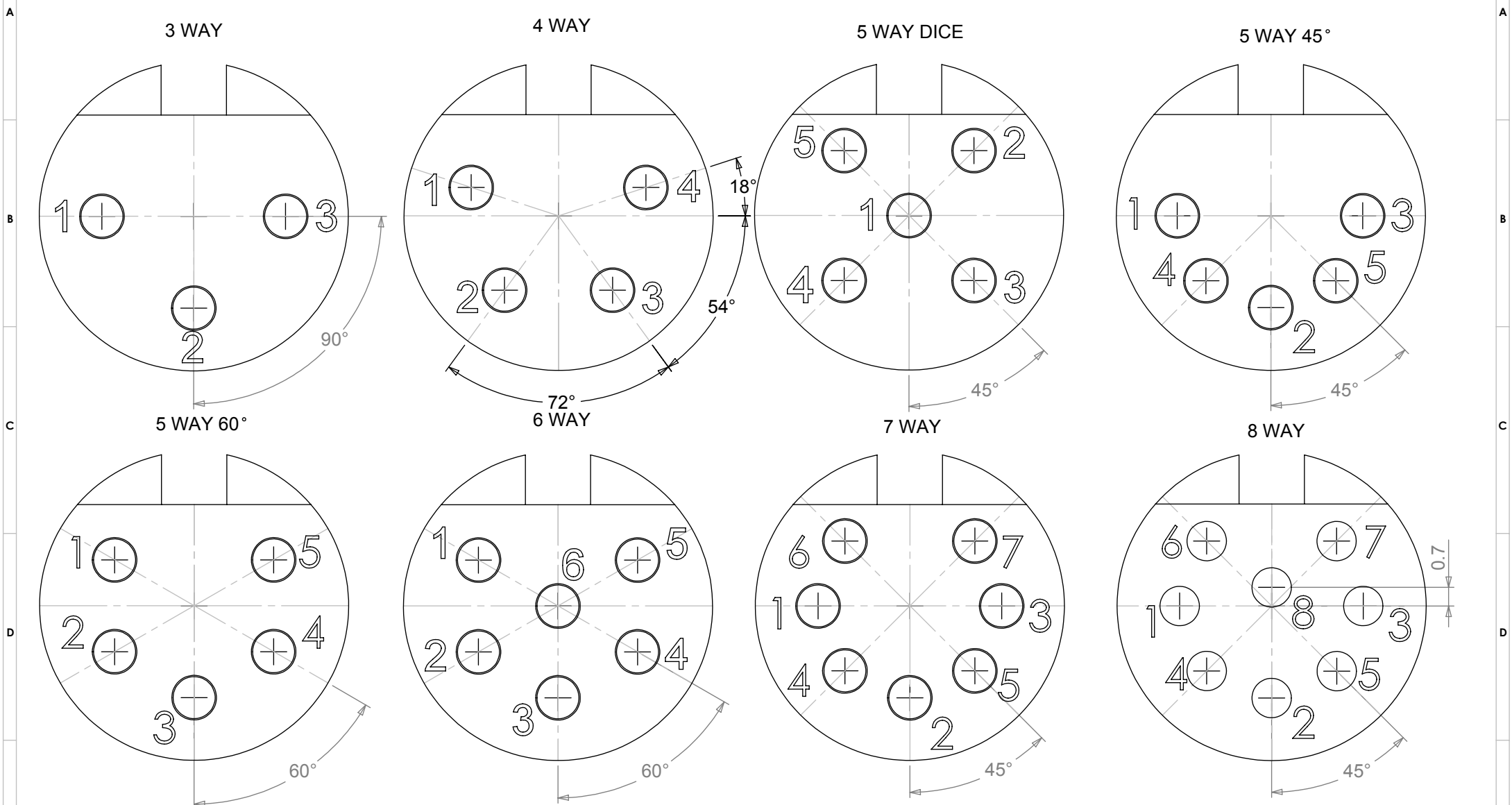
UNLESS OTHERWISE SPECIFIED DIMENSIONS ARE IN MILLIMETRES  
 LINEAR & RADIAL TOLERANCE:  
**NO DECIMAL PLACES: ±**  
**1 DECIMAL PLACE: ±**  
**2 DECIMAL PLACES: ±**  
**ANGULAR TOLERANCE: ±**

**IF IN DOUBT ASK! DO NOT SCALE DRAWING!**  
 FINISH: SEE NOTE  
 MATERIAL: SEE NOTE  
 THE FINISHED PRODUCT SHOULD BE CLEAN AND FREE FROM ALL LIQUIDS AND DEBRIS. SURFACES SHOULD BE OF UNIFORM APPEARANCE FREE FROM SHARP EDGES, BURRS AND CORROSION

AUTHOR	SB	TITLE	GENERAL SPECIFICATION	
EDITOR	DT	FILE	592 SERIES	
APPROVER	PA	PART	RING LOCK DIN CONNECTOR	
THIRD ANGLE PROJECTION	SHEET 1 OF 1	ISSUE/REV.	009	EDIT DATE 31/03/2020
	SCALE 1:1	A4	RELEASED	RELEASE DATE 27/04/2020

REV	1	DATE	ECN NUMBER	ECR COMMENT	3	4	5	6	7
001		23 Apr 2018	C03617	ADD DESCRIPTION TO WEB SPEC					
001		27 Jun 2017	C03654	ADD PIN BASE NUMBERS TO WEB SPECS					

**PIN VARIATIONS USED IN: 590 / 591 / 592 / 600 / 601 / 610 / 611 - DIN PLUG CONNECTORS**



**MANUFACTURED TO DIN STANDARD 41524, 45322, 45326, 45327 AND 45329**

**PROPRIETARY AND CONFIDENTIAL:**  
 THE INFORMATION CONTAINED IN THIS DRAWING IS THE SOLE PROPERTY OF ALPHA 3 MANUFACTURING. ANY REPRODUCTION IN PART OR AS A WHOLE WITHOUT THE WRITTEN PERMISSION OF ALPHA 3 MANUFACTURING IS PROHIBITED.  
 DEM Manufacturing is a division of Alpha 3 Manufacturing LFD  
 DEM Manufacturing, Deltron Emcon House, Hargreaves Way, Sawcliffe Ind. Park, Scunthorpe, North Lincolnshire, DN15 8RF, UK

UNLESS OTHERWISE SPECIFIED DIMENSIONS ARE IN MILLIMETRES  
 LINEAR & RADIAL TOLERANCE:  
**NO DECIMAL PLACES**  
**1 DECIMAL PLACE**  
**2 DECIMAL PLACES**  
**ANGULAR TOLERANCE:**

**IF IN DOUBT ASK! DO NOT SCALE DRAWING!**  
 FINISH: CLEAN  
 MATERIAL: REFER TO INDIVIDUAL RANGES  
 THE FINISHED PRODUCT SHOULD BE CLEAN AND FREE FROM ALL LIQUIDS AND DEBRIS. SURFACES SHOULD BE OF UNIFORM APPEARANCE FREE FROM SHARP EDGES, BURRS AND CORROSION

THIRD ANGLE PROJECTION

AUTHOR	DT	TITLE	PIN ORIENTATIONS	
EDITOR	DT	FILE	DIN PLUG PIN ORIENTATION	
APPROVER	AY	PART	DIN PLUG PIN BASE	
SHEET 1 OF 1	ISSUE/REV.	001	VERSION	11
SCALE 5:1	A4	RELEASED	EDIT DATE	23 Apr 2018

## X-ON Electronics

Largest Supplier of Electrical and Electronic Components

*Click to view similar products for [Circular DIN Connectors](#) category:*

*Click to view products by [Deltron](#) manufacturer:*

Other Similar products are found below :

[60KD4M](#) [M83723/76W22326](#) [M83723/78R22327](#) [D38999/26FE99SN L/C](#) [75-069228-21J](#) [7519021610P](#) [75-190224-28S](#) [7547401103P](#) [75-474014-07L](#) [88-559975-75P](#) [88-569735-06P](#) [88-569769-19P](#) [8R3006A18M0033](#) [PT02E1283P](#) [GTC00G-24-7S](#) [PT05A-14-5SX](#)  
[GTC030-20-27PW-LC](#) [GTC030A-20-33S](#) [1211290078](#) [1211810025](#) [1210503216](#) [1211290084](#) [1211500027](#) [ACS06AF-16-10P\(003\)](#)  
[D38999/40FB35AN](#) [D38999/40FB35BB](#) [D38999/40WB35BN](#) [D38999/40WD35PN](#) [D38999/40WJ29SN-L/C](#) [D38999/40WJ4BN](#)  
[D38999/42FB35BN](#) [D38999/42WB35AB](#) [D38999/42WB35PB-L/C](#) [D38999/42WF35AN](#) [D38999/42WF35PN-L/C](#) [D38999/42WJ19AN](#)  
[D38999/42WJ24PN-L/C](#) [D38999/44WB35AN](#) [D38999/44WD35BN](#) [D38999/44WF35AA](#) [D38999/44WH21AN](#) [D38999/44WH35AN](#)  
[D38999/44WJ35PN](#) [D38999/46FJ19SA-L/C](#) [D38999/46FJ29AA](#) [D38999/46FJ29AN](#) [D38999/46FJ29PN-L/C](#) [D38999/46FJ61BA](#)  
[D38999/46FJ61SA](#) [D38999/46WF32PN-L/C](#)