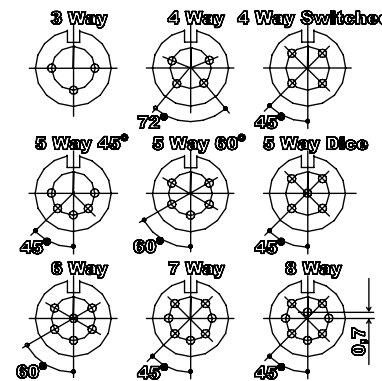
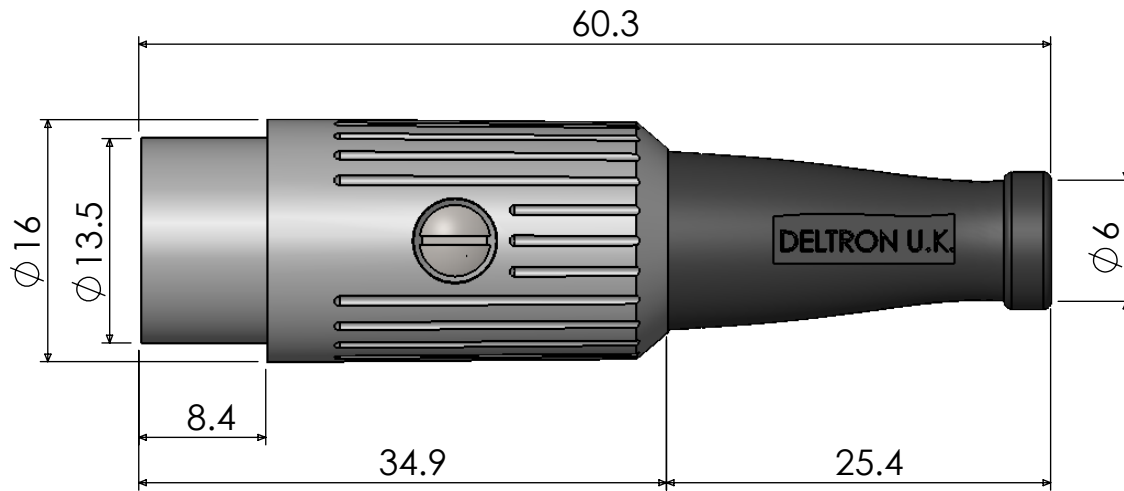


A fully screened robust range of DIN connectors for use in instrumentation and audio applications. Available in bright nickel plated. Robust construction incorporating cable grip and strain relief.

Manufactured to DIN 41524, 45322, 45326, 45327 and 45329.

### Dimensions



<b>Materials</b>	
Housing	Zinc Alloy
	Heavy Nickel Plated Over Copper
Moulding	Nylon
Contacts	Brass Silver Plated
Cable Clamp	Mild steel Zinc Plated
Grommet	Black P,V,C
<b>Electrical</b>	
Rated Voltage	34 V a.c. or d.c.
Current Rating	2.A
Test Voltage	500 V r.m.s.
Insulation Resistance	103 MΩ min at 100 V d.c
Contact Resistance	10 mΩ max
Capacitance (mated)	3pF
<b>Climatic</b>	
Climatic category	25/070/21
Temperature Range	-25°C to +70°C
Damp heat, steady state	21 days

Type	Deltron No
3 Way	610-0300
4 Way	610-0400
5 Way 45°	610-0500
5 Way 60°	610-0510
5 Way Dice	610-0520
6 Way	610-0600
7 Way	610-0700
8 Way	610-0800

## X-ON Electronics

Largest Supplier of Electrical and Electronic Components

*Click to view similar products for [Circular DIN Connectors](#) category:*

*Click to view products by [Deltron](#) manufacturer:*

Other Similar products are found below :

[60KD4M](#) [M83723/76W22326](#) [M83723/78R22327](#) [D38999/26FE99SN L/C](#) [75-069228-21J](#) [7519021610P](#) [75-190224-28S](#) [7547401103P](#) [75-474014-07L](#) [88-559975-75P](#) [88-569735-06P](#) [88-569769-19P](#) [8R3006A18M0033](#) [PT02E1283P](#) [GTC00G-24-7S](#) [PT05A-14-5SX](#)  
[GTC030-20-27PW-LC](#) [GTC030A-20-33S](#) [1211290078](#) [1211810025](#) [1210503216](#) [1211290084](#) [1211500027](#) [ACS06AF-16-10P\(003\)](#)  
[D38999/40FB35AN](#) [D38999/40FB35BB](#) [D38999/40WB35BN](#) [D38999/40WD35PN](#) [D38999/40WJ29SN-L/C](#) [D38999/40WJ4BN](#)  
[D38999/42FB35BN](#) [D38999/42WB35AB](#) [D38999/42WB35PB-L/C](#) [D38999/42WF35AN](#) [D38999/42WF35PN-L/C](#) [D38999/42WJ19AN](#)  
[D38999/42WJ24PN-L/C](#) [D38999/44WB35AN](#) [D38999/44WD35BN](#) [D38999/44WF35AA](#) [D38999/44WH21AN](#) [D38999/44WH35AN](#)  
[D38999/44WJ35PN](#) [D38999/46FJ19SA-L/C](#) [D38999/46FJ29AA](#) [D38999/46FJ29AN](#) [D38999/46FJ29PN-L/C](#) [D38999/46FJ61BA](#)  
[D38999/46FJ61SA](#) [D38999/46WF32PN-L/C](#)