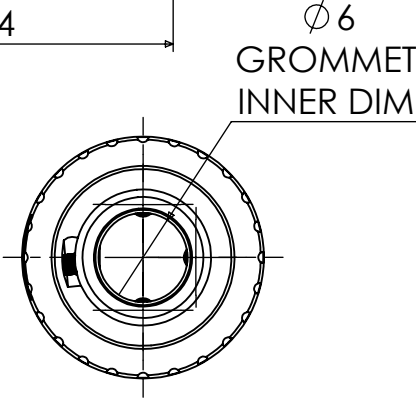
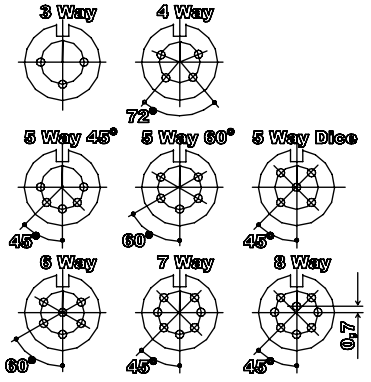
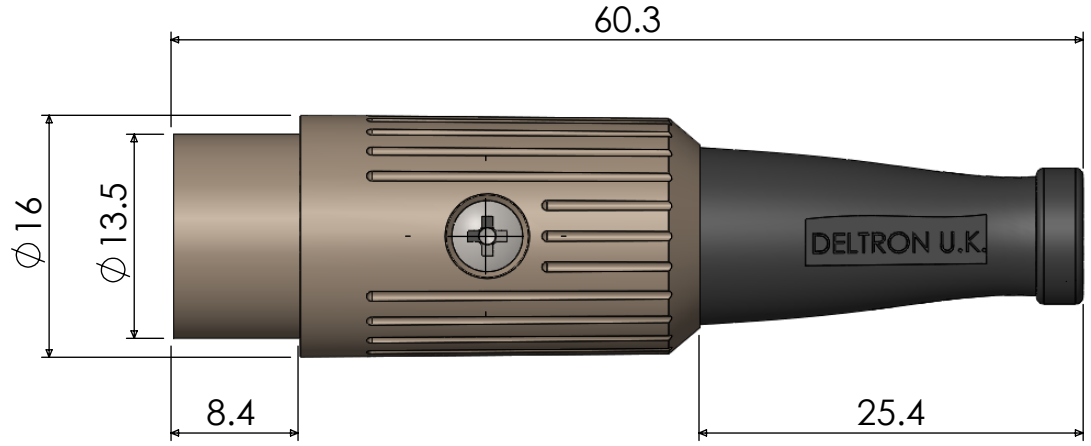


| | | | | | | | | | |
|-----|---|-------------|------------|---------------------------|---|---|---|---|---|
| REV | 1 | DATE | ECN NUMBER | ECR COMMENT | 3 | 4 | 5 | 6 | 7 |
| 002 | | 27 Apr 2020 | C04605 | AMEND PLATING DESCRIPTION | | | | | |
| 001 | | 23 Apr 2018 | | | | | | | |

A FULLY SCREENED ROBUST RANGE OF DIN CONNECTORS FOR USE IN INSTRUMENTATION AND AUDIO APPLICATIONS. AVAILABLE IN BLACK CHROME AND BRIGHT NICKEL. ROBUST CONSTRUCTION INCORPORATING CABLE GRIP AND STRAIN RELIEF.

MANUFACTURED TO DIN 41524, 45322, 45326, 45327 AND 45329.

DIMENSIONS

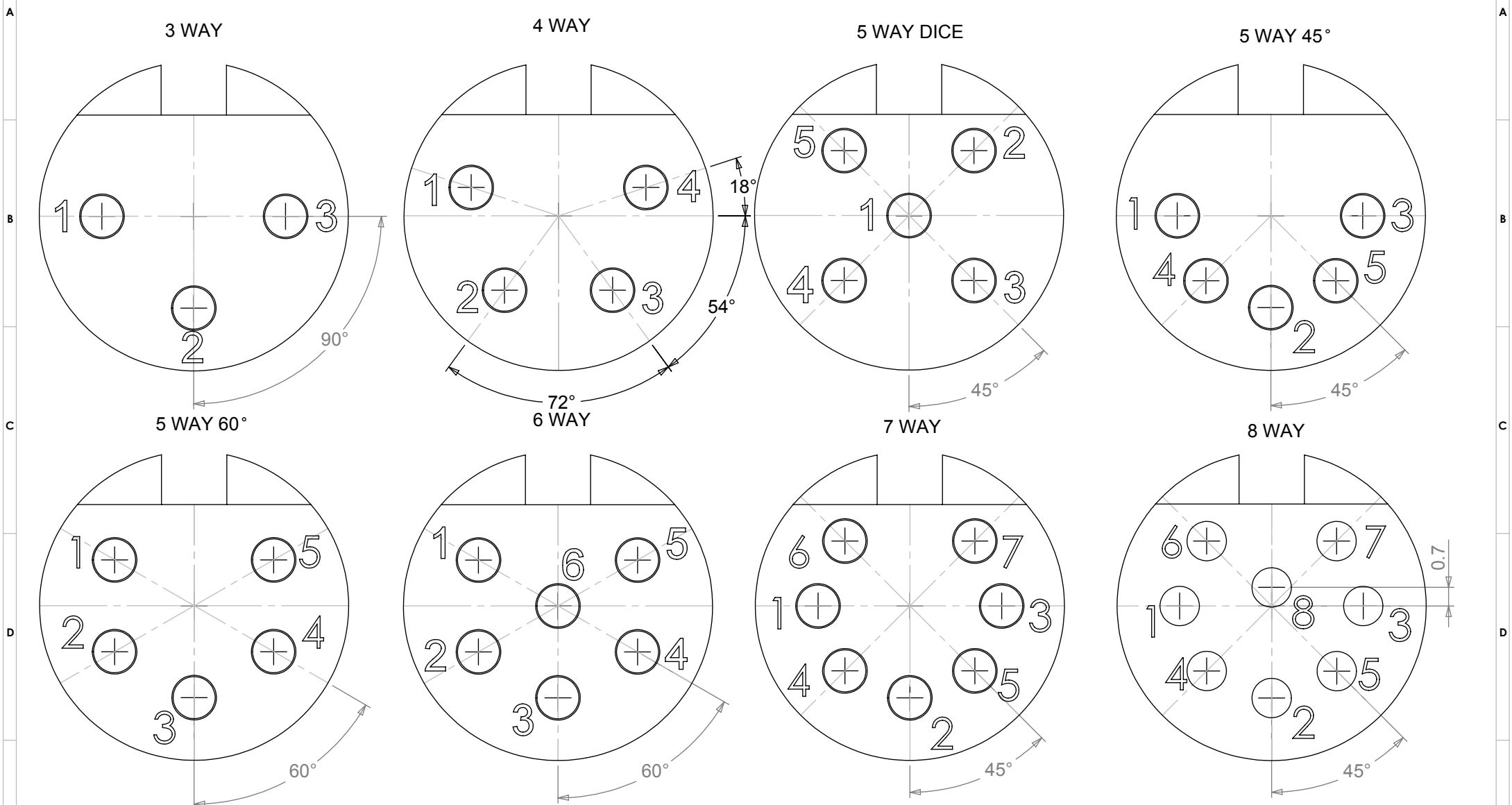


| MATERIALS | |
|-------------------------|--|
| HOUSING | ZINC ALLOY |
| FINISH | BRIGHT NICKEL PLATE OR BLACK CHROME PLATE |
| MOULDING | NYLON |
| CONTACTS | BRASS BS2874 CZ121M, SILVER PLATED |
| CABLE CLAMP | MILD STEEL, SILVER PLATED |
| SCREW | MILD STEEL, NICKEL PLATED |
| GROMMET | PVC BLACK |
| ELECTRICAL | |
| RATED VOLTAGE | 34 V AC or DC |
| CURRENT RATING | 2 Amp |
| TEST VOLTAGE | 500 V r.m.s |
| INSULATION RESISTANCE | 103 MΩ MIN AT 100 V DC |
| CONTACT RESISTANCE | 10 mΩ MAX |
| CAPACITANCE (MATED) | 3pF |
| CLIMATIC | |
| CLIMATIC CATEGORY | 25/070/21 |
| TEMPERATURE RANGE | -25 °C TO +70 °C |
| DAMP HEAT, STEADY STATE | 21 DAYS |

| TYPE | PART NUMBERS | |
|-----------|--------------|----------|
| | NICKEL | BLACK |
| 3 WAY | 610-0300 | 611-0300 |
| 4 WAY | 610-0400 | 611-0400 |
| 5 WAY 45° | 610-0500 | 611-0500 |
| 5 WAY 60° | 610-0510 | 611-0510 |
| 5 WAY | 610-0520 | 611-0520 |
| 6 WAY | 610-0600 | 611-0600 |
| 7 WAY | 610-0700 | 611-0700 |
| 8 WAY | 610-0800 | 611-0800 |

| | | | | | | | | | |
|-----|---|-------------|------------|-----------------------------------|---|---|---|---|---|
| REV | 1 | DATE | ECN NUMBER | ECR COMMENT | 3 | 4 | 5 | 6 | 7 |
| 001 | | 23 Apr 2018 | C03617 | ADD DESCRIPTION TO WEB SPEC | | | | | |
| 001 | | 27 Jun 2017 | C03654 | ADD PIN BASE NUMBERS TO WEB SPECS | | | | | |

PIN VARIATIONS USED IN: 590 / 591 / 592 / 600 / 601 / 610 / 611 - DIN PLUG CONNECTORS



MANUFACTURED TO DIN STANDARD 41524, 45322, 45326, 45327 AND 45329

PROPRIETARY AND CONFIDENTIAL:
 THE INFORMATION CONTAINED IN THIS DRAWING IS THE SOLE PROPERTY OF ALPHA 3 MANUFACTURING. ANY REPRODUCTION IN PART OR AS A WHOLE WITHOUT THE WRITTEN PERMISSION OF ALPHA 3 MANUFACTURING IS PROHIBITED.
 DEM Manufacturing is a division of Alpha 3 Manufacturing LFD
 DEM Manufacturing, Deltron Emcon House, Hargreaves Way, Sawcliffe Ind. Park, Scunthorpe, North Lincolnshire, DN15 8RF, UK

UNLESS OTHERWISE SPECIFIED DIMENSIONS ARE IN MILLIMETRES
 LINEAR & RADIAL TOLERANCE:
NO DECIMAL PLACES
1 DECIMAL PLACE
2 DECIMAL PLACES
ANGULAR TOLERANCE:

IF IN DOUBT ASK! DO NOT SCALE DRAWING!
 FINISH: CLEAN
 MATERIAL: REFER TO INDIVIDUAL RANGES
 THE FINISHED PRODUCT SHOULD BE CLEAN AND FREE FROM ALL LIQUIDS AND DEBRIS. SURFACES SHOULD BE OF UNIFORM APPEARANCE FREE FROM SHARP EDGES, BURRS AND CORROSION

THIRD ANGLE PROJECTION

| | | | | |
|----------|--------------|------------|--------------------------|-------------|
| AUTHOR | DT | TITLE | PIN ORIENTATIONS | |
| EDITOR | DT | FILE | DIN PLUG PIN ORIENTATION | |
| APPROVER | AY | PART | DIN PLUG PIN BASE | |
| | SHEET 1 OF 1 | ISSUE/REV. | 001 | VERSION 11 |
| | SCALE 5:1 A4 | RELEASED | EDIT DATE | 23 Apr 2018 |

X-ON Electronics

Largest Supplier of Electrical and Electronic Components

Click to view similar products for [Circular DIN Connectors](#) category:

Click to view products by [Deltron](#) manufacturer:

Other Similar products are found below :

[60KD4M](#) [M83723/76W22326](#) [M83723/78R22327](#) [75-069228-21J](#) [7519021610P](#) [75-190224-28S](#) [7547401103P](#) [75-474014-07L](#) [88-559975-75P](#) [88-569735-06P](#) [8R3006A18M0033](#) [GTC00G-24-7S](#) [PT05A-14-5SX](#) [PT05A1832SW](#) [GTC030-20-27PW-LC](#) [GTC030A-20-33S](#) [1211290078](#) [1211810025](#) [1210503216](#) [1211290084](#) [1211500027](#) [ACS06AF-16-10P\(003\)](#) [D38999/40WD35PN](#) [D38999/44WD35BN](#) [D38999/44WH21AN](#) [D38999/44WH35AN](#) [D38999/44WJ35PN](#) [12DL6MX](#) [AFD57-22-12S-6141](#) [MS3102R18-1PZ](#) [MS3102R28-22PZ](#) [MS3112E20-24P](#) [MS3114F10-6P](#) [MS3116E8-4SW](#) [MS3122E14-19P](#) [MS3456W28-21PZ-LC](#) [171-2603](#) [17DN100-EX](#) [C015-50C006-100-1](#) [NYS322AG](#) [CA3100F18-10SB](#) [CA3100F18-1SB](#) [CA3102E12S-3P](#) [CA3102E14S-2P](#) [CA3102E14S-6P](#) [CA3102E18-12SWB](#) [CA3102E20-18P](#) [CA3102E20-27P](#) [CA3102E20-33P](#) [CA3102E20-7P](#)