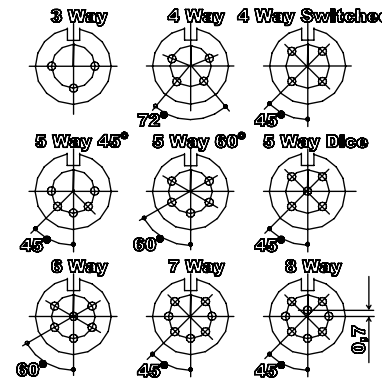
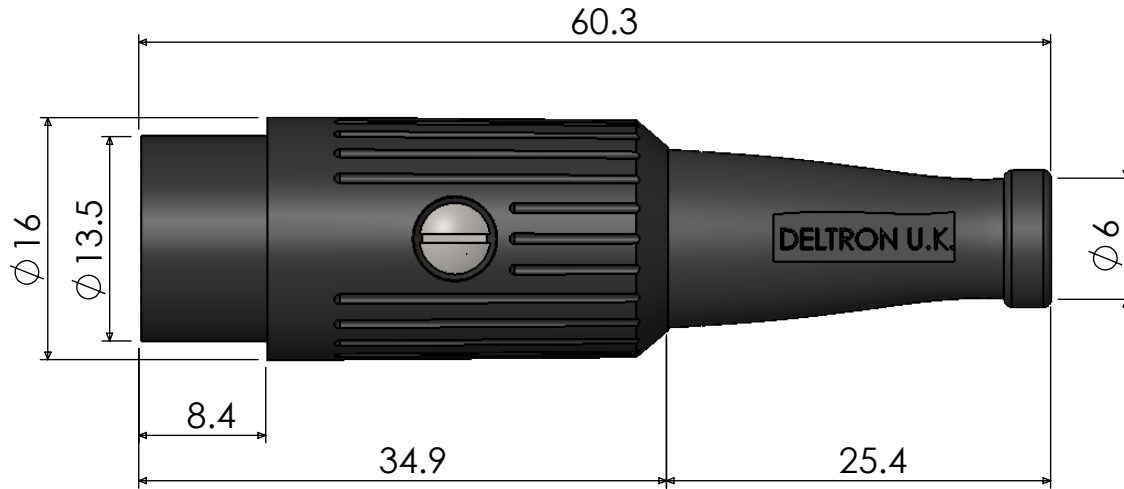


A fully screened robust range of DIN connectors for use in instrumentation and audio applications. Available in non-reflective electrically conductive matt black. Robust construction incorporating cable grip and strain relief.

Manufactured to DIN 41524, 45322, 45326, 45327 and 45329.

### Dimensions



<b>Materials</b>	
Housing	Zinc Alloy
	Non-reflective matt black Plated Over Copper
Moulding	Nylon
Contacts	Brass Silver Plated
Cable Clamp	Mild steel Zinc Plated
Grommet	Black P,V,C
<b>Electrical</b>	
Rated Voltage	34 V a.c. or d.c.
Current Rating	2.A
Test Voltage	500 V r.m.s.
Insulation Resistance	103 MΩ min at 100 V d.c
Contact Resistance	10 mΩ max
Capacitance (mated)	3pF
<b>Climatic</b>	
Climatic category	25/070/21
Temperature Range	-25°C to +70°C
Damp heat, steady state	21 days

Type	Deltron No
3 Way	611-0300
4 Way	611-0400
5 Way 45°	611-0500
5 Way 60°	611-0510
5 Way Dice	611-0520
6 Way	611-0600
7 Way	611-0700
8 Way	611-0800

Tel No. +44(0)1724 273200 Website www.dem-uk.com



PROPRIETARY AND CONFIDENTIAL  
 THE INFORMATION CONTAINED IN THIS DRAWING IS THE SOLE PROPERTY OF  
 ALPHA 3 MANUFACTURING.  
 ANY REPRODUCTION IN PART OR AS A WHOLE WITHOUT THE WRITTEN PERMISSION OF  
 ALPHA 3 MANUFACTURING IS PROHIBITED.

DEM Manufacturing, Deltron Emcon House  
 Hargreaves Way, Sawcliffe Ind. Park,  
 Scunthorpe, North Lincolnshire, DN15 8RF, UK

UNLESS OTHERWISE SPECIFIED:  
 DIMENSIONS ARE IN MILLIMETRES  
 LINEAR TOLERANCE:  
**NO DECIMAL PLACES ±0.5mm**  
**1 DECIMAL PLACE ±0.25mm**  
**2 DECIMAL PLACES ±0.125mm**  
 ANGULAR TOLERANCE: ±1°

FINISH SCREENED DIN  
 CONNECTOR STANDARD  
 PLUG NICKEL  
 IF IN DOUBT ASK  
 DO NOT SCALE DRAWING

MATERIAL SEE NOTE

DEBURR AND BREAK  
 SHARP EDGES

DRAWN BY  
 APPROVED BY



SPB  
 WC  
 SHEET 1 OF 1  
 SCALE 1:1  
 A4

TITLE GENERAL SPECIFICATION  
 FOR  
 611 SERIES

DRAWING NO.  
 611 SERIES

ISSUE **08**  
 Release

## X-ON Electronics

Largest Supplier of Electrical and Electronic Components

*Click to view similar products for [deltron](#) manufacturer:*

Other Similar products are found below :

[610-0700](#) [610-0800](#) [611-0400](#) [650-0300](#) [651-0300](#) [651-0800](#) [342-0000](#) [W127G](#) [066541F](#) [066542D](#) [630-0600](#) [W205C](#) [W106C](#) [611-0700](#)  
[717-0400](#) [456-0020](#) [460-0070](#) [479-0020-5](#) [486-121209-66](#) [480-C010](#) [490-170805E-68](#) [459-0080](#) [459-0140](#) [590-0700](#) [MDU14S](#) [4MP2616](#)  
[461-0050](#) [487-221208E-68](#) [571-0400-01](#) [480-C040](#) [462-0020E](#) [4DR3522](#) [487-261612E-66](#) [486-261609-68](#) [466-0050](#) [356-0200](#) [702-0500](#)  
[711-0500](#) [552-0600](#) [WHT](#) [487-261609E-66](#) [487-221209E-68](#) [462-0040A](#) [456-0030](#) [461-0070E](#) [490-040503A-68](#) [486-S68-2616](#) [800-0400](#)  
[4ELM6](#) [483-0100](#) [483-0030](#)