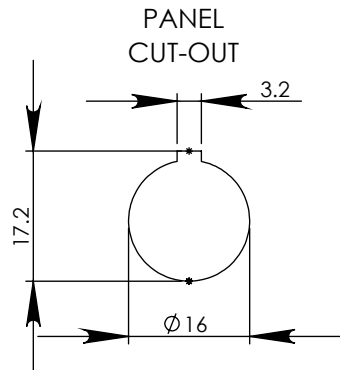
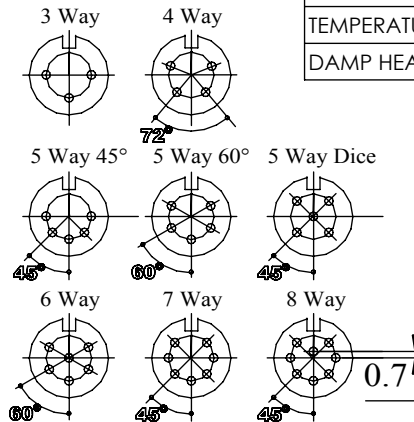
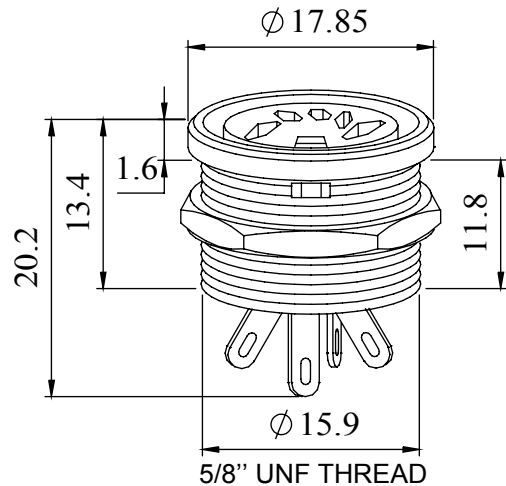


A RANGE OF PROFESSIONAL CHASSIS MOUNTING SOCKETS,
 DESIGNED FOR PANEL MOUNTING VIA A SINGLE TURNED BRASS NUT.
 THESE SOCKETS INCORPORATE AN ANTI-ROTATIONAL LOCATING SPIGOT.
 THESE PARTS MATE WITH ALL STANDARD DIN LOCKABLE PLUGS.
 THEY ARE AVAILABLE IN TWO FINISHES, BRIGHT NICKEL AND BLACK CHROME

MANUFACTURED TO DIN 41524, 45322, 45326, 45327 AND 45329



DIMENSIONS

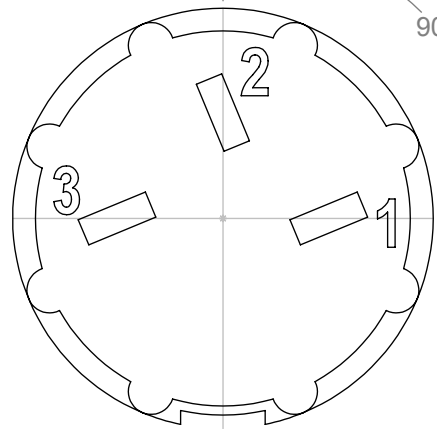


MATERIALS	
HOUSING	BRASS
HOUSING FINISH	BRIGHT NICKEL OR BLACK CHROME
MOULDING	LEXAN 500R
CONTACTS	BRASS
CONTACT FINISH	SILVER 3 MICRONS ON COPPER 1.5 MICRONS & ANTI-TARNISH
EARTH TAG	PHOSPHOR BRONZE 0.25 THICK
EARTH TAG FINISH	SILVER 3 MICRONS ON COPPER 1.5 MICRONS & ANTI-TARNISH
HEX NUT	BRASS
HEX NUT FINISH	BRIGHT NICKEL OR BLACK CHROME
ELECTRICAL	
RATED VOLTAGE	34V AC OR DC
CURRENT RATING	2 Amps
TEST VOLTAGE	500 V r.m.s
INSULATION RESISTANCE	103 MΩ MIN AT 100V DC
CONTACT RESISTANCE	10mΩ MAX
CAPACITANCE (MATED)	3pF
CLIMATIC	
CLIMATIC CATEGORY	25/070/21
TEMPERATURE RANGE	-25°C TO +70°C
DAMP HEAT, STAEDY STATE	21 DAYS

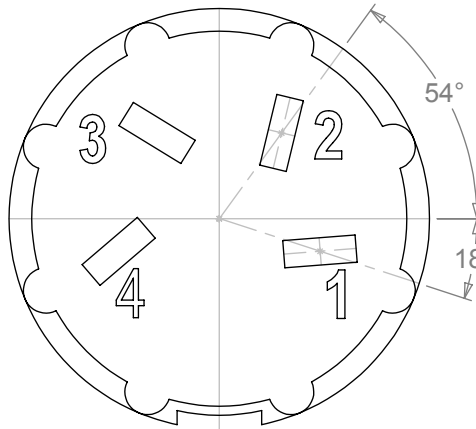
TYPE	PART NUMBER	
	BRIGHT NICKEL	BLACK
3 WAY	650-0300	651-0300
4 WAY	650-0400	651-0400
5 WAY 45°	650-0500	651-0500
5 WAY 60°	650-0510	651-0510
5 WAY DICE	650-0520	651-0520
6 WAY	650-0600	651-0600
7 WAY	650-0700	651-0700
8 WAY	650-0800	651-0800

REV 002 001	DATE 26 Apr 2018 23 Apr 2018	ECN NUMBER C03817 C03817	ECR COMMENT ADD DESCRIPTION TO WEB SPEC	3	4	5	6	7
-------------------	------------------------------------	--------------------------------	--	---	---	---	---	---

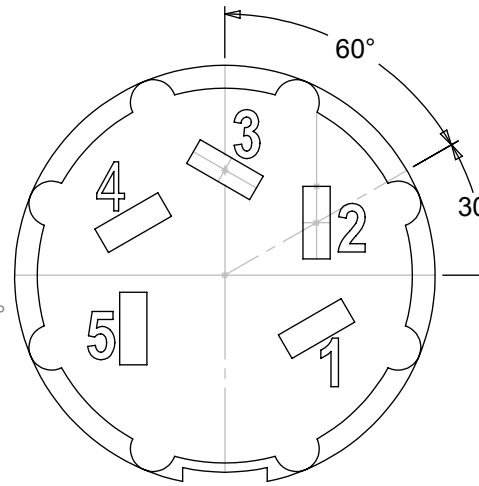
PIN VARIATIONS USED IN: 593 / 630 / 631 / 650 / 651 / 690 / 691 - DIN SOCKET CONNECTORS



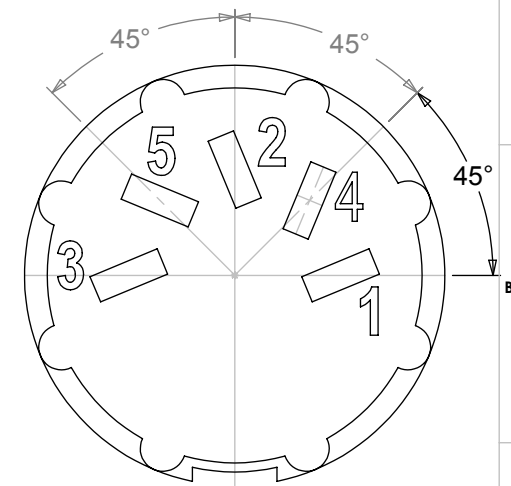
3 WAY



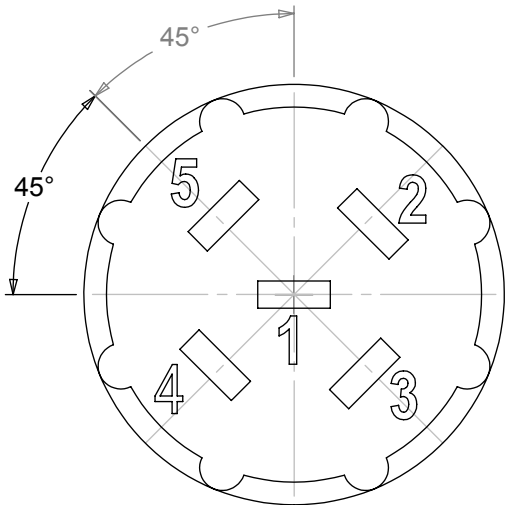
4 WAY



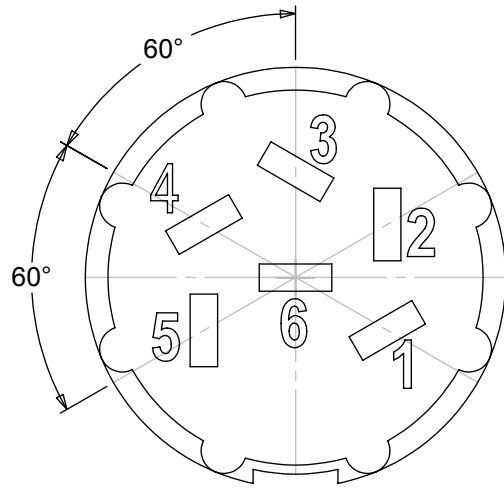
5 WAY 60°



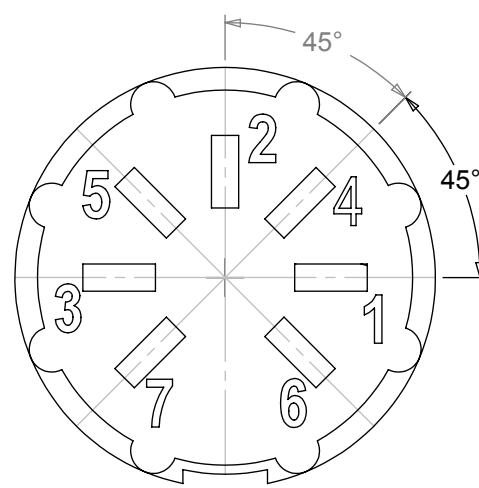
5 WAY 45°



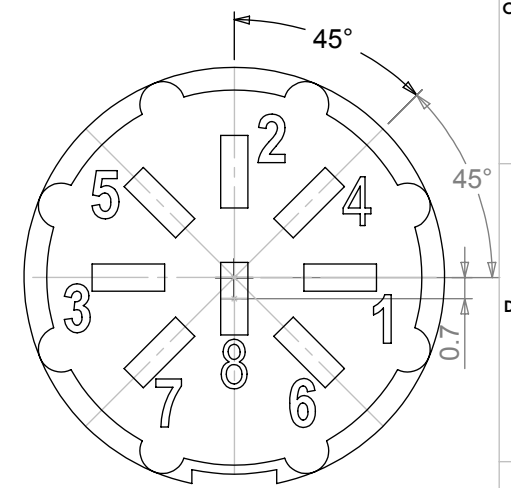
5 WAY DICE



6 WAY



7 WAY



8 WAY

MANUFACTURED TO DIN STANDARD 41524, 45322, 45326, 45327 AND 45329

PROPRIETARY AND CONFIDENTIAL:
 THE INFORMATION CONTAINED IN THIS DRAWING IS THE SOLE PROPERTY OF ALPHA 3 MANUFACTURING. ANY REPRODUCTION IN PART OR AS A WHOLE WITHOUT THE WRITTEN PERMISSION OF ALPHA 3 MANUFACTURING IS PROHIBITED.
 DEM Manufacturing is a division of Alpha 3 Manufacturing LTD
 DEM Manufacturing, Deltron Emcon House, Hargreaves Way, Sawcliffe Ind. Park, Scunthorpe, North Lincolnshire, DN15 8RF, UK

UNLESS OTHERWISE SPECIFIED DIMENSIONS ARE IN MILLIMETRES
 LINEAR & RADIAL TOLERANCE:
NO DECIMAL PLACES
1 DECIMAL PLACE
2 DECIMAL PLACES
ANGULAR TOLERANCE:

IF IN DOUBT ASK! DO NOT SCALE DRAWING!
 FINISH: CLEAN
 MATERIAL: REFER TO INDIVIDUAL RANGES
 THE FINISHED PRODUCT SHOULD BE CLEAN AND FREE FROM ALL LIQUIDS AND DEBRIS. SURFACES SHOULD BE OF UNIFORM APPEARANCE FREE FROM SHARP EDGES, BURRS AND CORROSION

AUTHOR: DT
 EDITOR: DT
 APPROVER: WC
 THIRD ANGLE PROJECTION

DT	TITLE: PIN ORIENTATIONS	
DT	FILE: DIN SOCKET PIN ORIENTATION	
WC	PART: DIN SOCKET BASES	
SHEET 1 OF 1	ISSUE/REV. 002	VERSION 13
SCALE 2:1 A4	RELEASED	EDIT DATE 26 Apr 2018

X-ON Electronics

Largest Supplier of Electrical and Electronic Components

Click to view similar products for [Circular DIN Connectors](#) category:

Click to view products by [Deltron](#) manufacturer:

Other Similar products are found below :

[60KD4M](#) [M83723/76W22326](#) [M83723/78R22327](#) [75-069228-21J](#) [7519021610P](#) [75-190224-28S](#) [7547401103P](#) [75-474014-07L](#) [88-559975-75P](#) [88-569735-06P](#) [88-569769-19P](#) [8R3006A18M0033](#) [PT02E1283P](#) [GTC00G-24-7S](#) [PT05A-14-5SX](#) [GTC030-20-27PW-LC](#) [GTC030A-20-33S](#) [1211290078](#) [1211810025](#) [1210503216](#) [1211290084](#) [1211500027](#) [ACS06AF-16-10P\(003\)](#) [D38999/40WD35PN](#) [D38999/44WD35BN](#) [D38999/44WH21AN](#) [D38999/44WH35AN](#) [D38999/44WJ35PN](#) [12DL6MX](#) [AFD50-14-04PW-6141](#) [AFD50-14-19S-6141](#) [AFD54-10-6PN-6117 L/T](#) [AFD57-22-12S-6141](#) [MS3102R18-1PZ](#) [MS3102R28-22PZ](#) [MS3112E20-24P](#) [MS3114F10-6P](#) [MS3116E8-4SW](#) [MS3122E14-19P](#) [171-2603](#) [17DN100-EX](#) [C015-50C006-100-1](#) [NYS322AG](#) [CA3100E18-1SBF80A176](#) [CA3100F18-10SB](#) [CA3100F18-1SB](#) [CA3101E18-10SBF80](#) [CA3101E18-12SB](#) [CA3102E12S-3P](#) [CA3102E14S-2P](#)