

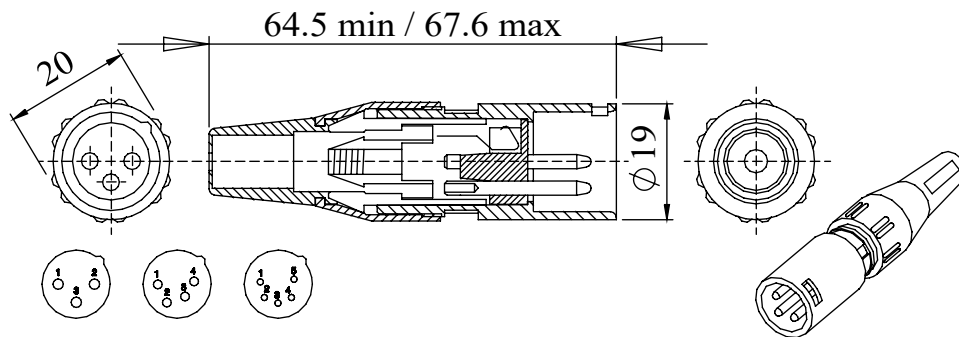
REV	DATE	ECN NUMBER	ECN COMMENT	3	4	5	6	7
007	26 Feb 2018	C03821	AMEND PLATING FINISH ON CONTACT PINS					

A RANGE OF AUDIO AND VIDEO CONNECTORS INCORPORATING MANY INNOVATIVE FEATURES. ASSEMBLY AND DISASSEMBLY IS SCREW LESS AND IS ACHIEVED BY A FEW TURNS OF THE BACK SHELL. AVAILABLE IN SATIN NICKEL OR MATT BLACK FINISH, WITH SILVER OR GOLD PLATED CONTACTS. THE STRAIN RELIEF COLLET ENSURES A POSITIVE CABLE GRIP. GENEROUS SOLDER BUCKETS ENABLE EASIER CABLE ASSEMBLY AS WELL AS CATERING FOR LARGER CONDUCTIVE SIZES. A RANGE OF COLOURED PLASTIC CODING RINGS IS ALSO AVAILABLE, EACH WITH A SINGLE NUMBER MOULDED IN, OFFERING A QUICK AND EASY SYSTEM OF CHANNEL IDENTIFICATION.

MECHANICAL PROPERTIES

CABLE RETENTION	CHUCK AND SCREW COLLAR
CABLE RANGE	Ø 2.8mm TO Ø 8.0mm
HOUSING	ZINC HIGH PRESSURE DIE-CASTING SATIN NICKEL OR BLACK CHROME
CONTACT BASE	VALOX DR48
CONTACTS	BRASS, FLASH SILVER ANTI-TARNISH FINISH OR 0.5 MICRONS GOLD
STRAIN RELIEF	P.V.C. (BLACK)
SEALING RING	SANTOPRENE (UL 94 HB)
CHUCK	ACETAL (UL 94 HB)
SCREW COLLAR	ZINC HIGH PRESSURE DIE-CASTING SATIN NICKEL OR BLACK CHROME
SCREEN	SPRING STEEL, 3 MICRONS SILVER ANTI-TARNISH
CONNECTOR IDENT	ACETAL (UL 94 HB)
IDENT OPTIONS	BLACK, BROWN, RED, ORANGE, YELLOW, GREEN, BLUE, VIOLET, GREY, WHITE
	INTERCHANGEABLE, SPRING ON COLOURED RINGS

DIMENSIONS



INSERT ARRANGEMENTS

PART No	SILVER CONTACT		GOLD CONTACT	
	NICKEL	BLACK	NICKEL	BLACK
3 WAY	701-0300	709-0300	705-0300	713-0300
4 WAY	701-0400	709-0400	705-0400	713-0400
5 WAY	701-0500	709-0500	705-0500	713-0500

ELECTRICAL

RATED VOLTAGE	50 V A.C.
TEST VOLTAGE	1000 V R.m.s.
INSULATION RESISTANCE	103 MΩ
AFTER DAMP HEAT	500 MΩ
CONTACT RESISTANCE	10 MΩ MAX
CURRENT RATING AT 40 DEG C	3 PIN - 15 AMP 4 PIN - 10 5 PIN - 7.5 AMP
CURRENT RATING AT 70 DEG C	3 PIN - 7.5 AMP 4 PIN - 5 5 PIN - 3 AMP
TERMINAL WIRE SIZES	3 PIN 2.5 mm ² / 14 AWG 4 PIN 1.5 mm ² / 16 AWG 5 PIN 1.0 mm ² / 18 AWG

CLIMATIC

CLIMATIC CATEGORY	25/070/04
TEMPERATURE RANGE	-25°C TO +70°C
DAMP HEAT, STEADY STATE	4 DAYS

		PROPRIETARY AND CONFIDENTIAL: THE INFORMATION CONTAINED IN THIS DRAWING IS THE SOLE PROPERTY OF ALPHA 3 MANUFACTURING. ANY REPRODUCTION IN PART OR AS A WHOLE WITHOUT THE WRITTEN PERMISSION OF ALPHA 3 MANUFACTURING IS PROHIBITED. DEM Manufacturing is a division of Alpha 3 Manufacturing LTD DEM Manufacturing, Deltron Emcon House, Hargreaves Way, Sawcliffe Ind. Park, Scunthorpe, North Lincolnshire, DN15 8RF, UK		UNLESS OTHERWISE SPECIFIED DIMENSIONS ARE IN MILLIMETRES LINEAR & RADIAL TOLERANCE: NO DECIMAL PLACES ±0.2mm 1 DECIMAL PLACE ±0.1mm 2 DECIMAL PLACES ±0.05mm ANGULAR TOLERANCE: ±1°		IF IN DOUBT ASK! DO NOT SCALE DRAWING! FINISH SEE NOTES MATERIAL SEE NOTES THE FINISHED PRODUCT SHOULD BE CLEAN AND FREE FROM ALL LIQUIDS AND DEBRIS. SURFACES SHOULD BE OF UNIFORM APPEARANCE FREE FROM SHARP EDGES, BURRS AND CORROSION		AUTHOR Shaun Barron EDITOR DT APPROVER AY THIRD ANGLE PROJECTION		TITLE GENERAL SPECIFICATION FILE 7000 MULTIPOLE CONNECTOR PART 701-705-709-713 SHEET 1 OF 1 SCALE 1:1 A4 ISSUE/REV. 007 RELEASED VERSION 12 EDIT DATE 26 Feb 2018	
+44(0)1724 273200 www.dem-uk.com											

X-ON Electronics

Largest Supplier of Electrical and Electronic Components

Click to view similar products for [XLR Connectors](#) category:

Click to view products by [Deltron](#) manufacturer:

Other Similar products are found below :

[707-0300](#) [A3F01](#) [QGP3F](#) [HA16PRM-3SG\(71\)](#) [AA3FL](#) [AAA4FWZ](#) [AAA4MWZ](#) [AC5FPZB](#) [AC6AFDZV](#) [D4FB](#) [DE4MW](#) [E3MBAUSW](#)
[99.265.0400.0](#) [A3F04](#) [AC3FG](#) [AC4-FCP](#) [AQG4F](#) [2504FP](#) [R6MZ](#) [3FD-V-I-B](#) [3MD-V-I-B](#) [TA01](#) [TA3MWX](#) [TA5MLWX](#) [TRASM4M1X](#)
[TRASM7M1X](#) [ML1](#) [TS05TS](#) [3FD-L-I-\(O\)](#) [D6FDB](#) [DB25FTRS](#) [DHNF-BAG-MAD](#) [DHNF-BAG-O](#) [DHNM-BAG](#) [XLRF05TRS](#)
[XLRM05XLRFB](#) [XLRM05XLRFB](#) [XLRM10XLRFB](#) [E3FBAUSW](#) [E3FSW](#) [E3MSW](#) [SR03](#) [TA4FLWX](#) [TA6FLWX](#) [TRAPC8M1X](#)
[TRASM6M1X](#) [TRS10TRS](#) [TRSF05XLRM](#) [TRSF10XLRM](#) [TS10TS](#)