

A range of panel mounting audio and video connectors incorporating many innovative features, compatible with all leading manufacturer's cable plugs.

-Pressed socket contacts which 'float' to assist plug mating, also ensuring a positive 'wrap round' contact with the pin, which can 'move' with the pins should any movement occur between mating connectors.

-A simple press down, squeeze clip release mechanism makes it particularly easy to use.

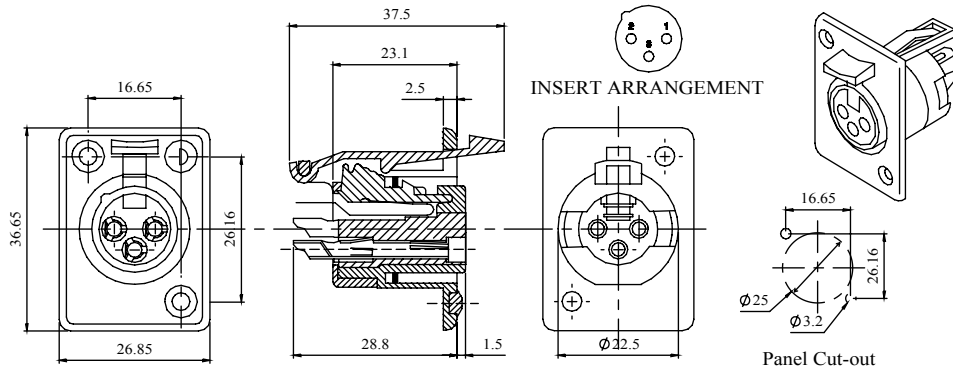
-Generous solder buckets enable easier cable assembly as well as catering for larger conductor sizes.

-Available in satin nickel or black chrome finish.

Mechanical Properties

| | |
|--------------|---|
| Housing | Zinc high pressure diecasting satin nickel or black chrome |
| Contact base | Valox DR48, black |
| Contacts | Phos bronze (pressed) 3 micron silver |
| Collar | anti tarnish or 0.5 micron gold |
| Latch | Polypropylene, VIR222, black |
| Sealing ring | Zinc high pressure diecasting satin nickel or black chrome |
| Screen | Santoprene (UL94HB) |
| | Spring steel, 3 micron silver anti tarnish |

Dimensions



Electrical

| | |
|----------------------------|--|
| Rated Voltage | 50 V a.c. |
| Test Voltage | 1000 V r.m.s. |
| Insulation Resistance | 103 MΩ |
| After damp heat | 500 MΩ |
| Contact Resistance | 10 mΩ max |
| Current Rating at 40 deg C | 3 pin - 15 amp 4 pin - 10 5 pin - 7.5 amp |
| Current Rating at 70 deg C | 3 pin - 7.5 amp 4 pin - 5 5 pin - 3 amp |
| Terminal wire sizes | 3 pin 2.5 mm ² / 14 AWG 4 pin 1.5 mm ² / 16 AWG 5 pin 1.0 mm ² / 18 AWG |
| Climatic | |
| Climatic category | 25/070/04 |
| Temperature Range | -25°C to +70°C |
| Damp heat, steady state | 4 days |

RoHS
2002/95/EC

Compliant

| Deltron Part No | Silver Contacts | | Gold Contacts | |
|-----------------|-----------------|----------|---------------|----------|
| | Nickel | Black | Nickel | Black |
| 3-Way | 702-0300 | 710-0300 | 706-0300 | 714-0300 |

Tel No. +44(0)1724 273200 Website www.dem-uk.com

PROPRIETARY AND CONFIDENTIAL
THE INFORMATION CONTAINED IN THIS DRAWING IS THE SOLE PROPERTY OF
ALPHA 3 MANUFACTURING.
ANY REPRODUCTION IN PART OR AS A WHOLE WITHOUT THE WRITTEN PERMISSION OF
ALPHA 3 MANUFACTURING IS PROHIBITED.

UNLESS OTHERWISE SPECIFIED:
DIMENSIONS ARE IN MILLIMETRES
LINEAR TOLERANCE:
NO DECIMAL PLACES ±0.5mm
1 DECIMAL PLACE ±0.25mm
2 DECIMAL PLACES ±0.125mm
ANGULAR TOLERANCE: ±1°



DEM Manufacturing, Deltron Emcon House
Hargreaves Way, Sawcliffe Ind. Park,
Scunthorpe, North Lincolnshire, DN15 8RF, UK

FINISH PROFESSIONAL QUALITY
PANEL SOCKET

DEBURR AND BREAK
SHARP EDGES

DRAWN BY
APPROVED BY

SPB
WC

IF IN DOUBT ASK
DO NOT SCALE DRAWING

THIRD ANGLE PROJECTION



SHEET 1 OF 1

SCALE 1:1
A4

TITLE GENERAL SPECIFICATION
MULTIPOLE CONNECTOR
PANEL SOCKET

DRAWING NO. 702-706-710-714

ISSUE **09**
Release

X-ON Electronics

Largest Supplier of Electrical and Electronic Components

Click to view similar products for [XLR Connectors](#) category:

Click to view products by [Deltron](#) manufacturer:

Other Similar products are found below :

[707-0300](#) [A3F01](#) [QGP3F](#) [HA16PRM-3SG\(71\)](#) [AA3FL](#) [AAA4FWZ](#) [AAA4MWZ](#) [AC5FPZB](#) [AC6AFDZV](#) [D4FB](#) [DE4MW](#) [E3MBAUSW](#)
[99.265.0400.0](#) [A3F04](#) [AC3FG](#) [AC4-FCP](#) [AQG4F](#) [2504FP](#) [R6MZ](#) [3FD-V-I-B](#) [3MD-V-I-B](#) [TA01](#) [TA3MWX](#) [TA5MLWX](#) [TRASM4M1X](#)
[TRASM7M1X](#) [ML1](#) [TS05TS](#) [3FD-L-I-\(O\)](#) [D6FDB](#) [DB25FTRS](#) [DHNF-BAG-MAD](#) [DHNF-BAG-O](#) [DHNM-BAG](#) [XLR05TRS](#)
[XLRM05XLRFB](#) [XLRM05XLRFB](#) [XLRM10XLRFB](#) [E3FBAUSW](#) [E3FSW](#) [E3MSW](#) [SR03](#) [TA4FLWX](#) [TA6FLWX](#) [TRAPC8M1X](#)
[TRASM6M1X](#) [TRS10TRS](#) [TRSF05XLRM](#) [TRSF10XLRM](#) [TS10TS](#)