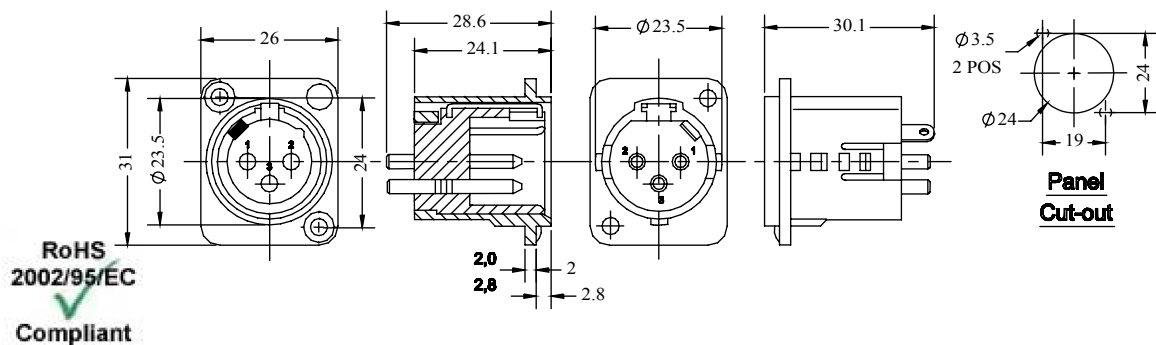


The 7000 Universal Range of audio and Video Connectors employs many innovative features unique to the Deltron series. They are suitable for use in both commercial and industrial electronic applications, where reliability, simple operation and the elimination of RF and mechanical interference is necessary. Common uses included mixing desks, tape recorders, video recorders, DAT recorders and test instructions.

Features

- completely interchangeable with all leading manufactures of XLRs.
- can be mounted from either the front or rear face
- HOUSING: a rugged diecasting offering full RF protection, with small industrial standard flange.
- INSERT: thermoplastic with high mechanical, thermal and electrical properties, excellent chemical resistance and dimensional stability.
- CONTACTS: precision machined in brass with generous solder buckets to accept a wide range of cable sizes.
- SHELL TO GROUND TERMINAL: silver plated straight through connection.

Dimensions



Deltron Part No	Silver Contacts		Gold Contacts	
	Nickel	Black	Nickel	Black
3-way	717-0300	719-0300	723-0300	725-0300
4-way	717-0400	719-0400	723-0400	725-0400
5way	717-0500	719-0500	723-0500	725-0500

Specification Mechanical Properties

Housing	Zinc high pressure diecast Satin nickel or black chrome
Contact Base	Valox DR48 UL 94V-0
Contacts	Brass, 3 microns silver, anti-tarnish
Earth Tag	Finish, or 0.5 microns gold Spring Steel, Nickel plate 3 microns silver plate
Electrical	
Rated Voltage	50 V a.c.
Test Voltage	1000 V r.m.s.
Insulation Resistance	103 MΩ
After damp heat	500 MΩ
Contact Resistance	10 mΩ max
Current Rating at 40 deg C	3 pin - 15 amp 4 pin - 10 5 pin - 7.5 amp
Current Rating at 70 deg C	3 pin - 7.5 amp 4 pin - 5 5 pin - 3 amp
Terminal wire sizes	3 pin 2.5 mm ² / 14 AWG 4 pin 1.5 mm ² / 16 AWG 5 pin 1.0 mm ² / 18 AWG
Climatic	
Climatic category	25/070/04
Temperature Range	-25°C to +70°C
Damp heat, steady state	4 days

Tel No. +44(0)1724 273200 Website www.dem-uk.com

Alpha3 manufacturing ROXBURGH EMC DELTRON Components DELTRON Enclosures

PROPRIETARY AND CONFIDENTIAL THE INFORMATION CONTAINED IN THIS DRAWING IS THE SOLE PROPERTY OF ALPHA 3 MANUFACTURING. ANY REPRODUCTION IN PART OR AS A WHOLE WITHOUT THE WRITTEN PERMISSION OF ALPHA 3 MANUFACTURING IS PROHIBITED. DEM Manufacturing, Deltron Emcon House Hargreaves Way, Sawcliffe Ind. Park, Scunthorpe, North Lincolnshire, DN15 8RF, UK

UNLESS OTHERWISE SPECIFIED: DIMENSIONS ARE IN MILLIMETRES LINEAR TOLERANCE: NO DECIMAL PLACES ±0.5mm 1 DECIMAL PLACE ±0.25mm 2 DECIMAL PLACES ±0.125mm ANGULAR TOLERANCE: ±1°

FINISH PROFESSIONAL QUALITY CHASSIS PLUG DEBURR AND BREAK SHARP EDGES DRAWN BY SPB APPROVED BY WC THIRD ANGLE PROJECTION SHEET 1 OF 1 SCALE 1:1 A4 MATERIAL N/A

IF IN DOUBT ASK DO NOT SCALE DRAWING

TITLE GENERAL SPECIFICATION MULTIPOLE CONNECTOR CHASSIS PLUG DRAWING NO. 717-719-723-725 ISSUE 11 Release

X-ON Electronics

Largest Supplier of Electrical and Electronic Components

Click to view similar products for [XLR Connectors](#) category:

Click to view products by [Deltron](#) manufacturer:

Other Similar products are found below :

[707-0300](#) [8800235](#) [91101181024](#) [91201231](#) [91214571](#) [A3F01](#) [A3M01](#) [QGP3F](#) [HA16PRQ-3SE\(71\)](#) [AA3FL](#) [AAA4FWZ](#) [AAA4MWZ](#)
[AC3-MIC](#) [AC4-MIC](#) [AC5FPZB](#) [AC6AFDZV](#) [AC7FDZB](#) [D4FB](#) [DE4MW](#) [DHNF-BAG](#) [E3MBAUSW](#) [NA2FP-UW](#) [NA3MP-UW](#)
[NC3FBHR1-0](#) [NC3FD-H-0](#) [NC3FK-V](#) [NC3FX-1](#) [NC3FXY-B](#) [NC3MDM3-H-B](#) [NC3MK-V](#) [NC3MXY](#) [NC4FD-LX-0](#) [NC5FX-HD-B](#)
[NC6FSXX-BAG](#) [NC6MD-LX-BAG](#) [NC6MSX-BAG](#) [91210071096](#) [SL05](#) [99.265.0400.0](#) [A3F04](#) [AC3FG](#) [AC3MMG](#) [AC4-FCP](#) [AC4FPZ](#)
[AQG4F](#) [2504FP](#) [30-498-2](#) [R6MZ](#) [CXX-15](#) [3FD-H-I](#)