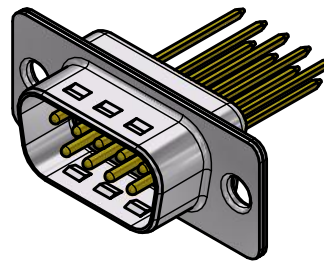
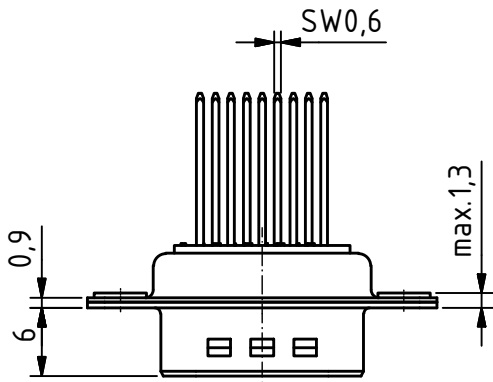
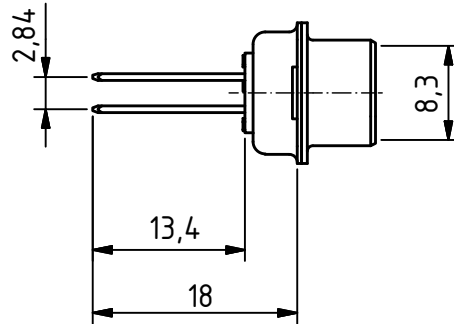
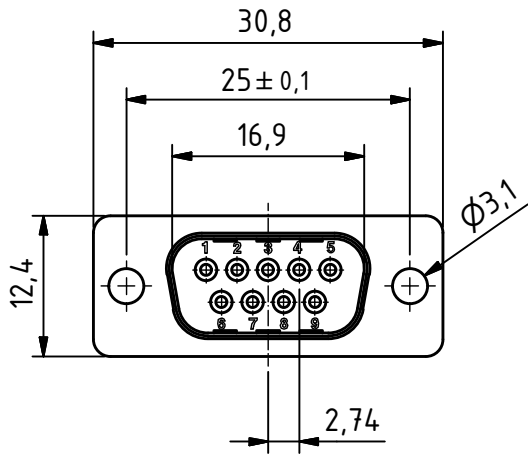


RoHS compliant



IP protection grade: IP50

MATERIALS

- Insulator: Thermoplastic UL 94-V-0 white
- Contact: Machined / Copper alloy
- Contact finish: Quality class 2
- Shell: steel tin plated

CHARAKTERISTICS

- Working voltage: 125V
- Current rating: 7.5A
- Contact resistance: max. 10mΩ - DIN41652
- Insulation resistance: >5GΩ
- Temperature range: -55° to +125°C

| General tolerances (Deltron standard) | | | |
|---------------------------------------|---------|----------|-----------|
| size in mm | | | |
| > 0.5 | > 3 | > 6 | > 30 |
| up to 3 | up to 6 | up to 30 | up to 120 |
| tolerances | | | |
| ±0.1 | ±0.2 | ±0.2 | ±0.3 |

| | | | | | | |
|--------------|-----------------------|--|------------|--------------------------|--|--|
| modification | Rev. a) 02.02.2017 mr | Rev. | Rev. | DE001490 part no. | | |
| | Rev. | Rev. | Rev. | | | |
| DTS09PW3/2 | 1.5:1 scale | drawn | 07.06.2012 | mr | | |
| | | checked | | | | |
| | | approved | | | | |
| | | Industrie Neuhof 8c CH-3422 Kirchberg www.d-sub.swiss | | K050043 a drawing no. | | |

X-ON Electronics

Largest Supplier of Electrical and Electronic Components

Click to view similar products for [Deltron AG](#) manufacturer:

Other Similar products are found below :

[CTL15RUN4](#) [CTL25RUN4](#) [CTL25UN4](#) [CTL37RUN4](#) [CTL37UN4](#) [CTLM09UN4](#) [CTLM15RUN4](#) [CTLM25RUN4](#) [CTLM25UN4](#)
[CTLM37RUN4](#) [DC09UN4](#) [DC15UN4](#) [DC37UN4](#) [DTS09PW3/2](#) [DTS09PYC/2M66UN](#) [DTS09SYC/2M66UN](#) [DTS15PW3/2](#)
[DTS15PY/2M86UN](#) [DTS15PYC/2M66UN](#) [DTS15SZ/2](#) [DTS25PY/2M86UN](#) [DTS25PYC/2M66UN](#) [DTS25PZ/2](#) [DTS37PX](#)
[DTS37PY/2M86UN](#) [DTS37PYC/2M66UN](#) [DTS37PZ/2](#) [DTS37SX](#) [DTS37SY/2M86UN](#) [DTS37SYC/2M66UN](#) [DTS50PY/2M86UN](#)
[DTS50SX](#) [DTS50SZ/2](#) [HD-D26SY/2](#) [HD-D44PY/2](#) [HD-D44SY/2](#) [HD-D62PY/2](#) [HD-D62PY/2M86UN](#) [HD-D62SY/2](#) [HD-D62SY/2M86UN](#)
[HD-D78PY/2](#) [HD-D78PY/2M86UN](#) [HD-D78SY/2](#) [HD-D78SY/2M86UN](#)