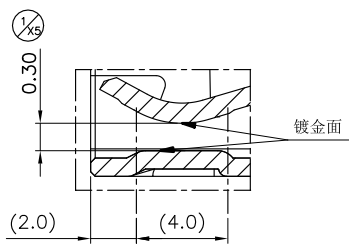
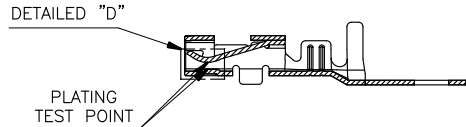
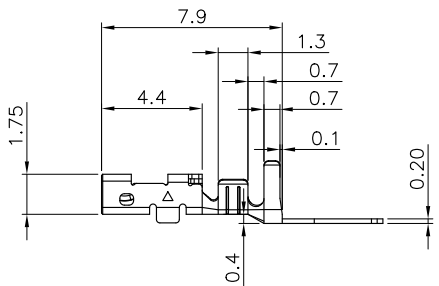
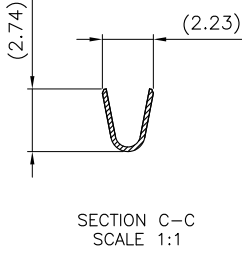
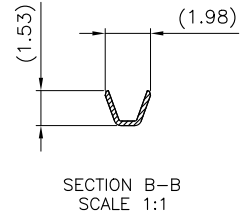
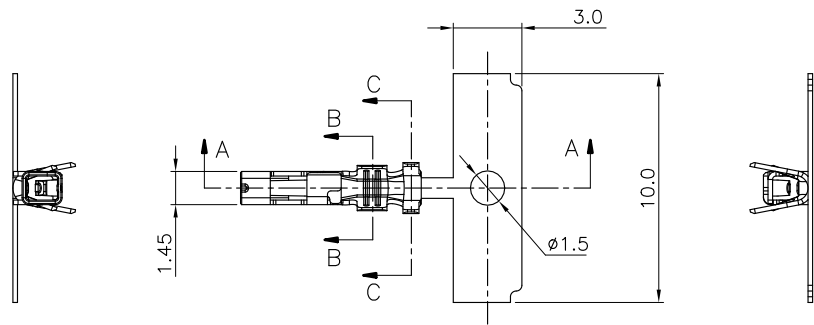


| REV. | ECN NO. | LOCATION | DESCRIPTION | DATE | DESIGN |
|------|---------|----------|-----------------|------------|------------|
| X1 | | | INITIAL RELEASE | 2022.02.19 | Liangkeyao |
| X3 | | ①/X3 | 增加编码电镀规格 | 2022.12.20 | Tanghaibo |
| X4 | | ①/X4 | 修改编码电镀选项 | 2023.02.18 | Tanghaibo |
| X5 | | ①/X5 | 图面增加尺寸 | 2023.06.01 | Tanghaibo |



SECTION A-A
SCALE 1:1

DETAILED "D"
SCALE 4:1

PART NUMBER INFORMATION:

5600BG-001R * * R * 0000

- RESERVE NUMBER
- BOX MARK:
 - 1: WITH DEREN LOGO
 - 2: WITHOUT DEREN LOGO
- PACKAGE CODE:
- R: REEL
- PLATING CODE:
 - 4: Au:15u"
 - 6: Sn:OVER TIN
- WIRE RANGE:
 - 1:28~30AWG
 - 2:22~28AWG
 - 3:18~22AWG

NOTES:

1. MATERIAL: COPPER ALLOY, T=0.20mm
2. FINISH: SEE PART NUMBER INFORMATION MIN. Au TIN PLATING ON CONTACT AREA. 50u" [1.27um] MIN. NICKEL UNDERPLATING ON ALLOVER AREA.
3. WIRE RANGE:SEE PART NUMBER INFORMATION
4. SALT SPRAY: 24hours.

| DIM | TOL | DIM | TOL |
|-----|-------|-----|-----|
| .x. | ±0.30 | .x. | ±3* |
| .x | ±0.30 | .x | ±3* |
| .xx | ±0.30 | | |

| | | | | | |
|-------------|--|------------------------------------|--|------------|----------------------------|
| | | DEREN | | | |
| | | SHENZHEN DEREN ELECTRONIC CO., LTD | | | |
| DRAW NO. | | DESIGN: | | DATE | TITLE: |
| SC2208657-1 | | tanghaibo | | 2023.06.01 | WTB STD CONTACT PLATING |
| REV. X5 | | APPROVAL: | | | P/N: 5600BG-001R**R*0000 |
| | | | | | SHEET: 1/1 |
| | | | | | SCALE: 1:1 |
| | | | | | UNIT: mm |

X-ON Electronics

Largest Supplier of Electrical and Electronic Components

Click to view similar products for [Headers & Wire Housings](#) category:

Click to view products by [DEREN](#) manufacturer:

Other Similar products are found below :

[0015917161](#) [0022155065](#) [57102-F02-18ULF](#) [58102-G61-06LF](#) [582553-1](#) [01.001.5753.1](#) [0050291907](#) [02.125.8002.8](#) [609-3404](#) [61062-3](#)
[CSU011177004](#) [622-0430](#) [622-3653LF](#) [63453-116](#) [636-1030](#) [636-1427](#) [636-3427](#) [636-4007](#) [641938-9](#) [65495-038](#) [65692-001LF](#) [65781-018](#)
[65781-047](#) [65817-010LF](#) [65817-015LF](#) [67095-007LF](#) [67601157](#) [68631-112](#) [699319-000](#) [70.362.1628.0](#) [70-4210](#) [70-4226B](#) [70-4853B](#) [707-](#)
[5028](#) [71.350.2428.0](#) [733-134](#) [733-162](#) [760-3052](#) [MHR-64-VUAL](#) [80.063.4001.1](#) [800-90-001-10-001000](#) [801-43-002-10-013000](#)
[801-43-006-10-002000](#) [803-43-024-10-001000](#) [803-93-012-10-001000](#) [8-1437020-4](#) [819-22-004-30-001101](#) [820-22-006-30-001101](#)
[820-22-008-30-001101](#) [821-22-002-10-001101](#)