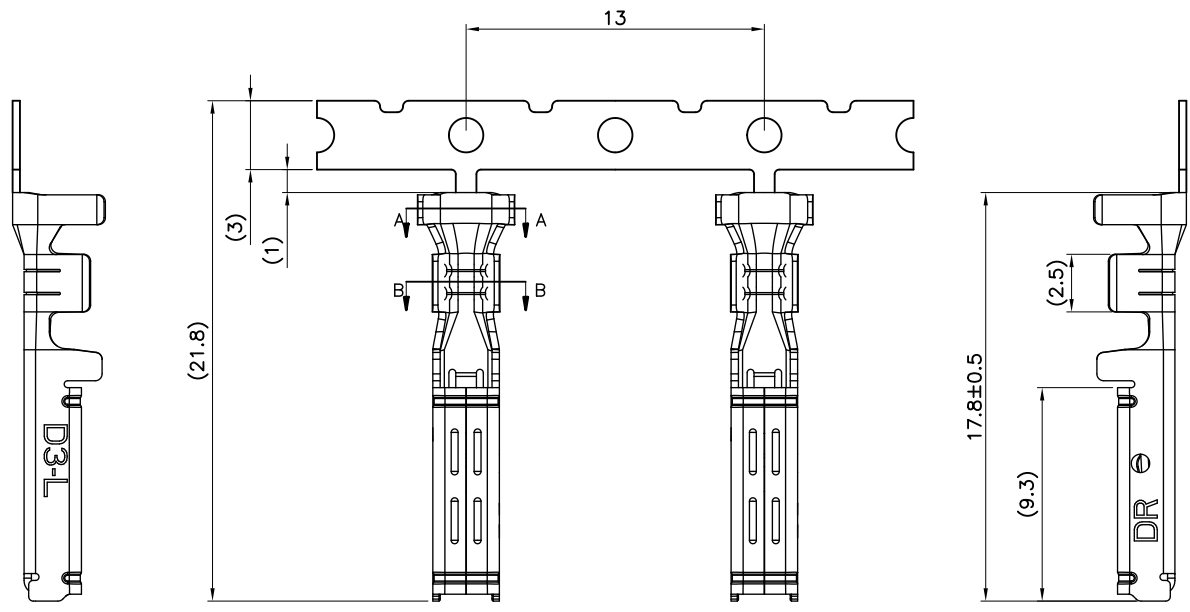


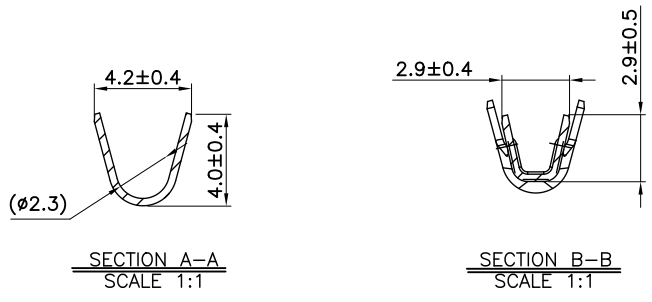
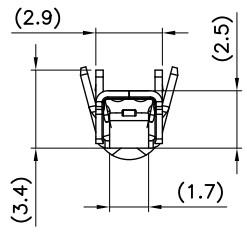
REV.	ECN NO.	LOCATION	DESCRIPTION	DATE	DESIGN
X1			INITIAL RELEASE	22,11,29	JACKY
X2			Modify plating specification	23,04,18	JACKY
X3			Add packaging drawings	23,07,13	JACKY



NOTES:

- MATERIAL: COPPER ALLOY
- FINISH:
SEE PART NUMBER INFORMATION. Au PLATING ON CONTACT AREA.
30u" [0.76um] MIN NICKEL UNDERPLATING ON ALLOVER AREA.
- WIRE RANGE: SEE PART NUMBER INFORMATION.
- CONTACT TYPE; LOW PRESSURE TYPE (FOR GENERAL)
- CONTACT TYPE; HIGH PRESSURE TYPE (FOR GENERAL)
(FOR HIGH CURRENT OR ANTI-VIBRATION)
- GOLD PL. CONTACT AREA ONLY
- UNSPECIFIED TOLERANCE: X.±0.30 X.±3°
.X±0.25 .X±3°
.XX±0.20
- PART NUMBER INFORMATION:
5600BG-003R * * R * 0000

RESERVE NUMBER
BOX MARK:
1: WITH DEREN LOGO
2: WITHOUT DEREN LOGO
PACKAGE CODE:
R: REEL
PLATING CODE:
4: Au:15u"
6: BRIGHT-TIN:ALL OVER AREA
WIRE RANGE:
1:16~20AWG(INSULATION DIA:φ1.8~2.8mm)

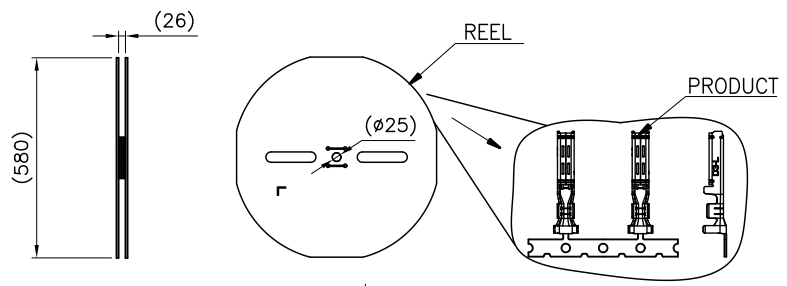


DIM	TOL	DIM	TOL	DEREN SHENZHEN DEREN ELECTRONIC CO., LTD			
X.	±0.30	X.	±2°	C-DWG:	DESIGN: JACKY	DATE: 23,07,13	TITLE: DR380 WIRE REC CONTACT PLATING
.X	±0.25	.X	±1°				P/N: 5600BG-003R**R*0000
.XX	±0.20			DRAW NO. SC2309386-1	CHECK:		SHEET: 1/2
				REV. X3	APPROVAL:		SCALE: N/A UNIT: mm

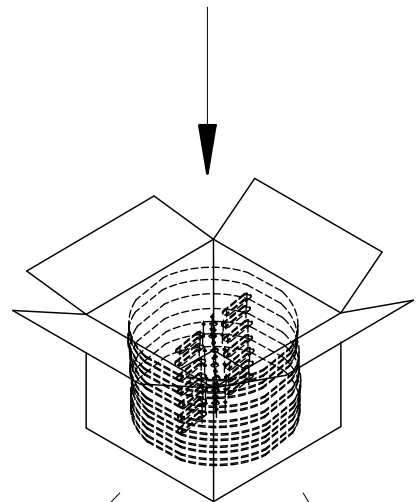
1 2 3 4 5 6 7 8

REV.	ECN NO.	LOCATION	DESCRIPTION	DATE	DESIGN
X1			INITIAL RELEASE	22,11,29	JACKY
X2			Modify plating specification	23,04,18	JACKY
X3			Add packaging drawings	23,07,13	JACKY

A

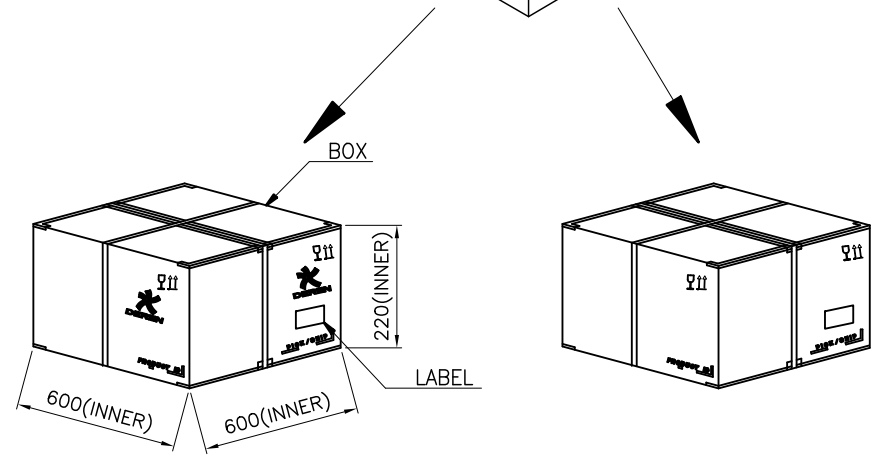


B




PART NO.	KPCS/REEL	REEL/BOX	KPCS/BOX
5600BG-003R**R*0000	4	5	20

C



D

E

DIM	TOL	DIM	TOL	DEREN SHENZHEN DEREN ELECTRONIC CO., LTD				
X.	± 0.30	X.	$\pm 2^\circ$		C-DWG:		DATE	TITLE: DR380 WIRE REC CONTACT PLATING
.X	± 0.25	.X	$\pm 1^\circ$		DESIGN:	JACKY	23,07,13	P/N: 5600BG-003R**R*0000
.XX	± 0.20			DRAW NO.	SC2309386-1	CHECK:		SHEET: 2/2
				REV.	X3	APPROVAL:		SCALE: N/A
								UNIT: mm

1 2 3 4 5 6 7 8

X-ON Electronics

Largest Supplier of Electrical and Electronic Components

Click to view similar products for [Headers & Wire Housings](#) category:

Click to view products by [DEREN](#) manufacturer:

Other Similar products are found below :

[0015917161](#) [0022155065](#) [57102-F02-18ULF](#) [58102-G61-06LF](#) [582553-1](#) [01.001.5753.1](#) [0050291907](#) [02.125.8002.8](#) [609-3404](#) [61062-3](#)
[CSU011177004](#) [622-0430](#) [622-3653LF](#) [63453-116](#) [636-1030](#) [636-1427](#) [636-3427](#) [636-4007](#) [641938-9](#) [65495-038](#) [65692-001LF](#) [65781-018](#)
[65781-047](#) [65817-010LF](#) [65817-015LF](#) [67095-007LF](#) [67601157](#) [68631-112](#) [699319-000](#) [70.362.1628.0](#) [70-4210](#) [70-4226B](#) [70-4853B](#) [707-](#)
[5028](#) [71.350.2428.0](#) [733-134](#) [733-162](#) [760-3052](#) [MHR-64-VUAL](#) [80.063.4001.1](#) [800-90-001-10-001000](#) [801-43-002-10-013000](#)
[801-43-006-10-002000](#) [803-43-024-10-001000](#) [803-93-012-10-001000](#) [8-1437020-4](#) [819-22-004-30-001101](#) [820-22-006-30-001101](#)
[820-22-008-30-001101](#) [821-22-002-10-001101](#)