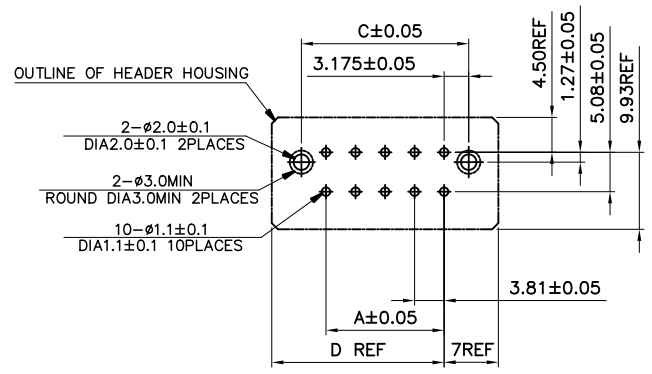
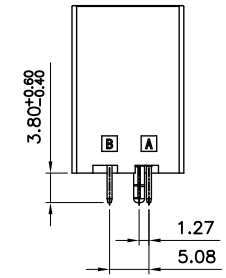
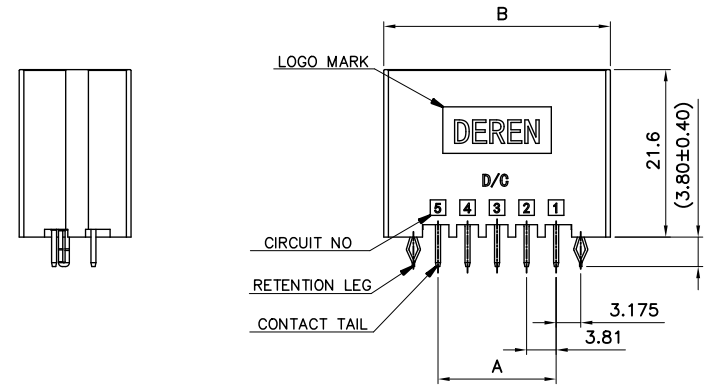
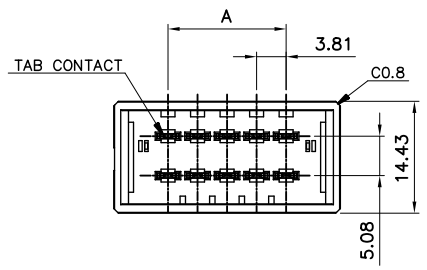


REV.	ECN NO.	LOCATION	DESCRIPTION	DATE	DESIGN
X1			INITIAL RELEASE	22,11,28	JACKY
X3			Modify part number rules	23,06,30	JACKY
X4			Add packaging drawings	23,07,13	JACKY



RECOMEND PC BOARD HOLE PATTERN
 PC BOARD THICKNESS: 1.6±0.1
 (NOT ACCUMULATE TOLERANCE)
 (CONNECTOR MOUNT SIDE)

- NOTES:
PRODUCT MUST MEET CONTROLLED SUBSTANCES SPEC. ROHS 2.0
 1. MATERIAL: HOUSING: GLASS FILED THERMO PLASTIC POLYESTER
 COLOR: SEE MATERIAL NUMBER CODING RULES
 CONTACT: COPPER ALLOY
 RETENTION LEG: COPPER ALLOY
 2. FINISH(ALL OVER): NICKEL PLATING 30u" MIN
 3. FINISH(CONTACT AREA): GOLD PLATING SPECIFICATIONS
 REFER TO THE FOLLOWING MATERIAL
 NUMBER CODE SPECIFICATIONS
 4. FINISH(CONTACT TAIL): TIN PLATED 80u" MIN
 5. FINISH(RETENTION LEG): TIN PLATED
 6. PAIRING LINE END PLASTIC SPECIFICATION: SEE TABLE
 7. PAIRING LINE TERMINAL SPECIFICATION: 5600BG-003R*****
 8. UNSPECIFIED TOLERANCE: X.±0.50 X.±5"
 .X±0.40 .X±3"
 .XX±0.30 .XX±3"
 9. PART NO.: 56**BG-**** * * * * V000

- RESERVE NUMBER
- PACKAGE CODE:
P: TUBE
T: TRAY
- LOGO MARK:
1: WITH DEREN LOGO
2: WITHOUT LOGO
- PLATING CODE:
4: Au-15u"
- 6: BRIGHT-TIN: ALL OVER AREA
- HOUSING COLOR:
1: BLACK
2: WHITE
- WATER CODE: 001~ZZZ
- POS CODE:
06: 6POS
08: 8POS
0A: 10POS
0C: 12POS
0E: 14POS
0G: 16POS
0J: 18POS
0L: 20POS

20	560LBC-013R****V000	34.29	48.29	40.64	41.29	560LBC-014R***00000
18	560JBG-005R****V000	30.48	44.48	36.83	37.48	560JBG-006R***00000
16	560GBG-011R****V000	26.67	40.67	33.02	33.67	560GBG-012R***00000
14	560EBG-005R****V000	22.86	36.86	29.21	29.86	560EBG-006R***00000
12	560CBG-011R****V000	19.05	33.05	25.40	26.05	560CBG-012R***00000
10	560ABG-015R****V000	15.24	29.24	21.59	22.24	560ABG-016R***00000
08	5608BG-008R****V000	11.43	25.43	17.78	18.43	5608BG-009R***00000
06	5606BG-014R****V000	7.62	21.62	13.97	14.62	5606BG-015R***00000
POS	PART NUMBER	A	B	C	D	PAIRING LINE END PLASTIC SPECIFICATION

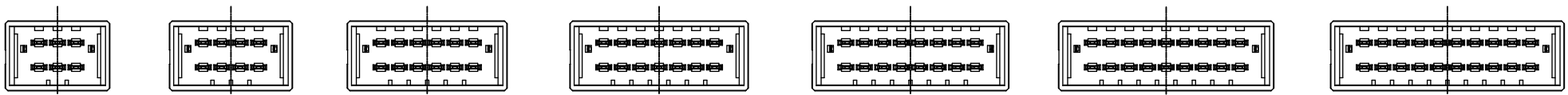
DIM	TOL	DIM	TOL	DEREN			
X.	±0.30	X.	±2°	SHENZHEN DEREN ELECTRONIC CO., LTD			
.X	±0.25	.X	±1°				
.XX	±0.20			C-DWG:	DATE	TITLE: DR380 D_Board Plug_6~20Pin Pitch3.81 180°_DIP_ASSY	
				DRAW NO. SC2309323-1	DESIGN: JACKY	23,07,13	P/N: 56**BG-****R****V000
				REV. X4	CHECK:		SHEET: 1/3
				APPROVAL:			SCALE: N/A UNIT: mm

1 2 3 4 5 6 7 8

REV.	ECN NO.	LOCATION	DESCRIPTION	DATE	DESIGN
X1			INITIAL RELEASE	22,11,28	JACKY
X3			Modify part number rules	23,06,30	JACKY
X4			Add packaging drawings	23,07,13	JACKY

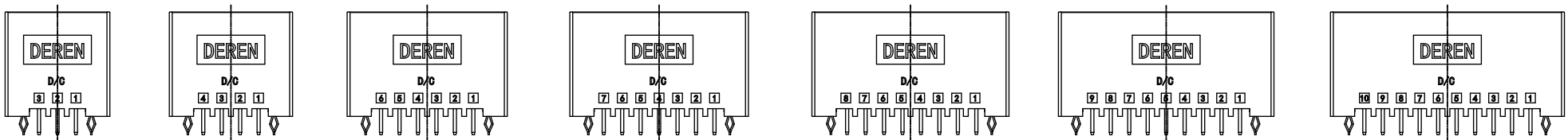
A

A



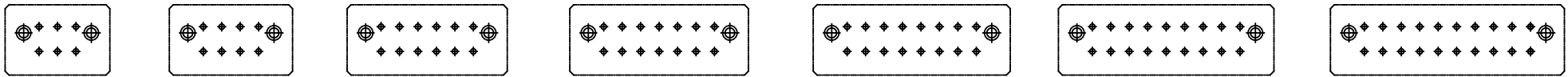
B

B



C

C



6POS

8POS

12POS

14POS

16POS

18POS


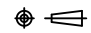
20POS

D

D

E

E

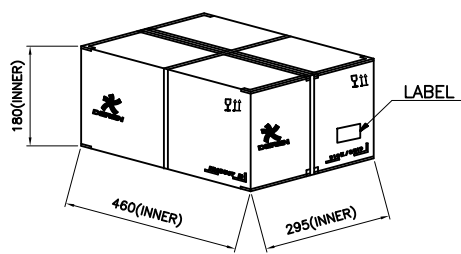
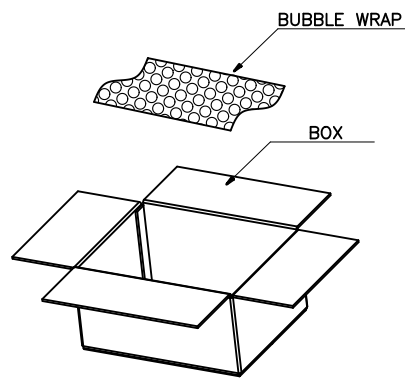
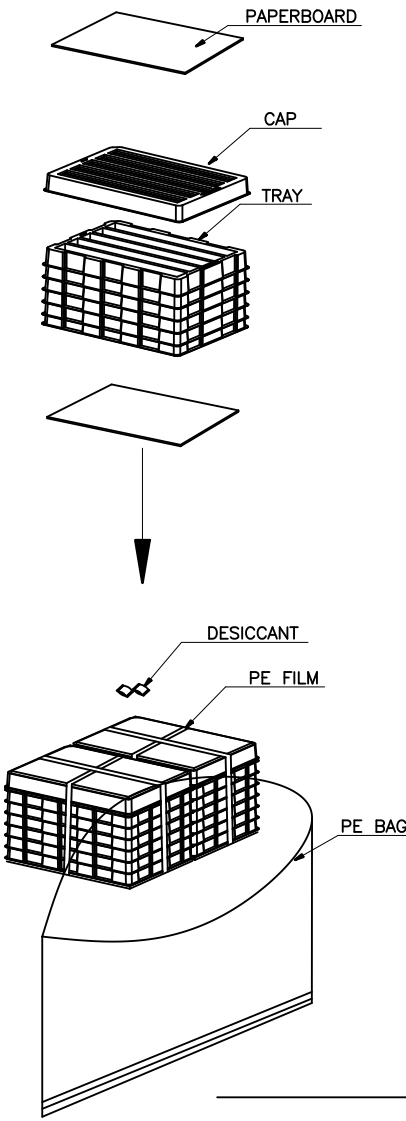
DIM	TOL	DIM	TOL	 DEREN SHENZHEN DEREN ELECTRONIC CO., LTD
X.	±0.30	X.	±2°	
.X	±0.25	.X	±1°	
.XX	±0.20			
DRAW NO. SC2309323-1				C-DWG: DATE: 23,07,13
REV. X4				DESIGN: JACKY CHECK: APPROVAL:
				TITLE: DR380 D_Board Plug_6~20Pin Pitch3.81 180°_DIP_ASSY
				P/N: 56**BG-***R****V000
				SHEET: 2/3 
				SCALE: N/A UNIT: mm

1 2 3 4 5 6 7 8

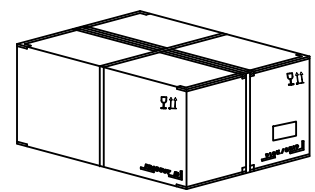
1 2 3 4 5 6 7 8

REV.	ECN NO.	LOCATION	DESCRIPTION	DATE	DESIGN
X1			INITIAL RELEASE	22,11,28	JACKY
X3			Modify part number rules	23,06,30	JACKY
X4			Add packaging drawings	23,07,13	JACKY

A
B
C
D
E



WITH DEREN LOGO
(Used for logo products)



WITHOUT LOGO
(Used for logo-free products)

PACKAGE QUANTITY:

PART NO.	POS	PCS/TRAY	TRAY/BOX	PCS/BOX
5606BG-014R***TV000	6	55	12	660
5608BG-008R***TV000	8	50	12	600
560ABG-015R***TV000	10	40	12	480
560CBG-011R***TV000	12	35	12	420
560EBG-005R***TV000	14	30	12	360
560GBG-011R***TV000	16	30	12	360
560JBG-005R***TV000	18	25	12	300
560LBG-013R***TV000	20	25	12	300

DIM	TOL	DIM	TOL
X.	±0.30	X.	±2°
.X	±0.25	.X	±1°
.XX	±0.20		



DEREN
SHENZHEN DEREN ELECTRONIC CO., LTD

DRAW NO.
SC2309323-1

C-DWG: [] DATE: 23,07,13
DESIGN: JACKY
CHECK: []
APPROVAL: []

TITLE: DR380 D_Board Plug_6~20Pin Pitch3.81 180_DIP_ASSY
P/N: 56**BG-***R****V000
SHEET: 3/3
SCALE: N/A UNIT: mm

1 2 3 4 5 6 7 8

X-ON Electronics

Largest Supplier of Electrical and Electronic Components

Click to view similar products for [Headers & Wire Housings](#) category:

Click to view products by [DEREN](#) manufacturer:

Other Similar products are found below :

[0015917161](#) [0022155065](#) [57102-F02-18ULF](#) [58102-G61-06LF](#) [582553-1](#) [01.001.5753.1](#) [0050291907](#) [02.125.8002.8](#) [609-3404](#) [61062-3](#)
[CSU011177004](#) [622-0430](#) [622-3653LF](#) [63453-116](#) [636-1030](#) [636-1427](#) [636-3427](#) [636-4007](#) [641938-9](#) [65495-038](#) [65692-001LF](#) [65781-018](#)
[65781-047](#) [65817-010LF](#) [65817-015LF](#) [67095-007LF](#) [67601157](#) [68631-112](#) [699319-000](#) [70.362.1628.0](#) [70-4210](#) [70-4226B](#) [70-4853B](#) [707-](#)
[5028](#) [71.350.2428.0](#) [733-134](#) [733-162](#) [760-3052](#) [MHR-64-VUAL](#) [80.063.4001.1](#) [800-90-001-10-001000](#) [801-43-002-10-013000](#)
[801-43-006-10-002000](#) [803-43-024-10-001000](#) [803-93-012-10-001000](#) [8-1437020-4](#) [819-22-004-30-001101](#) [820-22-006-30-001101](#)
[820-22-008-30-001101](#) [821-22-002-10-001101](#)