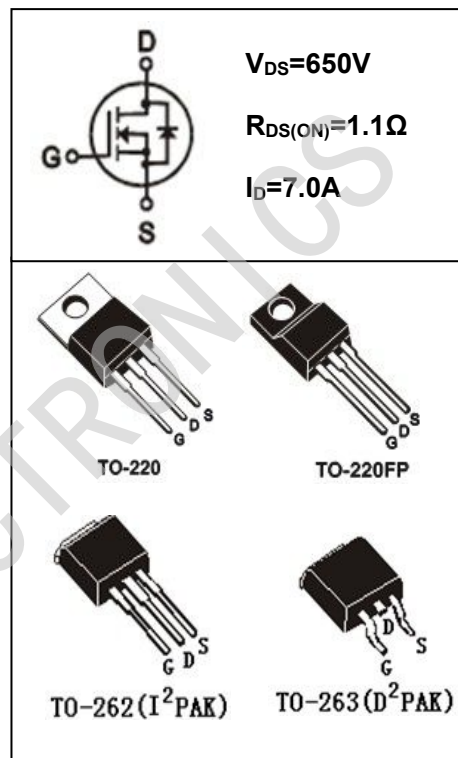


- 特点：导通电阻低、开关速度快、输入阻抗高、符合RoHS规范
- **FEATURES:** ■LOW ON-RESISTANCE ■FAST SWITCHING ■HIGH INPUT RESISTANCE ■RoHS COMPLIANT
- 应用：电子镇流器、电子变压器、开关电源
- **APPLICATION:** ■ELECTRONIC BALLAST ■ELECTRONIC TRANSFORMER ■SWITCH MODE POWER SUPPLY

- 最大额定值 (Tc=25°C)
- **Absolute Maximum Ratings** (Tc=25°C)

| 参数<br>PARAMETER                              | 符号<br>SYMBOL     | 额定值<br>VALUE   | 单位<br>UNIT |
|--|------------------|----------------|------------|
| 漏-源电压<br>Drain-source Voltage                | V <sub>DS</sub>  | 650            | V          |
| 栅-源电压<br>gate-source Voltage                 | V <sub>GS</sub>  | ±30            | V          |
| 漏极电流<br>Continuous Drain Current<br>TC=25°C  | I <sub>D</sub>   | 7.0            | A          |
| 漏极电流<br>Continuous Drain Current<br>TC=100°C | I <sub>D</sub>   | 3.2            | A          |
| 最大脉冲电流<br>Drain Current —Pulsed ①            | I <sub>DM</sub>  | 28             | A          |
| 耗散功率<br>Power Dissipation                    | P <sub>tot</sub> | TO-220:142     | W          |
|  |                  | TO-220FP:40    |            |
|  |                  | TO-262/263:142 |            |
| 最高结温<br>Junction Temperature                 | T <sub>J</sub>   | 150            | °C         |
| 存储温度<br>Storage Temperature                  | T <sub>STG</sub> | -55-150        | °C         |
| 单脉冲雪崩能量<br>Single Pulse Avalanche Energy ②   | E <sub>AS</sub>  | 230            | mJ         |

**TO-220/220FP/262/263**



- 订单信息
- **ORDERING INFORMATION:**

| 包装形式/PACKING                   | 订货编码/ORDERING CODE                       |  |
|--------------------------------|--|--|
|                                | 普通塑封料/ Normal Package Material           | 无卤塑封料/Halogen Free                             |
| TO-220 条管装/TUBE PACKING        | DM7N65C TO-220-TU                        | DM7N65C TO-220-TU-HF                           |
| TO-220FP 条管装/TUBE PACKING      | DM7N65C TO-220FP-TU                      | DM7N65C TO-220FP-TU-HF                         |
| TO-262 或 263 条管装/TUBE PACKING  | DM7N65C TO-262-TU 或<br>DM7N65C TO-263-TU | DM7N65C TO-262-TU-HF 或<br>DM7N65C TO-263-TU-HF |
| TO-263 编带装/TAPE & REEL PACKING | DM7N65C TO-263-TR                        | DM7N65C TO-263-TR-HF                           |

- 电特性 (Tc=25°C)
- **Electronic Characteristics** (Tc=25°C)

| 参数<br>PARAMETER  | 符号<br>SYMBOL                            | 测试条件<br>TEST CONDITION   | 最小值<br>MIN | 典型值<br>TYP | 最大值<br>MAX | 单位<br>UNIT |
|--|---|--|------------|------------|------------|------------|
| 漏-源击穿电压<br>Drain-source Breakdown Voltage                | BV <sub>DSS</sub>                       | V <sub>GS</sub> =0V, I <sub>D</sub> =250μA                           | 650        |            |            | V          |
| 击穿电压温度系数<br>Breakdown Voltage Temperature<br>Coefficient | ΔBV <sub>DSS</sub> /<br>ΔT <sub>J</sub> | I <sub>D</sub> =250uA, Referenced to<br>25°C                         |            | 0.8        |            | V/°C       |
| 栅极开启电压<br>Gate Threshold Voltage                         | V <sub>GS(TH)</sub>                     | V <sub>GS</sub> =V <sub>DS</sub> , I <sub>D</sub> =250μA             | 2.0        |            | 4.0        | V          |
| 漏-源漏电流<br>Drain-source Leakage Current                   | I <sub>DSS</sub>                        | V <sub>DS</sub> =650V,<br>V <sub>GS</sub> =0V, T <sub>J</sub> =25°C  |            |            | 1          | μA         |
|  |   | V <sub>DS</sub> =520V,<br>V <sub>GS</sub> =0V, T <sub>J</sub> =125°C |            |            | 10         | μA         |
| 跨导<br>Forward Transconductance                           | g <sub>fs</sub>                         | V <sub>DS</sub> =40V, I <sub>D</sub> =3.5A<br>③                      |            | 3.0        |            | S          |

| 参数<br>PARAMETER                                     | 符号<br>SYMBOL | 测试条件<br>TEST CONDITION                                      | 最小值<br>MIN | 典型值<br>TYP | 最大值<br>MAX | 单位<br>UNIT |
|---|--------------|---|------------|------------|------------|------------|
| 栅极漏电流<br>Gate-body Leakage Current ( $V_{DS} = 0$ ) | $I_{GSS}$    | $V_{GS} = \pm 30V$  |            |            | $\pm 100$  | nA         |
| 漏-源导通电阻<br>Static Drain-source On Resistance        | $R_{DS(ON)}$ | $V_{GS} = 10V, I_D = 3.5A$<br>③                             |            | 1.1        | 1.5        | $\Omega$   |
| 输入电容<br>Input Capacitance                           | $C_{iss}$    | $V_{GS} = 0V, V_{DS} = 25V$<br>$F = 1.0MHz$                 |            | 1050       |            | pF         |
| 输出电容<br>Output Capacitance                          | $C_{oss}$    |   |            | 84         |            |            |
| 反馈电容<br>Feedback Capacitance                        | $C_{rss}$    |   |            | 12         |            |            |
| 关断延迟<br>Turn -Off Delay Time                        | $T_d(off)$   | $V_{DD} = 325V, I_D = 7.0A$<br>$R_G = 25\Omega$ ③           |            | 50         |            | ns         |
| 栅极电荷<br>Total Gate Charge                           | $Q_g$        | $I_D = 7.0A, V_{DS} = 520V$<br>$V_{GS} = 10V$<br>③          |            | 21         |            | nC         |
| 栅源电荷<br>Gate-to-Source Charge                       | $Q_{gs}$     |   |            | 4.8        |            | nC         |
| 栅漏电荷<br>Gate-to-Drain Charge                        | $Q_{gd}$     |   |            | 6.5        |            | nC         |
| 二极管正向电流<br>Continuous Diode Forward Current         | $I_s$        |   |            |            | 7.0        | A          |
| 二极管正向压降<br>Diode Forward Voltage                    | $V_{SD}$     | $T_j = 25^\circ C, I_s = 7.0A$<br>$V_{GS} = 0V$ ③           |            |            | 1.4        | V          |
| 反向恢复时间<br>Reverse Recovery Time                     | $t_{rr}$     | $T_j = 25^\circ C, I_f = 7.0A$<br>$di/dt = 100A/\mu s$<br>③ |            | 365        |            | ns         |
| 反向恢复电荷<br>Reverse Recovery Charge                   | $Q_{rr}$     |   |            | 3.4        |            | $\mu C$    |

- 热特性
- **Thermal Characteristics:**

| 参数<br>PARAMETER                               | 符号<br>SYMBOL | 最大值<br>MAX |          |            | 单位<br>UNIT   |
|---|--------------|------------|----------|------------|--------------|
|   |              | TO-220     | TO-220FP | TO-262/263 |              |
| 热阻结-壳<br>Thermal Resistance Junction-case     | $R_{thJC}$   | 0.88       | 3.13     | 0.88       | $^\circ C/W$ |
| 热阻结-环境<br>Thermal Resistance Junction-ambient | $R_{thJA}$   | 62.5       | 62.5     | 62.5       | $^\circ C/W$ |

**注释(Notes):**

- ① 脉冲宽度：以最高节温为限制  
Repetitive rating: Pulse width limited by maximum junction temperature
- ② 初始结温= $25^\circ C$ ,  $V_{DD} = 50V$ ,  $L = 10mH$ ,  $R_G = 25\Omega$ ,  $I_{AS} = 7.0A$   
Starting  $T_j = 25^\circ C$ ,  $V_{DD} = 50V$ ,  $L = 10mH$ ,  $R_G = 25\Omega$ ,  $I_{AS} = 7.0A$
- ③ 脉冲测试：脉冲宽度 $\leq 300\mu s$ ，占空比 $\leq 2\%$   
Pulse Test : Pulse width  $\leq 300\mu s$ , Duty cycle  $\leq 2\%$

• 特性曲线

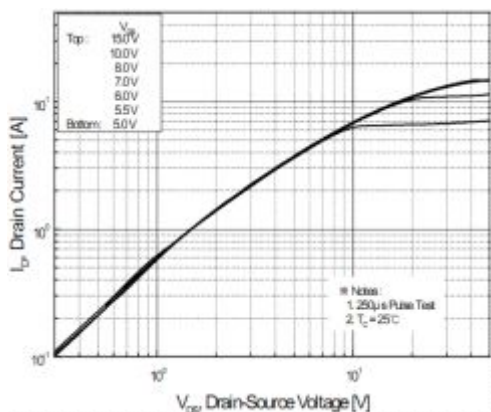


图 1 输出特性曲线, Tc=25°C  
Fig1 Typical Output Characteristics, Tc=25°C

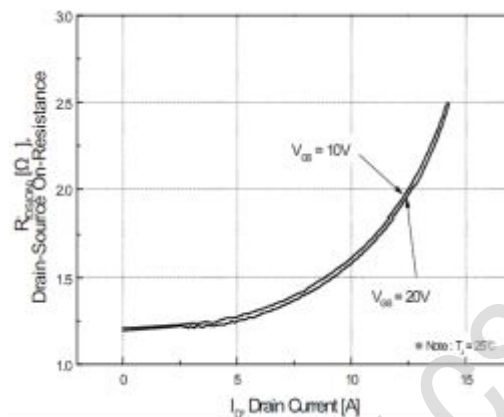


图 2 导通电阻与漏极电流和栅极电压曲线  
Fig2 On-Resistance Vs.Drain Current and Gate Voltage

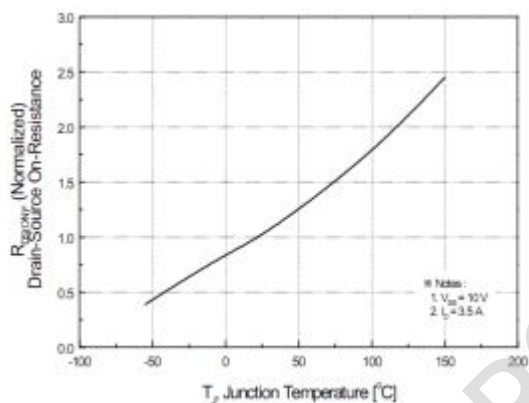


图 3 导通电阻与温度曲线  
Fig3 Normalized On-Resistance Vs.Temperature

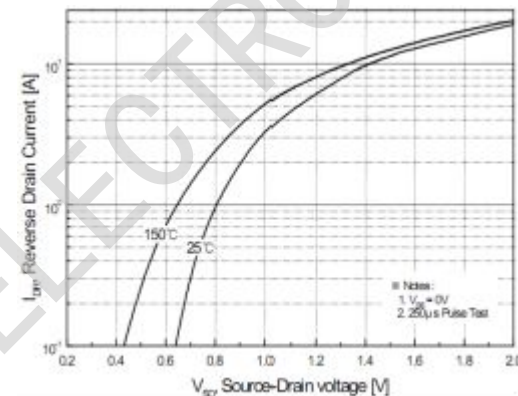


图 4 二极管正向电压曲线  
Fig4 Typical Source-Drain Diode Forward Voltage

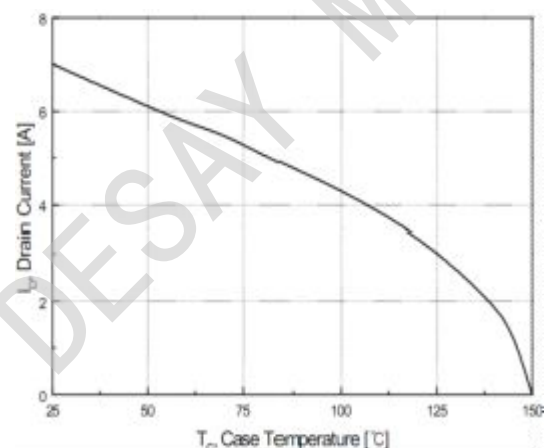


图 5 最大漏极电流与壳温曲线  
Fig5 Maximum Drain Current Vs.Case Temperature

- 印章信息

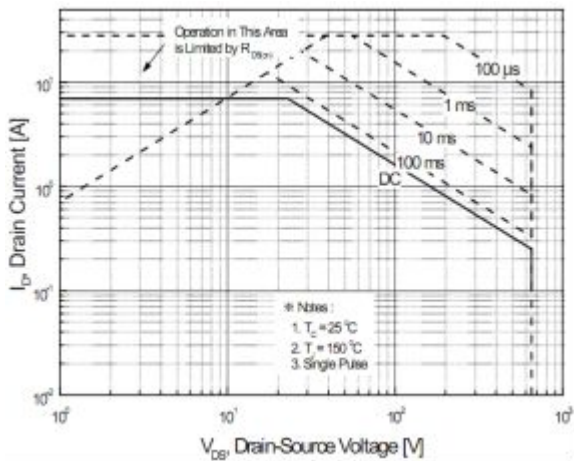
|                             |
|-----------------------------|
| DESAY<br>DM7N65C<br>YYWW XX |
|-----------------------------|

字体说明:

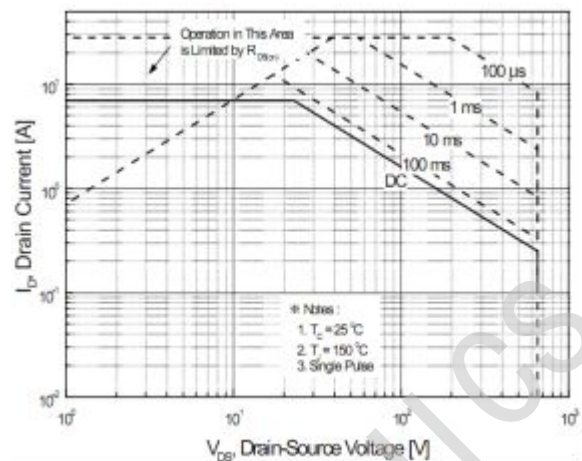
1. DESAY 为固定字码, 代表德赛微电子;
2. DM7N65C 代表产品型号;
3. YYWW 代表生产周期 (YY 代表年份, WW 代表生产周);
4. XX 代表晶圆批次代码。

DESAY MICROELECTRONICS

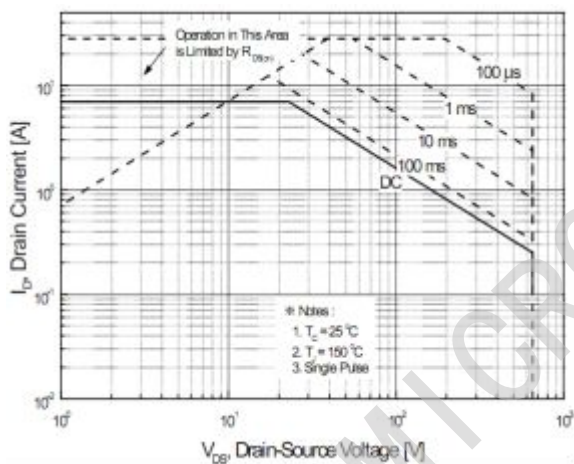
• 特性曲线



**图 6-1 DM7N65C(TO-220)**  
最大安全工作区曲线  
Fig6-1 Maximum Safe Operating Area



**图 6-2 DM7N65C(TO-220FP)**  
最大安全工作区曲线  
Fig6-2 Maximum Safe Operating Area

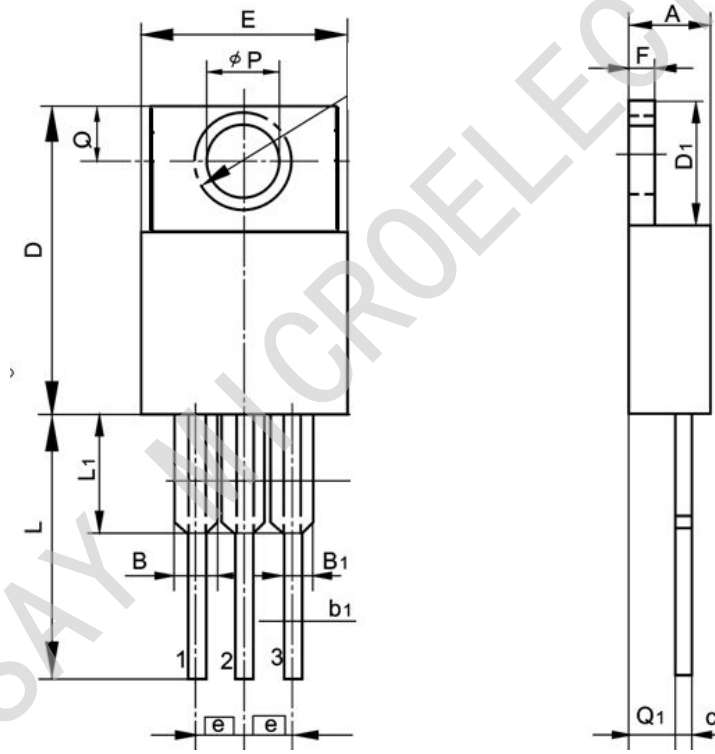


**图 6-3 DM7N65C(TO-262&263)**  
最大安全工作区曲线  
Fig6-3 Maximum Safe Operating Area

**TO-220 封装机械尺寸**  
**TO-220 MECHANICAL DATA**

单位：毫米/UNIT: mm

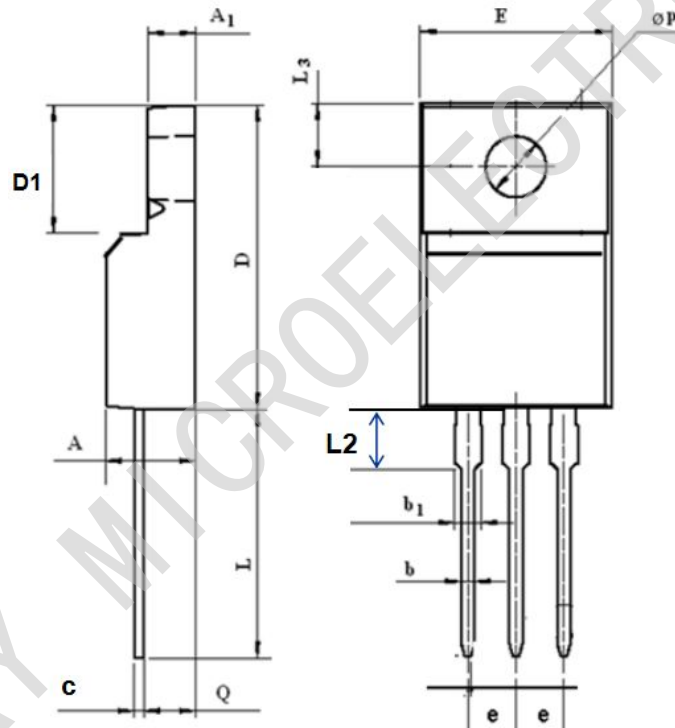
| 符号<br>SYMBOL | 最小值<br>min | 典型值<br>nom | 最大值<br>max | 符号<br>SYMBOL | 最小值<br>min | 典型值<br>nom | 最大值<br>max |
|--------------|------------|------------|------------|--------------|------------|------------|------------|
| A            | 4.00       |            | 4.80       | E            | 9.90       |            | 10.70      |
| B            | 1.20       |            | 1.50       | e            |            | 2.54       |            |
| B1           | 1.00       |            | 1.40       | F            | 1.10       |            | 1.45       |
| b1           | 0.65       |            | 1.00       | L            | 12.50      |            | 14.50      |
| c            | 0.35       |            | 0.75       | L1           | 3.00       | 3.50       | 4.00       |
| D            | 15.00      |            | 16.50      | Q            | 2.50       |            | 3.00       |
| D1           | 5.90       |            | 6.90       | Q1           | 2.00       |            | 3.00       |
|              |            |            |            | φP           | 3.60       |            | 3.90       |



**TO-220FP 封装机械尺寸**  
**TO-220FP MECHANICAL DATA**

单位:毫米/UNIT: mm

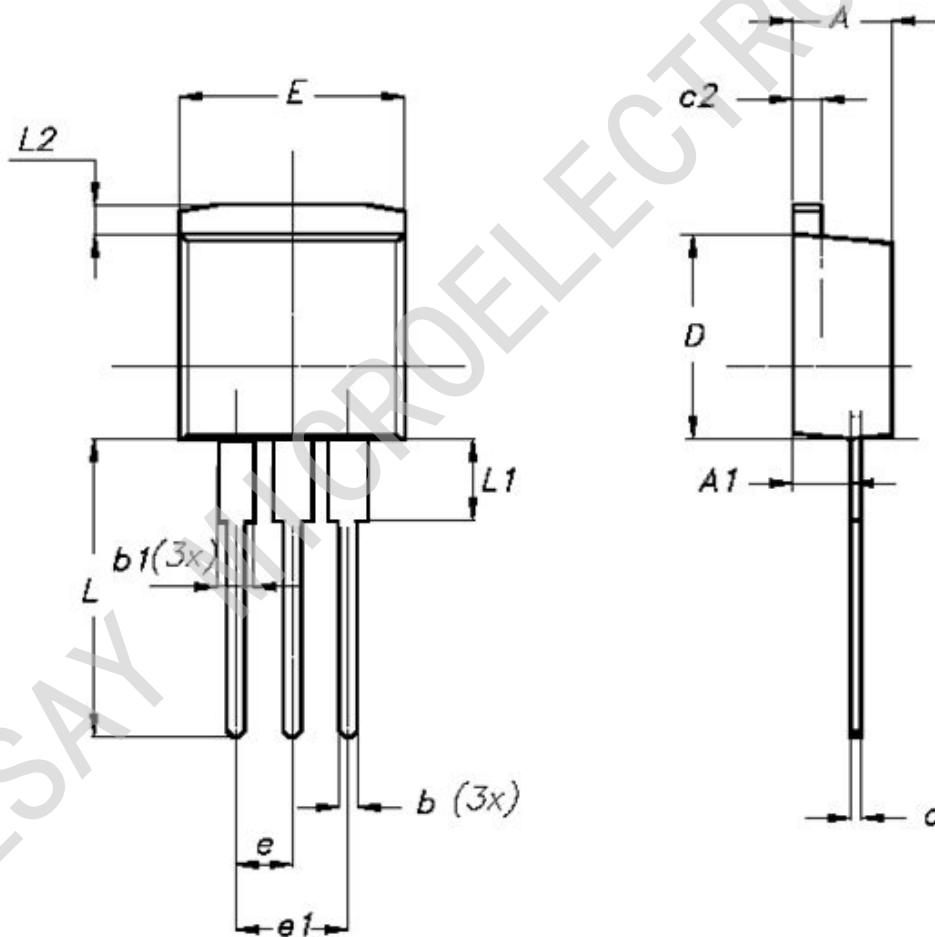
| 符号<br>SYMBOL   | 最小值<br>min  | 典型值<br>nom | 最大值<br>max  | 符号<br>SYMBOL         | 最小值<br>min   | 典型值<br>nom | 最大值<br>max   |
|----------------|-------------|------------|-------------|----------------------|--------------|------------|--------------|
| A              | 4.40        |            | 4.95        | E                    | 9.60         |            | 10.30        |
| A <sub>1</sub> | 2.30        |            | 2.90        | e                    |              | 2.54       |              |
| <b>b</b>       | <b>0.70</b> |            | <b>0.90</b> | <b>L</b>             | <b>12.40</b> |            | <b>14.00</b> |
| b <sub>1</sub> | <b>1.18</b> |            | <b>1.45</b> | <b>L<sub>2</sub></b> | <b>2.30</b>  |            | <b>2.60</b>  |
| <b>c</b>       | <b>0.40</b> |            | <b>0.70</b> | L <sub>3</sub>       | 3.00         |            | 4.00         |
| D              | 14.50       |            | 17.00       | øp                   | 3.00         |            | 3.50         |
| D1             | 6.10        |            | 9.00        | Q                    | 2.30         |            | 2.80         |



**TO-262 封装机械尺寸**  
**TO-262 MECHANICAL DATA**

单位: 毫米/UNIT: mm

| 符号<br>SYMBOL | 最小值<br>min | 典型值<br>nom | 最大值<br>max | 符号<br>SYMBOL | 最小值<br>min | 典型值<br>nom | 最大值<br>max |
|--------------|------------|------------|------------|--------------|------------|------------|------------|
| A            | 3.80       |            | 4.80       | e            |            | 2.54       |            |
| A1           | 2.00       |            | 2.80       | e1           |            |            | 5.30       |
| b            | 0.60       |            | 1.00       | E            | 9.90       |            | 10.70      |
| b1           | 1.20       |            | 1.40       | L            | 12.50      |            | 14.50      |
| c            | 0.40       |            | 0.70       | L1           | 0.80       | 1.00       | 1.20       |
| c2           | 1.10       |            | 1.40       | L2           |            |            | 1.50       |
| D            |            |            | 9.60       |              |            |            |            |



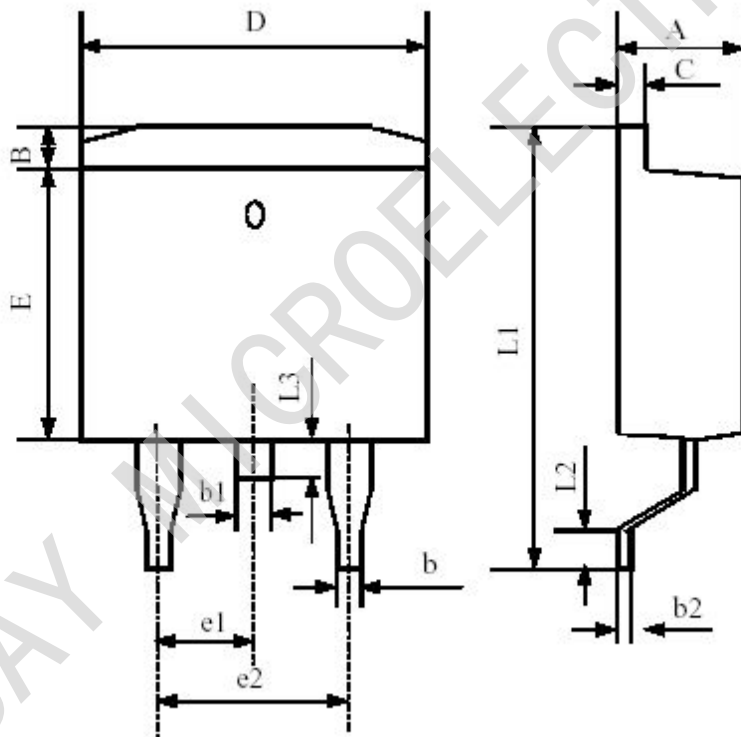


**TO-263 封装机械尺寸**

**TO-263(D2PAK) MECHANICAL DATA**

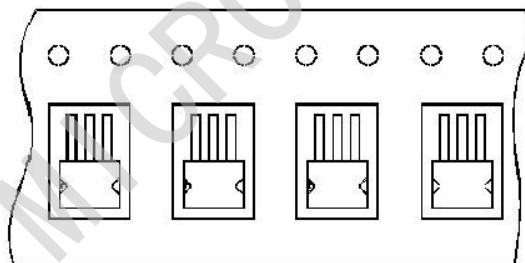
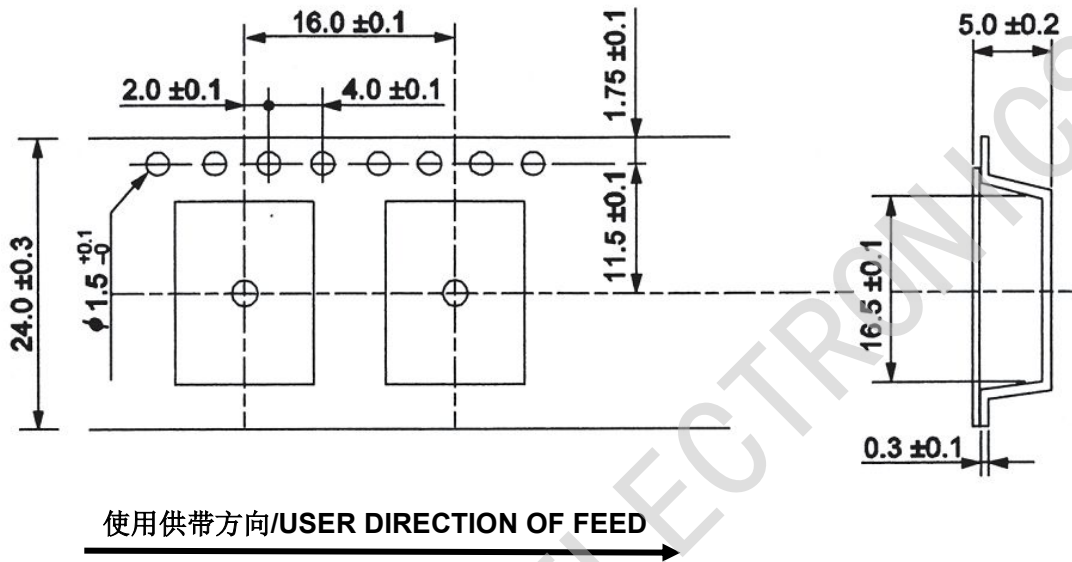
单位: 毫米/UNIT: mm

| 符号<br>SYMBOL | 最小值<br>min | 典型值<br>nom | 最大值<br>max | 符号<br>SYMBOL | 最小值<br>min | 典型值<br>nom | 最大值<br>max |
|--------------|------------|------------|------------|--------------|------------|------------|------------|
| A            | 4.42       |            | 4.72       | E            | 8.99       |            | 9.29       |
| B            | 1.22       |            | 1.32       | e1           | 2.44       |            | 2.64       |
| b            | 0.76       |            | 0.86       | e2           | 4.98       |            | 5.18       |
| b1           | 1.22       |            | 1.32       | L1           | 15.19      |            | 15.79      |
| b2           | 0.33       |            | 0.43       | L2           | 2.29       |            | 2.79       |
| C            | 1.22       |            | 1.32       | L3           | 1.30       |            | 1.75       |
| D            | 9.95       |            | 10.25      |              |            |            |            |



### TO-263 编带规格尺寸 TO-263 TAPE AND REEL DATA

单位:毫米/UNIT: mm



编带器件定位示意图/UNIT ORIENTATION

## X-ON Electronics

Largest Supplier of Electrical and Electronic Components

*Click to view similar products for [MOSFET](#) category:*

*Click to view products by [DESAY](#) manufacturer:*

Other Similar products are found below :

[614233C](#) [648584F](#) [MCH3443-TL-E](#) [MCH6422-TL-E](#) [FDPF9N50NZ](#) [FW216A-TL-2W](#) [FW231A-TL-E](#) [APT5010JVR](#) [NTNS3A92PZT5G](#)  
[IRF100S201](#) [JANTX2N5237](#) [2SK2464-TL-E](#) [2SK3818-DL-E](#) [FCA20N60\\_F109](#) [FDZ595PZ](#) [STD6600NT4G](#) [FSS804-TL-E](#) [2SJ277-DL-E](#)  
[2SK1691-DL-E](#) [2SK2545\(Q,T\)](#) [D2294UK](#) [405094E](#) [423220D](#) [MCH6646-TL-E](#) [TPCC8103,L1Q\(CM](#) [367-8430-0972-503](#) [VN1206L](#)  
[424134F](#) [026935X](#) [051075F](#) [SBVS138LT1G](#) [614234A](#) [715780A](#) [NTNS3166NZT5G](#) [751625C](#) [873612G](#) [IRF7380TRHR](#)  
[IPS70R2K0CEAKMA1](#) [RJK60S3DPP-E0#T2](#) [RJK60S5DPK-M0#T0](#) [APT5010JVFR](#) [APT12031JFLL](#) [APT12040JVR](#) [DMN3404LQ-7](#)  
[NTE6400](#) [JANTX2N6796U](#) [JANTX2N6784U](#) [JANTXV2N5416U4](#) [SQM110N05-06L-GE3](#) [SIHF35N60E-GE3](#)