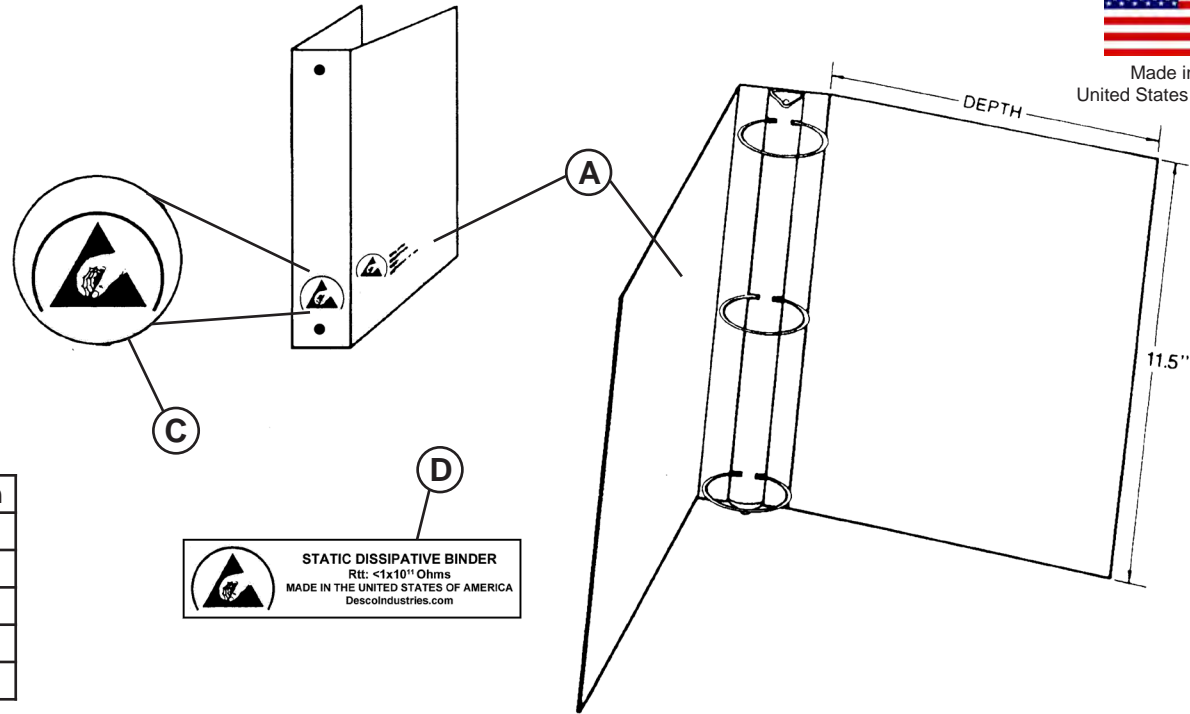
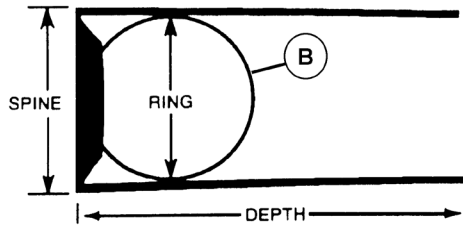
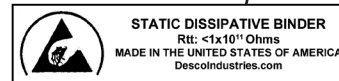




Made in the United States of America



Blue	Yellow	Spine	Ring	Depth
<a href="#">07405</a>	<a href="#">07435</a>	1.2"	0.5"	10"
<a href="#">07410</a>	<a href="#">07436</a>	1.7"	1"	10.3"
<a href="#">07412</a>	<a href="#">07437</a>	2.3"	1.5"	10.6"
<a href="#">07415</a>	<a href="#">07438</a>	2.9"	2"	11.5"
<a href="#">07420</a>	<a href="#">07439</a>	4.2"	3"	12"



Spine size is the shelf space requirement of the binder.

Depth is the shelf depth requirement of the binder.

- A. MATERIAL 0.016" (16 mil)\* static dissipative vinyl over chipboard stiffener. Heat sealed on all edges. Surface Resistance =  $1 \times 10^8$  to  $1 \times 10^{11}$  ohms per ANSI/ESD STM11.11. Static Decay =  $<0.30$  seconds
- B. Ring constructed of nickel plated steel. Ring size is the inside diameter of the ring and indicates the capacity of the binder to hold material.
- C. On the lower spine is hot stamped the ESD protective symbol.
- D. On the lower left front is hot stamped the ESD protective symbol and "STATIC DISSIPATIVE BINDER Rtt:  $<1 \times 10^{11}$  Ohms MADE IN THE UNITED STATES OF AMERICA DescoIndustries.com"

"It should be understood that any object, item, material or person could be a source of static electricity in the work environment. Removal of unnecessary nonconductors, replacing nonconductive materials with dissipative or conductive materials and grounding all conductors are the principle methods of controlling static electricity in the workplace, regardless of the activity." [ESD Handbook ESD TR20.20 section 2.4 Sources of Static Electricity]

Specifications and procedures subject to change without notice.

\*Tolerance Thickness:  $\pm 10\%$

All other Dimensions are  $\pm 1/16"$

### 3 Ring Dissipative Binders without Pockets



DESCO WEST: 3651 WALNUT AVE., CHINO, CA 91710 WEB SITE: [Desco.com](http://Desco.com)  
PHONE (909) 627-8178

DESCO EAST: ONE COLGATE WAY, CANTON, MA 02021-1407  
PHONE (781) 821-8370

**DRAWING NUMBER**  
07405

**DATE:**  
September  
2013

## X-ON Electronics

Largest Supplier of Electrical and Electronic Components

*Click to view similar products for [Antistatic Control Products](#) category:*

*Click to view products by [Desco](#) manufacturer:*

Other Similar products are found below :

[13020](#) [13490](#) [13870](#) [13879](#) [13881](#) [13883](#) [13882](#) [14404](#) [2202SP](#) [3039](#) [37061](#) [42470](#) [09060](#) [09857](#) [42516](#) [37059](#) [04563](#) [17252](#) [19691](#)  
[19695](#) [09037](#) [09826](#) [09813](#) [66070](#) [100816](#) [68101](#) [68103](#) [98132](#) [73741](#) [13868](#) [13485](#) [13457](#) [13245](#) [13468](#) [13420](#) [13332](#) [13205](#) [13135](#)  
[91070](#) [8031](#) [8523](#) [66085](#) [40931](#) [37081](#) [13080](#) [13215](#) [13806](#) [73749](#) [010-0225](#) [17260](#)