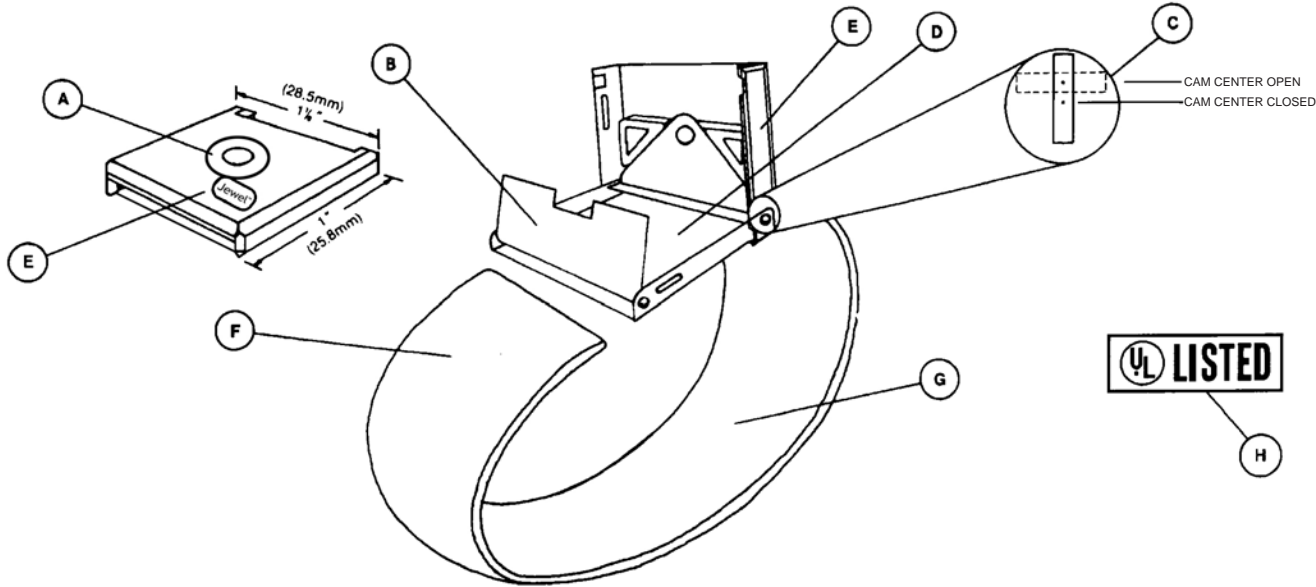




Made in the
United States of America



- A. Magnetic connection creates a superior connection with wrist band. Maintains 1-5 pound release.
- B. Small cam lock, allows material replacement. 300 series stainless steel.
- C. Large cam lock, allows size adjustment, maintains electrical continuity even when open. 300 series stainless steel. Floating cam lock allows wide opening for easy adjustment and secures material down against base plate when closed.
- D. 300 series stainless steel backplate (0.016" thick). Manufacturing date code is stamped into stainless steel backplate.

- E. Black (onyx) translucent cap.
- F. Knit elastic band material of gray; .875" (22mm) wide and 0.10" (2.5mm) thick. 50 strands of textured polyester, 36 strands of lycra spandex and 14 strands of silver plated polypropylene yarn. Made with pure silver irreversibly bound to fibers providing both antimicrobial and anti-odor properties. Outer surface of gray fibers act as an insulator.
- G. The conductive silver plated polypropylene (see G) represents 13.5% of the material by weight. The 14 strands of conductive polypropylene are randomly knit on the inner surface of the material and are electrically isolated from the outer surface (gray side).
- H. Underwriters Laboratory listing 90P1.

ITEM	DESCRIPTION	CIRCUMFERENCE		WIDTH
		MIN	MAX	
09183	Band only	2.5" (63.5mm)	13" (330mm)	.875" (22mm)
09184	Band w/ 6' Cord	2.5" (63.5mm)	13" (330mm)	.875" (22mm)
09185	Band w/ 12' Cord	2.5" (63.5mm)	13" (330mm)	.875" (22mm)
09202	Band w/ 6' Angle Cord	2.5" (63.5mm)	13" (330mm)	.875" (22mm)
09203	Band w/ 12' Angle Cord	2.5" (63.5mm)	13" (330mm)	.875" (22mm)

Unless otherwise noted, tolerance $\pm 10\%$

Specifications and procedures subject to change without notice.

JEWEL® MAGSNAP ELASTIC WRIST STRAPS

DESCO

DESCO WEST: 3651 WALNUT AVE., CHINO, CA 91710 WEB SITE: Desco.com
PHONE (909) 627-8178
DESCO EAST: ONE COLGATE WAY, CANTON, MA 02021-1407
PHONE (781) 821-8370

DRAWING NUMBER
09183

DATE:
August
2013

X-ON Electronics

Largest Supplier of Electrical and Electronic Components

Click to view similar products for [Antistatic Control Products](#) category:

Click to view products by [Desco](#) manufacturer:

Other Similar products are found below :

[13020](#) [13490](#) [13870](#) [13879](#) [13881](#) [13883](#) [13882](#) [14404](#) [2202SP](#) [3039](#) [37061](#) [42470](#) [09060](#) [09857](#) [42516](#) [37059](#) [04563](#) [17252](#) [19691](#)
[19695](#) [09037](#) [09826](#) [09813](#) [66070](#) [100816](#) [68101](#) [68103](#) [98132](#) [73741](#) [13868](#) [13485](#) [13457](#) [13245](#) [13468](#) [13420](#) [13332](#) [13205](#) [13135](#)
[91070](#) [8031](#) [8523](#) [66085](#) [40931](#) [37081](#) [13080](#) [13215](#) [13806](#) [73749](#) [010-0225](#) [17260](#)