



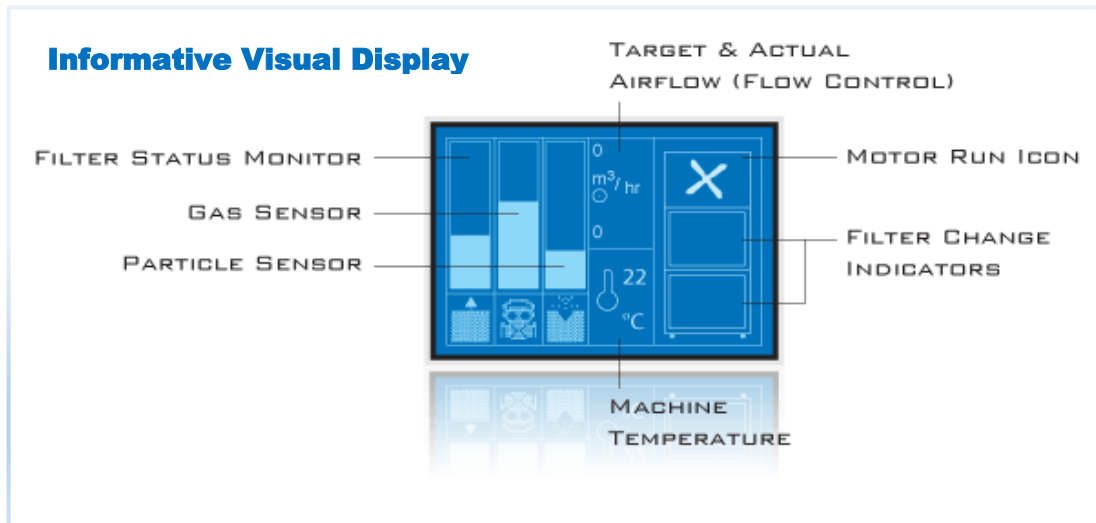
Model 1500i/2000i


Recirculating fume extraction is now extremely important with the rising concern for our environment and employee safety. Purex Fume Extractors provide not only a flexible and portable process for plant redesigns and expansions, but also a more stable process by providing a controlled airflow to remove harmful fumes. All this while eliminating the added costs of building modifications, increased air handling systems and lost energy.

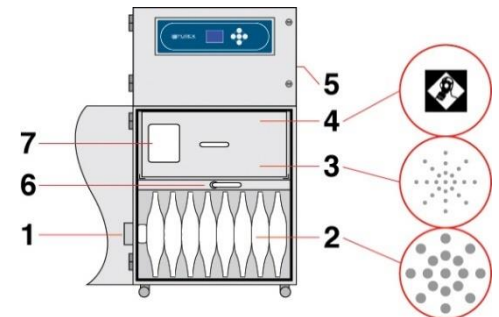
Purex Digital Systems


- ❖ Automatic Flow Control maintains constant extraction rate
- ❖ Adjustable Air Flow extends filter life
- ❖ Blocked Filter Warning
- ❖ Easy to change filters
- ❖ Low energy consumption
- ❖ Quiet operation
- ❖ Welded stainless steel construction
- ❖ Reverse Air Flow prevents condensation and extends filter life
- ❖ Continuous run brushless motors
- ❖ HEPA filtration removes 99.997% of particles down to .3 microns
- ❖ Gas and particle sensors on exhaust
- ❖ Filter Blocked Monitor
- ❖ Gas Safety Sensor
- ❖ Particle Safety Sensor
- ❖ Motor Run Indicator
- ❖ Airflow reading
- ❖ Filtered air temperature
- ❖ Quick-read visual display
- ❖ Remote Machine Interface

1500i and 2000i Volume Control



Main Filter Options		
	HEPA/Chemical	110615EB
	HEPA/Twin Chemical	110614EB
	HEPA Chemical Cleanroom*	110632EB
	Chemical	110610EB
*Use F8/F9 Pre-filter		



Labyrinth Pre-Filter Options		
	F6 (std) 60-80% eff 1-3µ	111037EB
	F8/F9 Composite >95% eff .5-1 µ	111099EB

	1500i		2000i	
	0LX1511DEB	0LX1510DEB	0LX2011DEB	0LX2010DEB
Model	0LX1511DEB	0LX1510DEB	0LX2011DEB	0LX2010DEB
Voltage (50hz/60Hz)	120v (1ph)	230v (1ph)	220v (3ph)	400v (3ph)
Wattage	3.4 kW		3.0 kW	
Airflow	1000 cfm (1700 m ³ /Hr)		1294 cfm (2200 m ³ /Hr)	
Vacuum	19 inwg (4.77 kPa)		25 inwg (6.28 kPa)	
Air Inlet	5.9in (150mm) Safe Seal			
Sound Rating	59 dBA			
Dimensions (L/W/H)	28.5in x 29in x 55.25in			
Weight	331 lbs			

X-ON Electronics

Largest Supplier of Electrical and Electronic Components

Click to view similar products for [Fume Extractors](#) category:

Click to view products by [Desco](#) manufacturer:

Other Similar products are found below :

[FP-BVX](#) [AC-TX001-4](#) [AC-TX002-2](#) [35457](#) [35450](#) [ZEROSMOGELKIT1](#) [17701](#) [CS-ANAVI-33](#) [CS-ANAVI-34](#) [CS-ANAVI-35](#) [17015](#) [SA-91-E](#) [SAK-90](#) [910-6RHB](#) [AC-FX1](#) [BVX-ARM](#) [BVX-ARM-K1](#) [BVX-ARML](#) [BVX-CH01](#) [ECMFE](#) [WFE2ESKIT1](#) [35465](#) [FIL22H070](#)
[EA1122](#) [CH0251](#) [CH0253](#) [WSA350](#) [BVX-101](#) [BVX-201](#) [BVX-201-KIT](#) [SAF-1](#) [EC234FE](#) [T0058762774](#)