

Chargebuster Ion Gun Installation, Operation and Maintenance



Figure 1. Desco Chargebuster Ion Gun

Description

The Desco Chargebuster Ion Gun is a point-of-use ionizer used for neutralizing electrostatic charges to eliminate attraction, visual imperfections and contamination issues by dislodging charged dust and debris. It uses compressed clean dry air (CDA) or a compressed gas supply. Less than 1 second discharge times with ± 30 volt offset voltage balance meet the required limits of ANSI/ESD S20.20 and ESD TR53. A 7-foot ESD hose with trigger switch allows operators freedom of motion and minimizes awkward or unsupported positions. The quick change filter in the console collects small residual particles.

“There is sometimes a need to provide static control in a small defined area or location. This may be done to provide static control within production equipment, in mini-environments, or to facilitate particle removal from part of a product. Ionizers used for this purpose may be blow-off guns or nozzles that work with a supply of compressed air or nitrogen. They may use either nuclear, soft x-ray or any of the previously described types of corona ionization technology. It will be important to choose a method of ionization and cleanliness of the gas supply that is appropriate to the work area.” (ESD handbook ESD TR20.20 section 5.3.6.5.2.4 Point-Of-Use Ionization)

“Necessary non-conductors in the environment cannot lose their electrostatic charge by attachment to ground. Ionization systems provide neutralization of charges on these necessary non-conductive items (circuit board materials and some device packages are examples of necessary non-conductors). Assessment of the ESD hazard created by electrostatic charges on the necessary nonconductors in the work place is required to ensure that appropriate actions are implemented, commensurate with risk to ESDS [ESD sensitive] items”. (ANSI/ESDS20.20 Foreword)

The Chargebuster Ion Gun and its accessories are available as the following item numbers:

| Item | Description |
|-----------------------|---|
| 19590 | Chargebuster Ion Gun, with North America Power Adapter |
| 19599 | Chargebuster Ion Gun, without Power Adapter |
| 19591 | Replacement Air Filter, Pack of 3 |
| 19592 | Foot Switch |
| 19600 | Replacement Emitter Tip |
| 19593 | Power Adapter, 120VAC Input, 24VAC Output, North America Plug |
| 50711 | Power Adapter, 230VAC Input, 24VAC Output, UK Plug |
| 50712 | Power Adapter, 230VAC Input, 24VAC Output, Europe Plug |

Packaging

- 1 Chargebuster Ion Gun with Hose
- 1 Console
- 1 Console Mounting Plate
- 1 Air Filter
- 1 Power Adapter, 120VAC Input, 24VAC Output, North America Plug (19590 only)
- 1 Female Quick Connect Coupling
- 1 S-Hook
- 4 Mounting Screws

Installation

COMPRESSED GAS REQUIREMENTS

NOTE: Failure to use clean dry air or nitrogen may result in damage to the Chargebuster Ion Gun that is not covered under the Limited Warranty.

The compressed gas supply must be clean dry air or nitrogen supplied by a delivery system that utilizes a refrigerated dryer or equivalent water removal to achieve a limit of about 550 ppm water vapor at 35°F (1.66°C) Dew Point. To prevent particles from entering the console, a 2 micron coalescing filter or better is recommended upstream of the gun console. Note that the filter in the console collects small residual particles and aerosols and does not act as a primary filter. The console filter is rated at 0.01 micron for particulates and is effective down to 0.008 micron for aerosols.

An adequate filter that can be recommended for the inlet of the Chargebuster Ion Gun would be a Finite Filter Grade 10 Media Specification. This provides a 95% coalescing efficiency for aerosols with a 0.7 micron (and greater) particle retention. This removes gross amounts of particles, water and/or oil and aerosols.

A Grade 6 Media provides 99.98% efficiency when almost total removal of liquid aerosols and particles are required in all pressure ranges down to 0.01 microns. Fine filters need to be changed more often.

MOUNTING THE CONSOLE

Choose a location convenient to the work area and gas supply. The console takes up very little space and is adaptable to a variety of permanent or non-permanent installations. To minimize bends in the Chargebuster Ion Gun's hose, orient the console so that the open end that accepts the filtered air hose to the hand unit points toward the work area, and the male connector points toward the gas supply.

Prior to mounting, plug the RJ-11 cable from the power supply into the jack located on the back of the console.

Use the included screws to attach the mounting plate to the threaded holes on the back of the console. Use suitable screws and fasteners to attach the mounting plate to a flat surface such as a wall or the back of a workbench. When mounting to a hollow wall, be sure to use adequate screws and wall anchors to ensure stability of the installation.

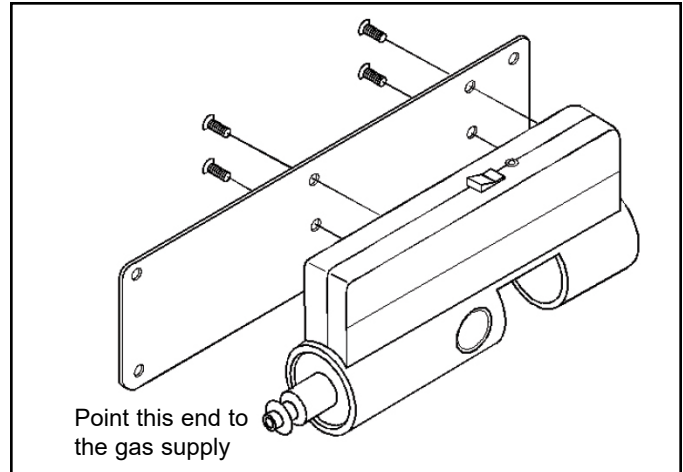


Figure 2. Securing the console to the mounting plate

MOUNTING TO A GAS SUPPLY

When a gas supply is close to the work area and fitted with a U.S. standard industrial interchange quick coupling, you may attach it to the console directly using the included female quick connect coupling. If a U.S. standard industrial interchange quick coupling is not available on the gas supply, be sure to use a suitable interconnect between the gas supply and the console. Use a prefilter as defined in the COMPRESSED GAS REQUIREMENTS section if necessary.

ASSEMBLY

NOTE: Protect the hose from sharp objects, abrasion and high temperatures. Do not pull or pinch the hose while assembling the components.

1. Insert the large end of the filter into the fitting at the end of the flexible hose. Push the filter gently until the metal release tab clicks and locks the filter into place.

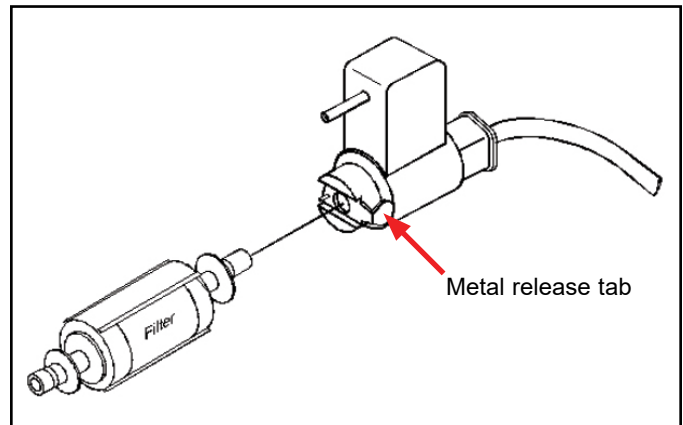


Figure 3. Connecting the air filter to the hose assembly

2. Insert the hose and filter assembly into the console until the console's release button latches on with a click. The small plastic fitting on the end of the filter must align with the metal guide coupling inside the console. You may have to wiggle the filter slightly while inserting it.

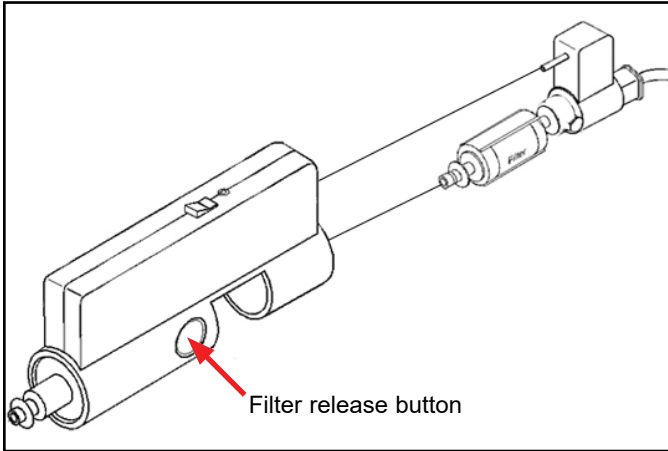


Figure 4. Inserting the hose and filter assembly into the console

3. Connect the male air inlet fitting on the console to the gas supply. The console's fitting is designed for a U.S. standard industrial interchange quick coupling. The console may be connected directly to a gas supply with the included female quick connect coupling or hose (not supplied). Use a prefilter as defined in the COMPRESSED GAS REQUIREMENTS section if necessary.
4. Connect the optional 19592 Foot Switch to the top of the console if necessary.

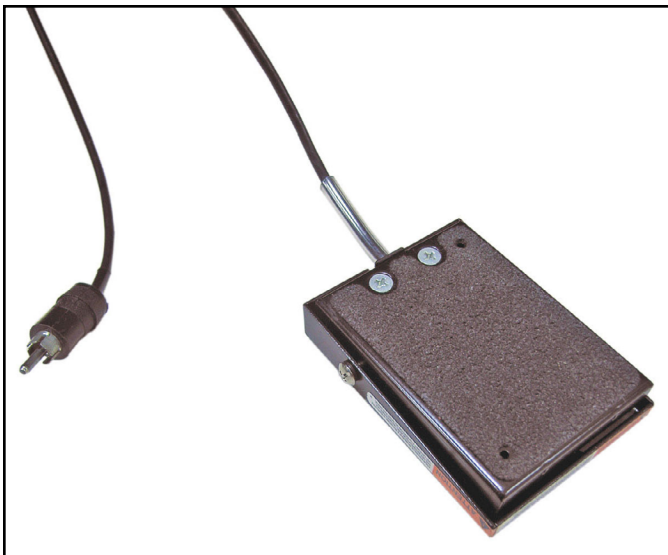


Figure 5. Desco 19592 Foot Switch

5. Use the included S-hook to hang the gun at the workstation if desired.
6. Ensure that the power switch on top of the console is in the OFF position. Connect the power adapter to an appropriate power outlet.

NOTE: Use only Desco 19593, 50711 or 50712 power adapters. Use of other power adapters may result in damage to the unit and void the warranty.

For optimal safety and ionization, set the pressure regulator on the compressed gas supply to 25-65 psi (1.4-4.5 bar). Neutralization (discharge) times vary on gas pressure settings.

NOTE: Pressures of 30-40 psi (2.0-2.8 bar) are commonly used for decontaminating surfaces. Please refer to the pertinent regulations concerning maximum air pressure on hand-held air blow devices in order to determine a safe operating pressure.

The Chargebuster Ion Gun is rated at 65 psi (4.5 bar) inlet pressure at temperatures up to 75° F (24° C), and the rating decreases at higher temperatures. When using high pressures, consider the ambient room temperature as well as heat from surrounding equipment.

Operation

1. Ensure that the gun's trigger is not depressed. Set the console's power switch to the ON position. The green power LED located next to the power switch should illuminate.
2. Aim the gun approximately 6 inches (15 cm) from the surface to be neutralized and cleaned.
3. Hold down the trigger to blow ionized air. The green LED on the back of the gun will illuminate to indicate ionization. Typically, static charges will be neutralized within one second.
4. Release the trigger when the surface is clean.

Desco recommends turning off the console whenever the Chargebuster Ion Gun is not in use. This will prevent unintentional operation.



Figure 6. Using the Chargebuster Ion Gun

Maintenance

The Chargebuster Ion Gun requires very little maintenance. Occasional cleaning of the case and emitter points, and periodic replacement of the air filter are all that is required. Always be sure to protect all components from liquids and corrosive chemicals.

CAUTION: Always disconnect the Chargebuster Ion Gun from its power and gas supplies before performing any maintenance.

CLEANING THE COMPONENTS

1. Turn off the console and disconnect it from its electrical power and gas supplies.
2. Moisten a cloth with isopropyl alcohol, and use it to wipe the exterior surfaces of the console and gun. Remove any dirt or dust that may have collected.
3. Moisten a swab with isopropyl alcohol, and use it to gently clean the emitter points in the gun. Extremely dirty points increase the time needed to neutralize static charge and affect ionization balance.

REPLACING THE AIR FILTER

Desco recommends changing the filter every three months or whenever it looks dirty. Replacement filters are available as Desco item 19591.

1. Turn off the console and disconnect it from its electrical power and gas supplies.
2. Hold down the filter release button on the side of the console.
3. Disconnect the hose and filter assembly from the console by pulling the textured plastic ring nearby the hose's spring. Rocking the ring back and forth may help loosen the filter from the console. DO NOT pull the hose itself.

4. Pull and disconnect the filter from the hose fitting by depressing the metal release tab. Discard the dirty filter.
5. Install a new filter by following the ASSEMBLY instructions on pages 2-3.

REPLACING THE EMITTER POINTS

The emitter points are built into the gun's plastic nozzle and usually last the life of the unit. The points should only be replaced if they are broken, bent or otherwise damaged. Replacement emitter assemblies are available as Desco item 19600.

1. Turn off the console and disconnect it from its electrical power and gas supplies.
2. Insert the tip of a screwdriver into the slot located at the bottom of the gun's nozzle.

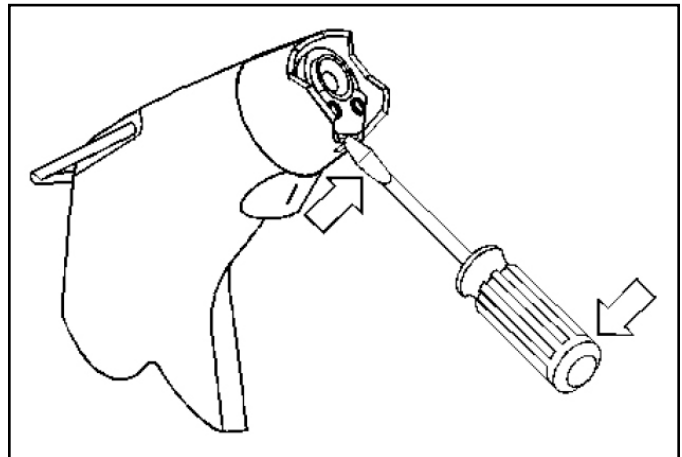


Figure 6. Inserting a screwdriver into the slot located at the bottom of the gun's nozzle

3. Use the screwdriver as a lever and loosen the old clip. Grasp it between your thumb and forefinger, and detach it from the gun. The emitter points are very sharp. Touch only the plastic lip, and handle it carefully. Do not touch the emitter points with hard objects as they may damage them.
4. To insert the new emitter points, hold the gun with the barrel pointing up. Grasp the new clip between your thumb and forefinger, and align it so the curved edges match the curve inside gun's nozzle.
5. Align the blunt prongs of the emitters with the holes inside the gun's barrel, and set the clip into place.
6. Press the clip all the way in using the tip of a screwdriver. It should fit snugly between the raised rim of the barrel and the raised rim of the air nozzle. If the clip overlaps the air nozzle, it is installed backward.

Calibration

Frequency of recalibration should be based on the critical nature of those ESD sensitive items handled and the risk of failure for the ESD protective equipment and materials. In general, Desco recommends that calibration be performed annually.

Periodically measure the offset voltage balance and neutralization times of the Chargebuster Ion Gun to verify that it is performing within specifications. These measurements should be taken using a charged plate monitor such as EMIT item 50571.

Calibration should be performed in accordance with the ESD Association ionization standard ANSI/ESD STM3.1 or Compliance Verification ESD TR53. At a line pressure of 30 psi (2 bars) and a distance of 6 inches (15 cm), the neutralization (discharge) time of $\pm 1000V$ to $\pm 100V$ should be less than 1 second, and the offset voltage balance should be $\pm 30V$ or better.

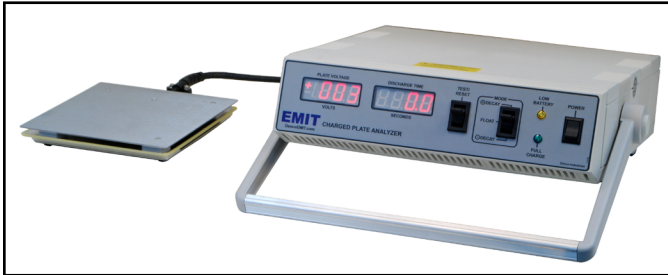


Figure 7. EMIT 50571 Charged Plate Analyzer

Specifications

| | |
|---|--|
| Input Voltage and Frequency (120VAC External Adapter) | AC Power Adapter Power Input: 120VAC, 60 Hz Power Output: 24VAC, 500mA |
| Input Voltage and Frequency (230VAC External Adapter) | AC Power Adapter Power Input: 230VAC, 50 Hz Power Output: 24VAC, 500mA |
| Neutralization (Discharge) Time at 6", 35 psi | 1 second or less |
| Balance (Offset Voltage) at 6", 35 psi | $\pm 30V$ |
| Power Consumption | 10 W |
| Ion Emission | Steady-State DC |
| Emitter Points | Tungsten |
| Audible Noise at 1 m, 30 psi | 70 dBA |
| Ozone | < 0.005 ppm |

| | |
|----------------------------|---|
| Blow-off Force | 41 g @ 30 psi; measured at 3" from a 2" diameter target |
| Air Hose | Static-dissipative polyurethane, 3/8" outside diameter; 7' length |
| Gas Input | 20-65 psi, Clean Dry Air (CDA) or nitrogen |
| Gas Connection | 1/4" male industrial interchange quick disconnect |
| Gas Air Filter | 99.9% efficient, 0.01 micron or larger air particles; 99.9% coalescing efficiency |
| Mounting | Metal mounting plate attaches to back of console |
| Enclosure | Static-dissipative polycarbonate |
| Dimensions (Gun) | 8" x 3" x 1" (20.3 cm x 7.6 cm x 2.5 cm) |
| Dimensions (Console) | 8.5" x 3.0" x 1.6" (21.6 cm x 7.6 cm x 4.1 cm) |
| Weight (Gun with Air Hose) | 0.8 lbs (0.4 kg) |
| Weight (Console) | 0.7 lbs (0.3 kg) |
| Certifications | CE, RoHS2 |
| Cleanroom Class | Meets ISO 14644 Class 4 (Fed Std. 209E Class 10) |
| Country of Origin | China |

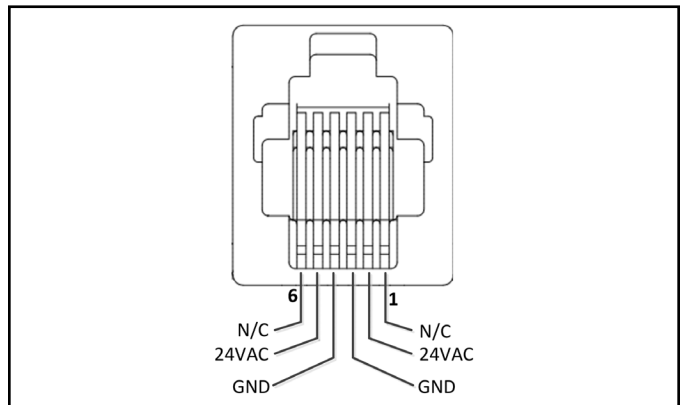


Figure 8. Pin-out of the console's power socket

Limited Warranty, Warranty Exclusions, Limit of Liability and RMA Request Instructions

See the Desco Warranty - [Desco.com/Limited-Warranty.aspx](https://www.desco.com/Limited-Warranty.aspx)

X-ON Electronics

Largest Supplier of Electrical and Electronic Components

Click to view similar products for [Antistatic Control Products](#) category:

Click to view products by [Desco](#) manufacturer:

Other Similar products are found below :

[14404](#) [2202SP](#) [37061](#) [42470](#) [09813](#) [09857](#) [09037](#) [09086](#) [09813](#) [68101](#) [68103](#) [98132](#) [73741](#) [13457](#) [13245](#) [13420](#) [13205](#) [91070](#) [66085](#)
[13080](#) [010-0115](#) [13390](#) [09121](#) [07501](#) [09204](#) [66086](#) [66121](#) [16316](#) [13331](#) [ZJ-SD100](#) [1900-8X12](#) [1910-10X12](#) [82A3](#) [1900-6X8](#) [1900-7-15](#)
[19866](#) [20-082-1012](#) [STS1327](#) [STW404111](#) [20-871-1418](#) [20-871-1624](#) [20-871-1818](#) [20-871-1824](#) [20-872-1418](#) [53707](#) [ELSEC 5/10](#) [52889](#)
[52867](#) [52865](#) [52849](#)