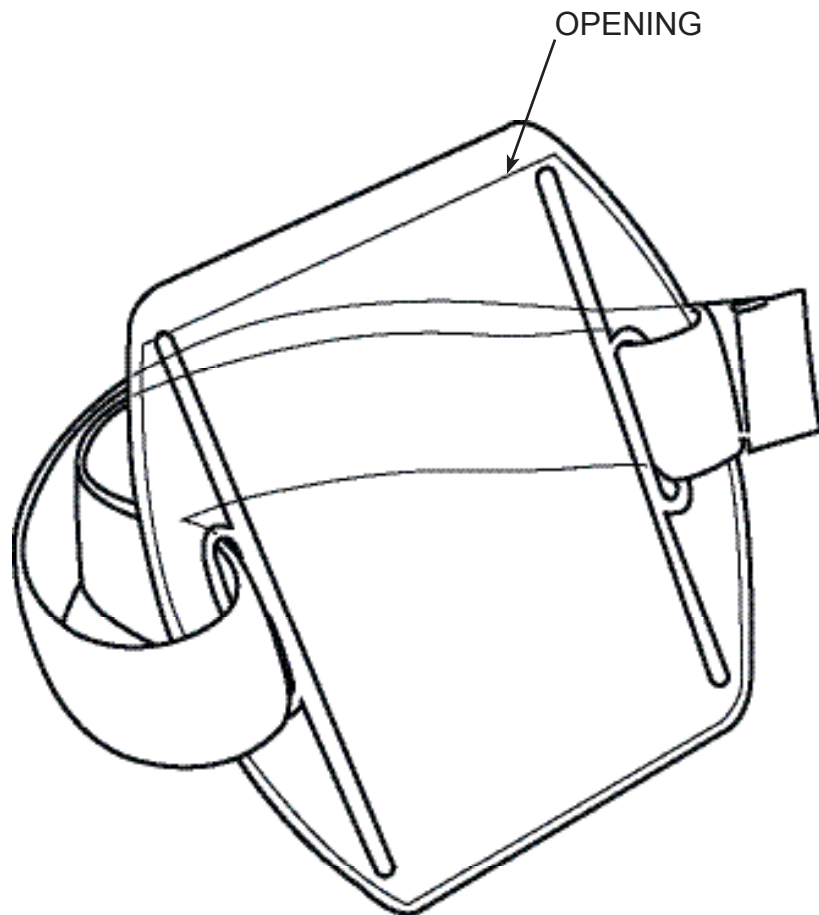




Made in the United States of America



### Features:

- Arm Band Badge Holder
  - Material Thickness (35061 & 35062):  
0.030" (2H) front & 0.020" (3S) back
  - Material Thickness (35190, 35191, & 35192):  
0.012" (1S) front & 0.054" (2H) back
  - Material Tolerance (thickness):  
±10%
- Adjustable to fit all size arms
- Conveniently adjusted with one hand with no need to remove badge holder from arm
- Use when it is preferable for badge to be secured around arm and not interfering with work, rather than to hang from neck or to attach to front of clothing
- 4" x 4 5/16" (Outer Dimension), 2 3/8" x 3 3/8" (Insert Size)
- Elastic band flexes with arm movement for secure fit
- Made in the United States of America

Item	Description
35061	Clear Arm Band Badge Holder, White Elastic Band
35062	Clear Arm Band Badge Holder, Black Elastic Band
35190	Orange Arm Band Badge Holder, Black Elastic Band
35191	Pink Arm Band Badge Holder, Black Elastic Band
35192	Green Arm Band Badge Holder, Black Elastic Band

Specifications and procedures subject to change without notice.

± 1/16" tolerances on dimensions unless specified

### ARM BAND BADGE HOLDER, 2 3/8" x 3 3/8" INSERT SIZE



3651 WALNUT AVENUE, CHINO, CA 91710  
PHONE: (909) 627-2453  
WEBSITE: [Menda-ID.com](http://Menda-ID.com)

DRAWING NUMBER  
35061

DATE  
December 2012

## X-ON Electronics

Largest Supplier of Electrical and Electronic Components

*Click to view similar products for PPE Safety Equipment / Lockout Tagout category:*

*Click to view products by Desco manufacturer:*

Other Similar products are found below :

[AB12-SF1260](#) [GPSL-6KA](#) [GPSL-8MKEY](#) [50585](#) [70220-1302](#) [740053624](#) [702201756](#) [PSL-PC38-33](#) [132231](#) [44-809](#) [STC1165](#) [509-0015](#)  
[509-0017](#) [509-0019](#) [509-0020](#) [509-0021](#) [509-0022](#) [509-0002](#) [509-0003](#) [509-0004](#) [509-0006](#) [509-0007](#) [109-0028](#) [109-0920](#) [109-0917](#) [109-](#)  
[0918](#) [109-0919](#) [DYC200-01-01-9-DYCLEAN-S](#) [109-0027](#) [X2A](#) [26702](#) [28774](#) [SFTY PADLOCK NYLON 38MM SHA YELLOW 6/PAC](#)  
[SFTY PADLOCK NYLON 38MM SHA GREEN 6/PAC](#) [603](#) [30-551-3040](#) [30-560-0039](#) [CPG1222](#) [AV13012](#) [AV13021](#) [AV13074](#) [AV13100](#)  
[WF4872000](#) [70841](#) [CGL-GU](#) [35090](#) [35034](#) [PSL-USBB](#) [2820VFP](#) [LAK.GRAFITOWY FIOŁKA](#)