

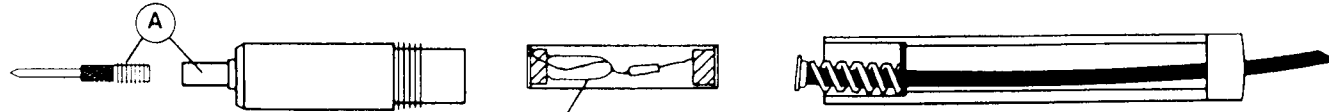


Made in the United States of America

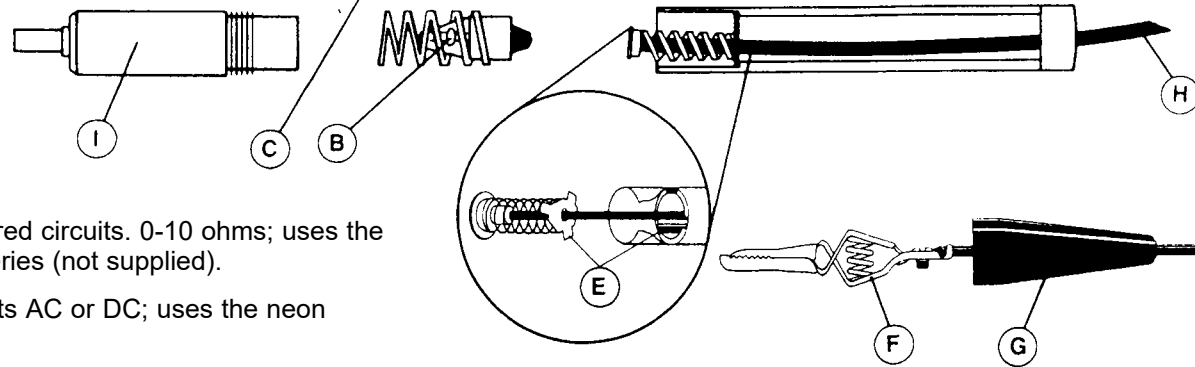
MODE 1



MODE 2



MODE 3



**MODE 1:** Continuity tester for unpowered circuits. 0-10 ohms; uses the Menda [35121](#) lamp and two AAA batteries (not supplied).

**MODE 2:** Voltage tester for 60-600 volts AC or DC; uses the neon cartridge and no batteries.

**MODE 3:** Voltage tester for 0-60 volts AC or DC; uses the Menda [35121](#) lamp and no batteries.

- A. Probe tip (included)
- B. Menda [35121](#) (included) - For use in Modes 1 and 3. Operates from 2 to 3 volts in Mode 3.
- C. Neon Cartridge (included) - For use in Mode 2.
- D. Two AAA batteries (not included) - For use in Mode 1
- E. Three point washer rides on internal steps in handle. Slides to lower position for Mode 1; upper position for Modes 2 and 3.
- F. The other end of the 3 ft wire lead is terminated with a #85 Mueller ground clip.
- G. Black insulator over clip for high voltage applications.
- H. Wire is 0.1" high flex 105 strand copper with black PVC insulated jacket; 3' length
- I. Clear butyrate window provides a 360° view of the indicator light

Specifications and procedures subject to change without notice.

### CIRCUITRACER® CONTINUITY AND VOLTAGE TESTER

# MENDA

3651 WALNUT AVENUE, CHINO, CA 91710  
PHONE: (909) 627-2453 FAX: (909) 627-7449  
WEBSITE: [MendaPump.com](http://MendaPump.com)

**DRAWING  
NUMBER**  
35100

**DATE**  
October  
2017

## X-ON Electronics

Largest Supplier of Electrical and Electronic Components

*Click to view similar products for [Component Testers](#) category:*

*Click to view products by [Desco](#) manufacturer:*

Other Similar products are found below :

[410-413](#) [FLUKE 9062](#) [2840](#) [2841](#) [570A](#) [35135](#) [815](#) [FLUKE-9040EUR](#) [881](#) [891](#) [895](#) [880-220V](#) [AK57X](#) [770734](#) [LCR200](#) [PRT200](#)  
[UM200](#) [T5-H5-1AC-KIT/US](#) [69127](#) [ET40](#) [ET45](#) [ET45VP](#) [ET60](#) [HVNCVT-1](#) [NCVT2P](#) [NCVT2PKIT](#) [NCVT3P](#) [NCVT-6](#) [RT110](#) [RT210](#)  
[RT250](#) [RT310](#) [35100](#) [35130](#) [VS-AVT-C02-L03](#) [1212598](#) [T3LCR1002](#) [T3LCR1300](#) [T3LCR1100](#) [VS-AVT-RKBB2](#) [VS-AVT-RKBB3](#) [VS-](#)  
[AVT-RKBB4](#) [NCVT-4IR](#) [LCR55A](#) [ET30B](#) [ET40B](#) [VS-AVT-C08-L10](#) [ET26B](#) [ET23B](#) [ET60](#)