

# Mounting Bracket Kit for Overhead Ionizers Installation Instructions



Made in the  
United States of America

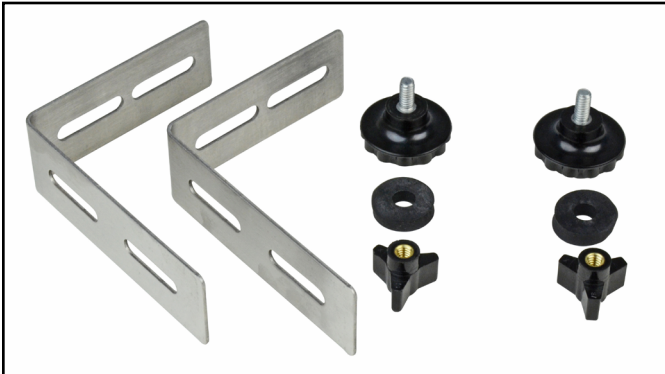


Figure 1. Desco [60469](#) Mounting Bracket Kit for Overhead Ionizers

## Description

The Desco [60469](#) Mounting Bracket Kit for Overhead Ionizers provides greater mounting flexibility than traditional hanging chains. Angle adjustment tension knobs are included to rotate and aim the ionizer directly at the area to be neutralized. Additional mounting hardware such as screws, bolts and nuts are not included.

The Desco [60469](#) Mounting Bracket Kit is compatible with the following Desco overhead ionizers:

Item	Description
<a href="#">50602</a>	Chargebuster® Overhead Ionizer with Lights, 2-Fan, 220VAC
<a href="#">50603</a>	Chargebuster® Overhead Ionizer with Lights, 3-Fan, 220VAC
<a href="#">50664</a>	Overhead Zero Volt Ionizer, 2-Fan, 120VAC
<a href="#">50665</a>	Overhead Zero Volt Ionizer, 3-Fan, 120VAC
<a href="#">50671</a>	Overhead Zero Volt Ionizer, 2-Fan, 220VAC
<a href="#">50672</a>	Overhead Zero Volt Ionizer, 3-Fan, 220VAC
<a href="#">50681</a>	Chargebuster® Overhead Ionizer, 3-Fan, 220VAC
<a href="#">50682</a>	Chargebuster® Overhead Ionizer, 2-Fan, 220VAC
<a href="#">60467</a>	Chargebuster® Overhead Ionizer with Lights, 2-Fan, 120VAC
<a href="#">60468</a>	Chargebuster® Overhead Ionizer with Lights, 3-Fan, 120VAC
<a href="#">60473</a>	Chargebuster® Overhead Ionizer, 3-Fan, 120VAC
<a href="#">60640</a>	Chargebuster® Overhead Ionizer, 2-Fan, 120VAC

## Packaging

- 2 Mounting Brackets
- 2 Fluted Knobs
- 2 3-Arm Knobs
- 2 Rubber Spacers

## Installation

1. Install the fluted knobs (A), mounting brackets (B), rubber spacers (C) and 3-arm knobs (D) to the mounting plates (E) located on both ends of the overhead ionizer.

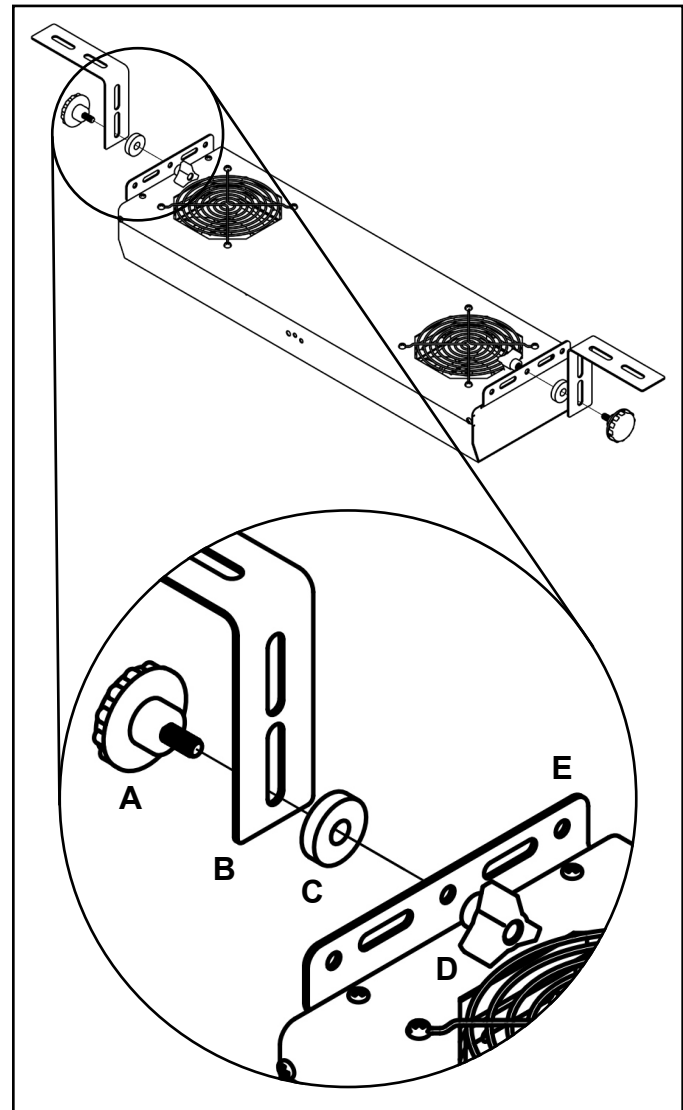


Figure 2. Installing the Mounting Bracket Kit to the Overhead Ionizer

2. Determine the mounting location for the overhead ionizer, and use hardware (not included) to secure the mounting bracket kit in place.
3. Use the fluted knobs and 3-arm knobs to rotate and aim the overhead ionizer directly at the area to be neutralized.
4. Connect the overhead ionizer's power cord to its power receptacle. Route the power cord to the AC outlet, and plug it into the outlet.



Figure 3. Using the Mounting Bracket Kit on a workbench beam



Figure 4. Securing the Mounting Bracket Kit to an overhead beam

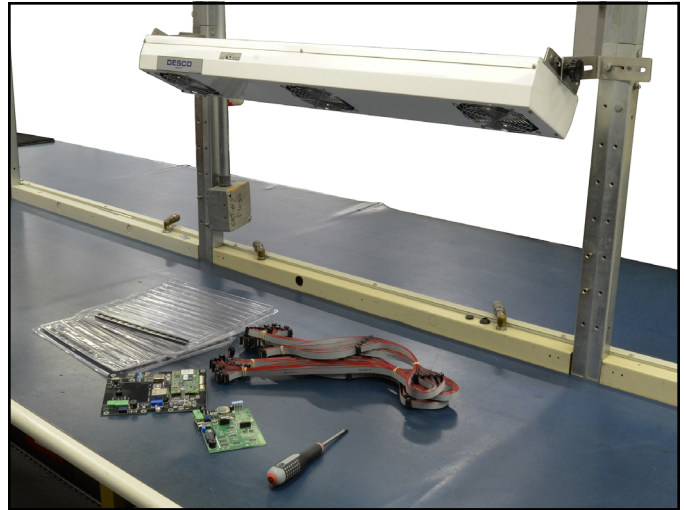


Figure 5. Using the Mounting Bracket Kit on workbench posts

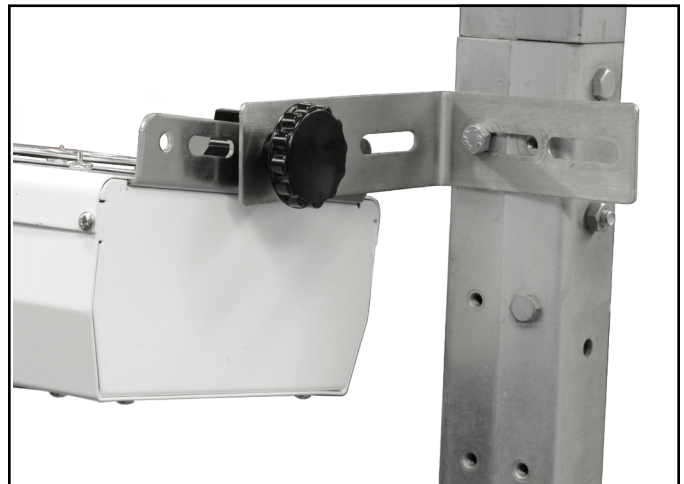


Figure 6. Securing the Mounting Bracket Kit to posts

## Specifications

Bracket Material	Stainless Steel
Dimensions	See Figure 7
Weight (per mounting bracket)	0.2 lbs. (91 g)
Country of Origin	United States of America

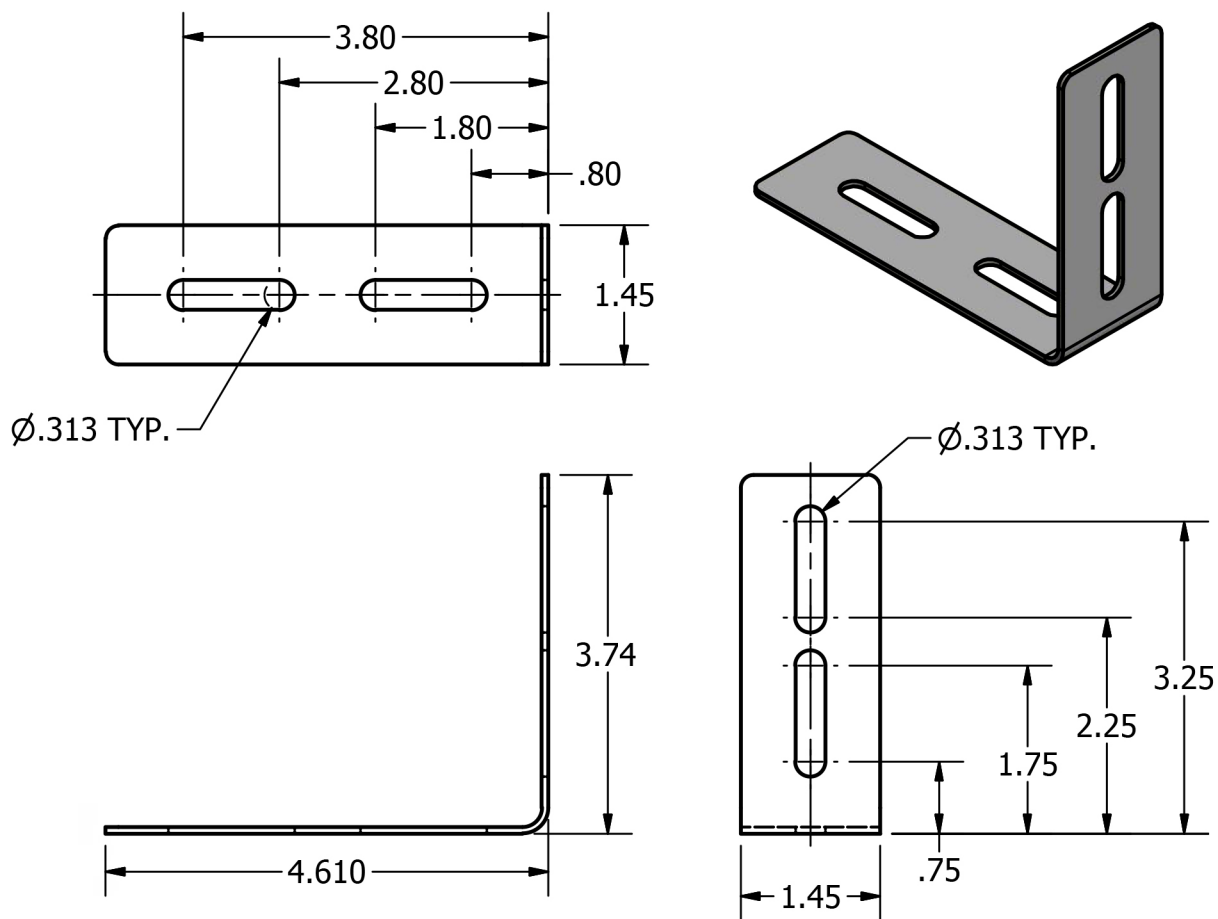


Figure 7. Dimensions of Mounting Bracket in inches

**Limited Warranty, Warranty Exclusions, Limit of Liability and RMA Request Instructions**

See the Desco Warranty -

[Desco.com/Limited-Warranty.aspx](http://Desco.com/Limited-Warranty.aspx)

## X-ON Electronics

Largest Supplier of Electrical and Electronic Components

*Click to view similar products for [Antistatic Control Products](#) category:*

*Click to view products by [Desco](#) manufacturer:*

Other Similar products are found below :

[14404](#) [2202SP](#) [37061](#) [42470](#) [09813](#) [09857](#) [09037](#) [09086](#) [09813](#) [68101](#) [68103](#) [98132](#) [73741](#) [13457](#) [13245](#) [13420](#) [13205](#) [91070](#) [66085](#)  
[13080](#) [010-0115](#) [13390](#) [09121](#) [07501](#) [09204](#) [66086](#) [66121](#) [16316](#) [13331](#) [ZJ-SD100](#) [1900-8X12](#) [1910-10X12](#) [82A3](#) [1900-6X8](#) [1900-7-15](#)  
[19866](#) [20-082-1012](#) [STS1327](#) [STW404111](#) [20-871-1418](#) [20-871-1624](#) [20-871-1818](#) [20-871-1824](#) [20-872-1418](#) [53707](#) [ELSEC 5/10](#) [52889](#)  
[52867](#) [52865](#) [52849](#)