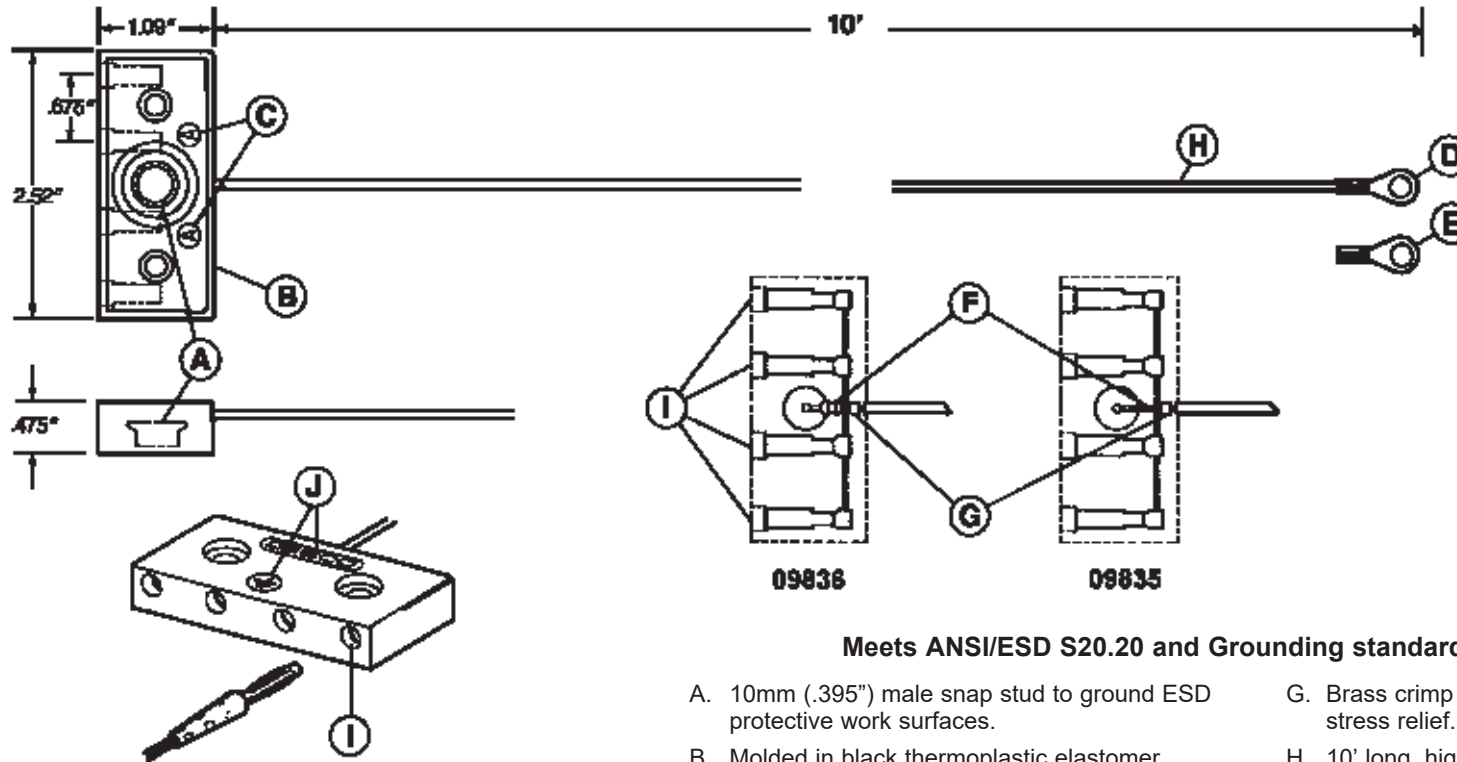




Made in the United States of America



**Meets ANSI/ESD S20.20 and Grounding standard ANSI/ESD S6.1**

- A. 10mm (.395") male snap stud to ground ESD protective work surfaces.
- B. Molded in black thermoplastic elastomer.
- C. Date coded to show month and year of manufacture.
- D. Ring terminal, .200" I.D. (#10).
- E. Extra ring terminal included for customizing length.
- F. Item [09836](#) has a one megohm resistor between the snap and ground, with the four banana jacks at ground potential. Item [09835](#) has no resistor between the snap and ground, with the banana jacks also at ground potential.
- G. Brass crimp secures conductors and provides stress relief.
- H. 10' long, high flex strand copper, 20 gauge, with PVC insulated jacket.  
[09835](#) - green insulation with yellow stripe  
[09836](#) - black insulation  
OD = .100"
- I. Four banana jacks at ground potential (.162" - .164" ± .002" ID).
- J. Desco logo and ground symbol molded onto top of snap assembly.
- K. Molded #10 mounting holes allow for permanent installation at the work bench.

Specifications and procedures subject to change without notice.

**QUAD GROUND CORD, COMMON POINT, GROUND BLOCK**

Item	Description
<a href="#">09835</a>	No Resistor - Green Wire with Yellow Stripe
<a href="#">09836</a>	One Megohm Resistor to Mat - Black Wire

DESCO WEST: 3651 WALNUT AVE., CHINO, CA 91710 WEB SITE: [Desco.com](http://Desco.com)  
 PHONE (909) 627-8178 FAX (909) 627-7449 FAX REQUEST (909) 627-7126  
 DESCO EAST: ONE COLGATE WAY, CANTON, MA 02021-1407  
 PHONE (781) 821-8370 FAX (781) 575-0172

**DRAWING NUMBER**  
09835

**DATE:**  
December 2019

**DESCO**

## X-ON Electronics

Largest Supplier of Electrical and Electronic Components

*Click to view similar products for [Antistatic Control Products](#) category:*

*Click to view products by [Desco](#) manufacturer:*

Other Similar products are found below :

[13020](#) [13490](#) [13870](#) [13879](#) [13881](#) [13883](#) [13882](#) [14404](#) [2202SP](#) [3039](#) [37061](#) [42470](#) [09060](#) [09857](#) [42516](#) [37059](#) [04563](#) [17252](#) [19691](#)  
[19695](#) [09037](#) [09826](#) [09813](#) [66070](#) [100816](#) [68101](#) [68103](#) [98132](#) [73741](#) [13868](#) [13485](#) [13457](#) [13245](#) [13468](#) [13420](#) [13332](#) [13205](#) [13135](#)  
[91070](#) [8031](#) [8523](#) [66085](#) [40931](#) [37081](#) [13080](#) [13215](#) [13806](#) [73749](#) [010-0225](#) [17260](#)