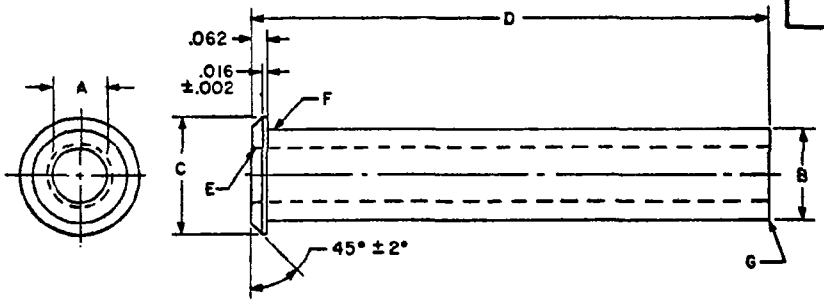


FED. SUP CLASS  
5935



USER SYMBOLS:  
ARMY-EL  
NAVY-MC, CG  
AIR FORCE-

REVIEWER SYMBOLS:  
ARMY-MI  
NAVY-  
AIR FORCE-

as of the date of this document.  
For future coordination of changes to this document, draft circulation should be based on the information in the current DD153.

Dash no.	A dia	B dia	C dia	D	E, F, G radius	Supersedes (Ref.)	
						AN3420 dash no.	MS39056 dash no.
-3	.130	.210	.379	2.875	.031	-3	-1
-4	.220	.302	.505	2.750	.031	-4	-2
-6	.312	.427	.619	2.625	.031	-6	-3
-8	.437	.552	.744	2.500	.062	-8	-4
-10	.562	.615	.889	2.375	.062	-10	-5
-12	.625	.740	1.084	2.250	.062	-12	-6
-16	.750	.927	1.314	2.125	.062	-16	-7
-20	.937	1.240	1.598	2.000	.062	-20	-8
-24	1.250	1.365	1.847	1.875	.062	-24	-9
-28	1.375	1.614	2.085	1.750	.062	-28	-10
-32	1.624	1.864	2.335	1.625	.062	-32	-11
-40	1.874	2.364	2.835	1.500	.062	-40	-12

INCHES	MM	INCHES	MM	INCHES	MM	INCHES	MM	INCHES	MM
.002	.05	.437	11.10	.927	23.55	1.614	41.00	2.125	53.98
.016	.41	.505	12.83	.937	23.80	1.624	41.25	2.250	57.15
.031	.79	.552	14.02	1.084	27.53	1.625	41.28	2.335	59.31
.062	1.57	.562	14.27	1.240	31.50	1.750	44.45	2.364	60.05
.130	3.30	.615	15.62	1.250	31.75	1.847	46.91	2.375	60.33
.210	5.33	.619	15.72	1.314	33.38	1.864	47.35	2.500	63.50
.220	5.59	.625	15.88	1.365	34.67	1.874	47.60	2.625	66.68
.302	7.67	.740	18.80	1.375	34.93	1.875	47.63	2.750	69.85
.312	7.92	.744	18.90	1.500	38.10	2.000	50.80	2.835	72.01
.379	9.63	.750	19.05	1.598	40.59	2.085	52.96	2.875	73.03
.427	10.85	.889	22.58						

NOTES:

- Material: Rubber per MIL-STD-417. Type SC515A<sub>1</sub>B<sub>1</sub>C<sub>1</sub>E<sub>3</sub>F<sub>2</sub>GM.
- Dimensions in inches. Unless otherwise specified, tolerances: Fractions  $\pm 1/32$ ; decimals  $\pm .016$ . Interpret dimensioning and tolerancing in accordance with ANSI Y14.5-1973.
- For use with clamp, cable, electrical connector MS3057-3A thru MS3057-40A and MS3057-3C thru -40C.
- For design feature purposes, this standard takes precedence over procurement documents referenced herein.
- Reference documents shall be of the issue in effect on date of invitations for bid.
- Example Part No: MS3420-3  
Dash No. ↙

any standard is approved for use by all Departments  
Agencies of the Department of Defense. Selection for all new  
engineering and design applications and for repeating use shall  
be made from this document.

P.A. NAVY - AS Other Cust	TITLE  ADAPTER, CABLE CLAMP TO CABLE, BUSHING, TELESCOPING	MILITARY STANDARD  MS3420
ARMY-WC Air Force - 85	SUPERSEDES: AN3420, MS39056(ORD), MS39057(ORD).	SHEET 1 OF 2

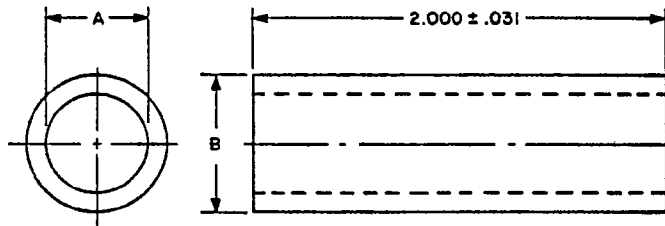
APPROVED 29 APRIL 63 REVISED (B) NOV 1974 (C) 19 APRIL 1978

USER SYMBOLS:  
ARMY-EL  
NAVY-MC CG  
AIR FORCE-

REVIEWER SYMBOLS:  
ARMY-WI  
NAVY-  
AIR FORCE-

\*Review/user information is current as of the date of this document.  
Per future coordination of changes to this document, draft circulation  
should be based on the information in the current DDJSS.

This military standard is approved for use by all Departments  
& Agencies of the Department of Defense. Selection for all new  
engineering and design applications and for repetitive use shall  
be made from this document.



Dash no.	A dia	B dia	Supersedes (Ref.)	
			AN3420 dash no.	MS39057 dash no.
-3	.125	.210	-3A	-1
-4	.219	.302	-4A	-2
-6	.312	.427	-6A	-3
-8	.438	.531	-8A	-4
-10	.438	.615	-10A	-5
-12	.541	.740	-12A	-6
-16	.750	.927	-16A	-7
-18	.938	1.115	-18A	-8
-20	.938	1.240	-20A	-9
-24	1.125	1.365	-24A	-10
-28	1.250	1.614	-28A	-11
-32	1.625	1.865	-32A	-12
-40	1.875	2.365	-40A	-13

INCHES	MM	INCHES	MM	INCHES	MM	INCHES	MM
.031	.79	.438	11.13	.938	23.83	1.614	41.00
.125	3.18	.531	13.49	1.115	28.32	1.625	41.28
.210	5.33	.541	13.74	1.125	28.58	1.865	47.37
.219	5.56	.615	15.62	1.240	31.50	1.875	47.63
.302	7.67	.740	18.80	1.250	31.75	2.000	50.80
.312	7.92	.750	19.05	1.365	34.67	2.365	60.07
.427	10.85	.927	23.55				

NOTES:

- Material: A. Rubber per MIL-STD-417. Type SC515A<sub>1</sub>B<sub>1</sub>C<sub>1</sub>E<sub>3</sub>F<sub>2</sub>GM (Black).  
D. Silicone Rubber per ZZ-R-765 Class 3a or 3b (Red).  
L. Fluorosilicone Rubber Per ZZ-R-765 Class 2a or 2b Grade 50 (Blue).
- Dimensions in inches. Unless otherwise specified, tolerances: Decimals +.016. Interpret dimensioning and tolerancing in accordance with ANSI Y14.5-1973
- For use with clamp, cable, electrical connector MS3057-3B thru MS3057-40B and MS3057-3C thru -40C, MS3415, MS3417 and MS3418.
- Example Part Number: MS3420-20 L  
Dash No. - 20  
Material - L  
Callout

P.A. NAVY-AS Other Cust  Army - WC Air Force - 85	TITLE  ADAPTER, CABLE CLAMP TO CABLE, BUSHING, TELESCOPING	MILITARY STANDARD
		MS 3420
PROCUREMENT SPECIFICATION NONE	SUPERSEDES: AN3420, MS39056 (ORD), MS39057 (ORD)	SHEET 2 OF 2

APPROVED 29 APRIL 65 REVISED ① FOR CHANGES SEE SHEETS 1 AND 2

## X-ON Electronics

Largest Supplier of Electrical and Electronic Components

*Click to view similar products for [Terminal Block Tools & Accessories](#) category:*

*Click to view products by [Detco Industries](#) manufacturer:*

Other Similar products are found below :

[1029563](#) [00171430102](#) [00171420102](#) [014415](#) [CSTSPC1-2](#) [9-1437653-4](#) [928358-1](#) [QC209/J](#) [HCL10-6](#) [1437403-6](#) [1437403-9](#) [1437403-8](#)  
[147832-1](#) [EC0037-000](#) [MT2/H--](#) [MT2/H-32](#) [MT6/H-N](#) [MT6/V-GRND](#) [MT8/H-101-110](#) [BB2-09BF](#) [EP2.5/4UN/BG](#) [1707755](#) [1735590](#)  
[1755480](#) [1760336](#) [BO3-02](#) [1789281](#) [1840227](#) [1840230](#) [1893164](#) [2-1437402-1](#) [2-1437644-9](#) [JB2-09/J](#) [2202307](#) [2302463](#) [2305949](#) [2310581](#)  
[8TK2-24](#) [91.201.1](#) [L2U2](#) [2778.0](#) [2890137](#) [2901107](#) [2901123](#) [2901699](#) [2MP/J](#) [2MV-06](#) [1705126](#) [1756294](#) [F03-25](#)