

gBat

NH 440/550V DC

fuse links

NH gBat



NH000

NH00

NH1

NH2

NH3

PROTECTING THE WORLD



Range

NH000

RATED VOLTAGE
440V DC

RATED CURRENT
20A...100A

BREAKING CAPACITY
30kA



I_n (A)	REFERENCE	PACKING Uni /BOX
20	370025	3/90
25	370030	3/90
32	370035	3/90
40	370045	3/90
50	370050	3/90
63	370055	3/90
80	370060	3/90
100	370065	3/90

NH00

RATED VOLTAGE
440V DC

RATED CURRENT
125A | 160A

BREAKING CAPACITY
30kA



I_n (A)	REFERENCE	PACKING Uni /BOX
125	370070	3/60
160	370075	3/60

NH1

RATED VOLTAGE
550V DC

RATED CURRENT
200A...280A

BREAKING CAPACITY
30kA



I_n (A)	REFERENCE	PACKING Uni /BOX
200	370260	1/30
250	370270	1/30
280	370273	1/30

Range

NH2

RATED VOLTAGE
550V DC

RATED CURRENT
315A...450A

BREAKING CAPACITY
30kA



I_n (A)	REFERENCE	PACKING Uni /BOX
315	370370	1/20
355	370375	1/20
400	370380	1/20
450	370387	1/20

NH3

RATED VOLTAGE
550V DC

RATED CURRENT
500A | 630A

BREAKING CAPACITY
30kA



I_n (A)	REFERENCE	PACKING Uni /BOX
500	370465	1/15
630	370470	1/15

Technical data

Rated voltage	NH000 NH00 > 440V DC NH1 NH2 NH3 > 550V DC L/R ≤ 10ms
Rated current	20A...630A
Rated breaking capacity	30kA
Utilization category	gBat
Storage temperature	-40°C ... 90°C
Operating temperature *	-40°C ... 80°C

* For ambient temperatures higher than 25°C it is necessary to apply a derating in maximum current.

Materials

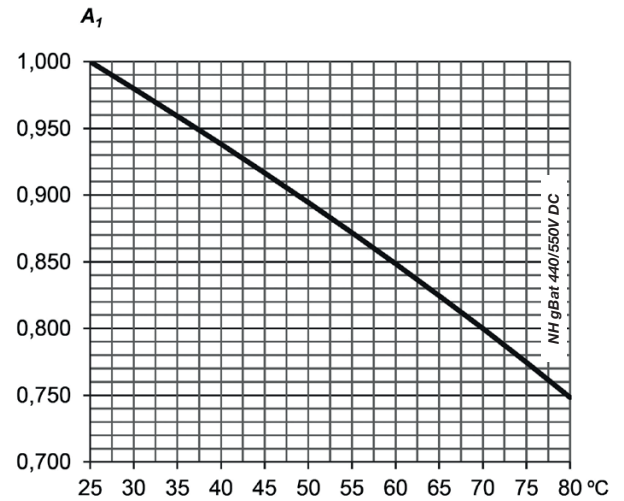
Body	Steatite C221
Contact blades	Copper or brass (silver plated)
Plates	Aluminium
Screws	Zinc plated steel

Standards

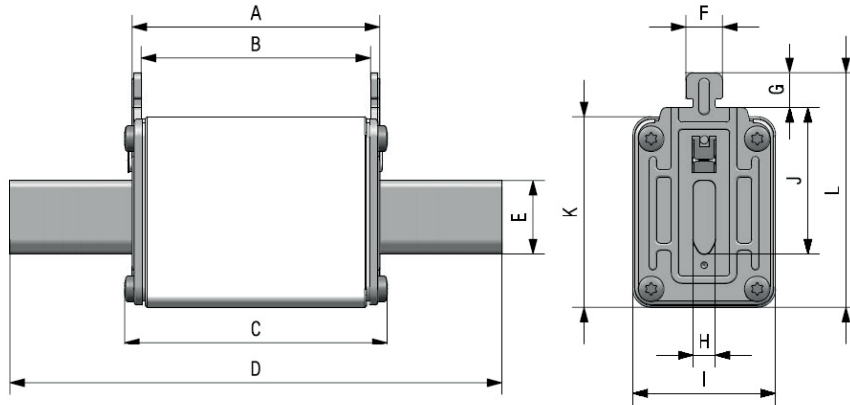
IEC/EN 60269-1
IEC 60269-7 (draft)
RoHS Compliant



Ambient temperature derating factor

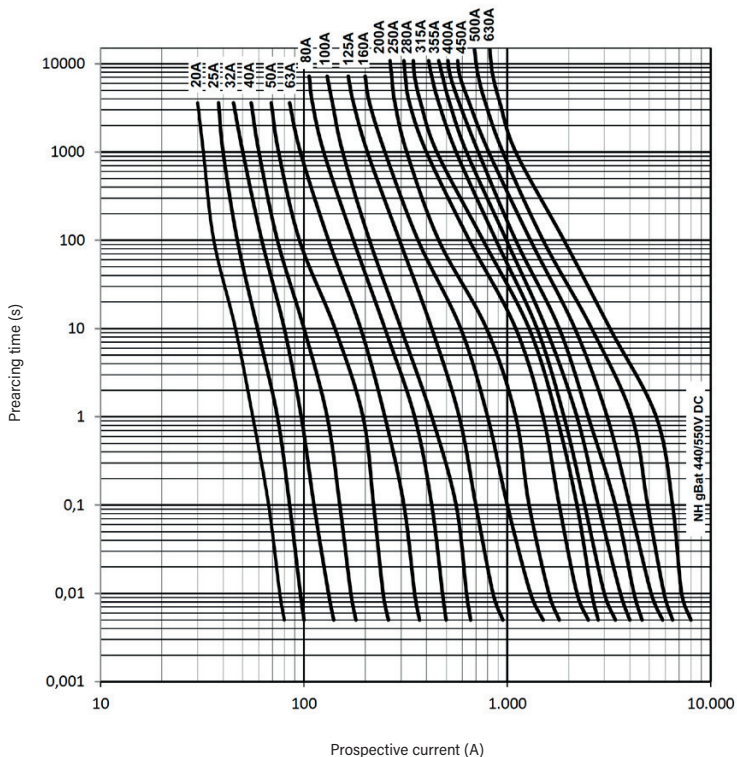


Dimensions

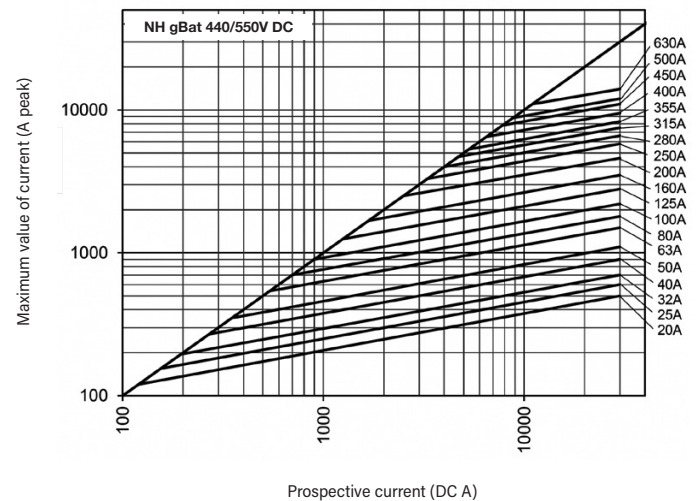


	A	B	C	D	E	F	G	H	I	J	K	L	Weight
NH000	49	45	52	78,5	15	10	9,5	6	21	35	40	53	120 gr
NH00	49	44	52	78,5	15	10	9,5	6	29	35	47	59	180 gr
NH1	68	62	71,5	135	20	10	9,5	6	39	40	52	64	380 gr
NH2	68	62	71,5	150	25	10	9,5	6	53	48	60	72	620 gr
NH3	68	62	73	150	32	10	9,5	6	70	60	75	87	1,02 kg

t-I characteristics



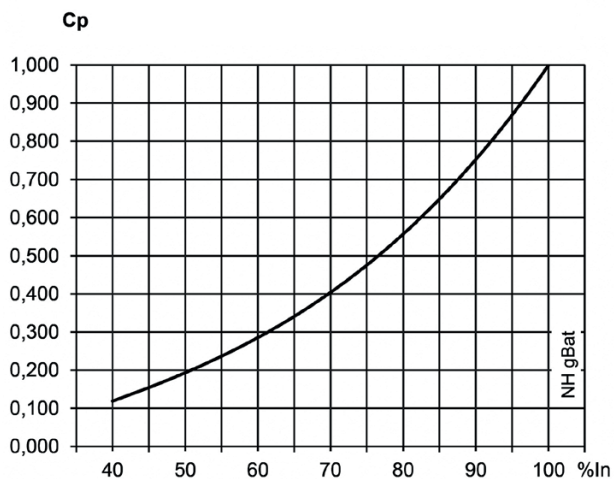
Cut-off characteristics



Power dissipation

SIZE	RATED CURRENT (A)	POWER LOSS $0,8 \cdot I_n$ (W)	POWER LOSS I_n (W)	PREARcing I_t^2 (A ² s)	OPERATING I_t^2 at U_n (A ² s)
NH000	20	2,9	5,1	40	60
	25	3,2	5,6	65	90
	32	3,9	6,6	125	175
	40	4,2	7,2	250	355
	50	5,1	8,5	425	600
	63	5,3	9,1	1000	1400
	80	6,3	11	1850	2575
	100	7,6	13,3	3300	4600
NH00	125	8,3	14,7	6850	8800
	160	10,5	18,2	12900	16500
NH1	200	370260	16,1	28,6	18000
	250	370270	19,5	33,2	34500
	280	370273	20,1	35,7	51300
NH2	200	370370	20,8	35,8	86750
	250	370375	23,4	40,1	115500
	280	370380	24,4	42,6	172500
	280	370387	33,9	47,2	241000
NH3	500	370465	27,6	47,1	330000
	630	370470	34,3	60,4	605000

Correction factor for power loss



HEAD OFFICE AND FACTORY

SILICI, 67-69
08940 CORNELLA DE LLOBREGAT
BARCELONA
SPAIN
Tel. +34 93 377 85 85
Fax +34 93 377 82 82

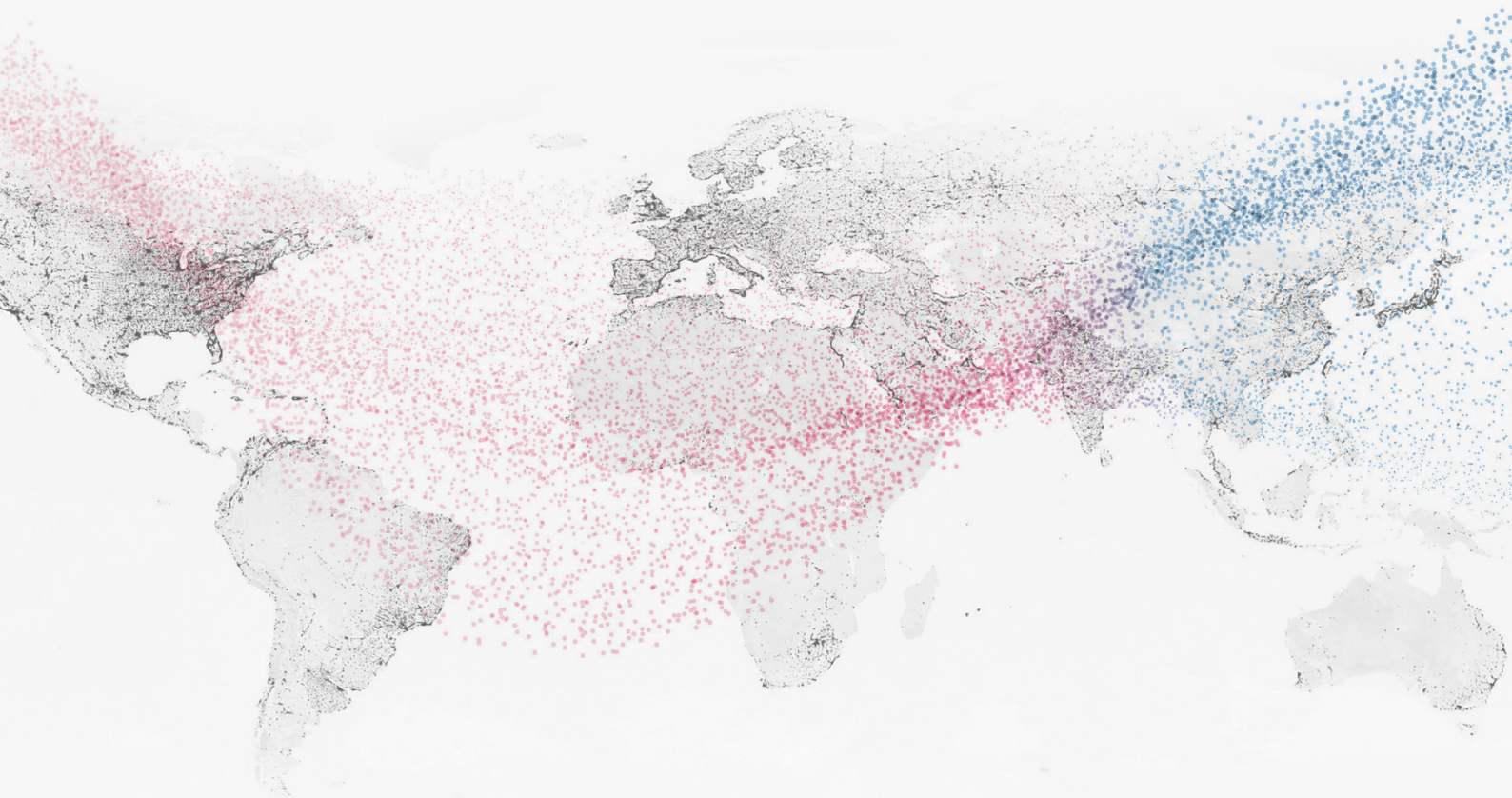
INTERNATIONAL SALES

Tel. +34 93 475 08 64
Fax +34 93 480 07 75
export@dfelectric.es

NATIONAL SALES

Tel. 93 475 08 64
Fax 93 480 07 76
comercial@dfelectric.es

dfelectric.es



The data reflected in this technical record are subject to the correct installation of the product in accordance with manufacturer's instructions, relevant installation standards and professional practices, maintained and used in applications for which they were made.

The products described in this document have been designed, developed and tested in accordance with specific standard. They are considered components that are integrated as part of installation, machine or equipment. The correct general operation of the referred product is responsibility of the manufacturer of the installation, machine or equipment.

DF ELECTRIC cannot guarantee the characteristics of an installation, machine or equipment that has been designed by a third party. Once a product has been selected, the user must verify that it is appropriate for its application, through the verifications and/or tests that it deems appropriate.

DF ELECTRIC retains the right to change the dimensions, specifications, materials or design of its products at any time with or without notice.



PROTECTING THE WORLD



X-ON Electronics

Largest Supplier of Electrical and Electronic Components

Click to view similar products for [Industrial & Electrical Fuses](#) category:

Click to view products by [DF Electric](#) manufacturer:

Other Similar products are found below :

[MTH-8](#) [BP/NON-30](#) [NLN2](#) [NLN25](#) [KTN-R-10](#) [FLSR100](#) [BLF6](#) [KLK003](#) [NLS10](#) [TCF100RN](#) [382000](#) [382010](#) [382015](#) [382030](#) [381455](#)
[381325](#) [381390](#) [382110](#) [382115](#) [382120](#) [382125](#) [384510](#) [397180](#) [397270](#) [365020](#) [365025](#) [365030](#) [365035](#) [365045](#) [365055](#) [365065](#)
[365070](#) [365085](#) [365225](#) [365230](#) [365235](#) [365240](#) [365245](#) [365250](#) [365255](#) [365260](#) [365270](#) [365280](#) [365282](#) [365290](#) [365350](#) [365360](#)
[365370](#) [365380](#) [365387](#)