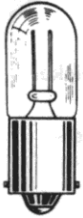


Large Neon Indicators WITH BUILT-IN RESISTOR

FOR MOUNTING IN 1" CLEARANCE HOLE

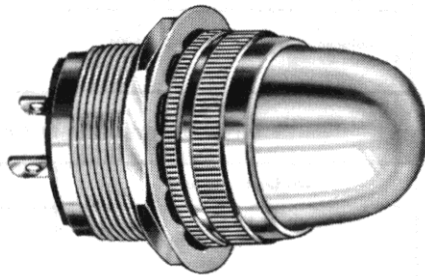


T-3 1/4
B1A (NE-51)
B2A (NE-51H)
MINIATURE BAYONET BASE

See lamp ratings
on page L.

Recognized under the component
program of Underwriters'
Laboratories Inc.

75W., 125V.
75W., 250V.



80-0463-0931-311
Stovepipe lens

Note: These assemblies are also available with 31 (friction-fit) and 51 (screw-on) Series Lens Caps. Please contact the factory for data and ordering information.

80 SERIES

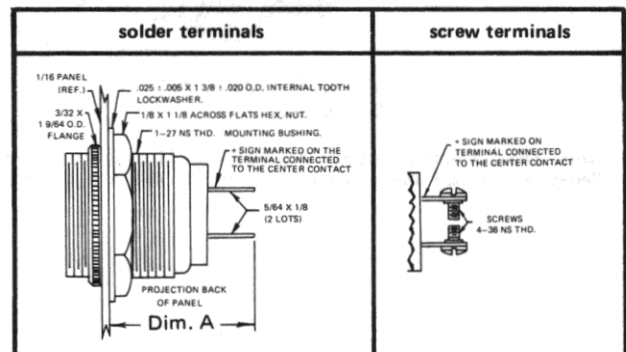
MATERIALS AND FINISHES

- **Mounting Bushing:** Standard—brass, white nickel finish. Optional—black nickel finish.
- **Lens Holder and Knurled Flange Ring:** Standard—brass, polished chrome finish. Optional—black nickel or satin chrome finish.
- **Mounting Nut:** Brass, white nickel finish.
- **Internal-tooth Lockwasher:** Phosphor bronze, white nickel finish.
- **Terminals:** Solder—brass, hot tinned with elongated slot. Screw—brass, white nickel finish.

How to designate the three digit part number suffix (-XXX)

Finish	Resistor	Hardware
2 - black nickel	1 - 22K	1 - brass
3 - polished chrome	3 - 33K	3 - water-tight on the face of the panel
4 - satin chrome	4 - 56K	
	7 - 100K	

WITH SCREW-ON LENS CAPS



Dim. A
1 3/32 Max.

BASE PART NUMBERS

105-125VAC-DC*
110-125VAC†

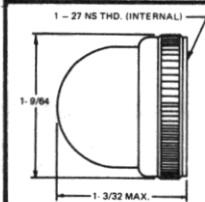
80-0408-09-341
80-0463-09-311

80-1308-09-341
80-1363-09-311

CAP PART NUMBERS

VOLTAGES

COMPLETE ASSEMBLY PART NUMBERS



STOVEPIPE
80-0931-300 transparent

105-125V AC-DC
110-125 VAC

80-0408-0931-341
80-0463-0931-311

80-1308-0931-341
80-1363-0931-311

Dim. A
1 13/32 Max.

BASE PART NUMBERS

105-125VAC-DC*
110-125VAC†

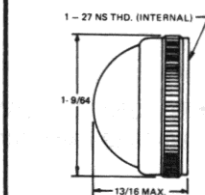
80-0408-05-341
80-0463-05-311

80-1308-05-341
80-1363-05-311

CAP PART NUMBERS

VOLTAGES

COMPLETE ASSEMBLY PART NUMBERS



DOMES
■ 80-1231-300 transparent

105-125V AC-DC
110-125 VAC

■ 80-0408-1231-341
■ 80-0463-1231-311

■ 80-1308-1231-341
■ 80-1363-1231-311

80-0841-300 matted back

105-125V AC-DC
110-125 VAC

80-0408-0841-341
80-0463-0841-311

80-1308-0841-341
80-1363-0841-311

■ To specify white translucent color, change the group of digits of the part number that reads -1231 - to -0835 -. Example: 80-0408-0835-341.

Part numbers in this catalog designate products with RED lens. For ordering lens colors other than red, consult chart on page 2D.

* Standard brightness
† High brightness

Part numbers shown in gray are normally in inventory at your Dialight Distributor.

X-ON Electronics

Largest Supplier of Electrical and Electronic Components

Click to view similar products for [Lamp Lenses](#) category:

Click to view products by [Dialight](#) manufacturer:

Other Similar products are found below :

[812-0974](#) [140-1475-003](#) [151-2900-200](#) [199-5261](#) [221-1131-203](#) [222-0113-303](#) [222-0135-203](#) [270-0121](#) [221-1132-203](#) [222-0135-303](#)
[22872.9](#) [39-02-4A](#) [39-02-6A](#) [39-08-3A](#) [39-08-4A](#) [39-12-1A](#) [D38999/20ZA98SA](#) [359-8430-0932-502-327](#) [39-02-3A](#) [39-12-2A](#) [39-12-7B](#)
[402-0172-100](#) [402-0175-100](#) [053-0992](#) [053-0993](#) [053-0994](#) [091-0931](#) [091-0971](#) [091-0932](#) [101-0974](#) [103-1233-403](#) [533-0001](#) [533-0601](#)
[534-0701-537](#) [270-0212](#) [359-8430-0932-502](#) [0190535300](#) [0510113303](#) [39-06-2A](#) [199-5263](#) [241-0001-804](#) [830-1432-003](#) [39-08-7A](#) [271-](#)
[0171](#) [047-2900-400](#) [39-04-4B](#) [1813/8](#) [R14-13](#) [BF2.4/RC](#) [128-0931-003](#) [FCP-M1-XPE1-HRF](#)