

INCANDESCENT PANEL MOUNT INDICATORS

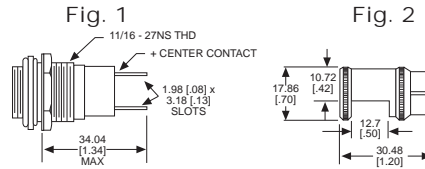


021 SERIES FOR 11/16" MOUNTING HOLE • LIGHT SHIELD

BASE PART NO.	VOLTAGE	FIG
021-0410-29-301	2-120	1

CAP PART NO.	COLOR	FIG
021-2900-300	NO LENS	2

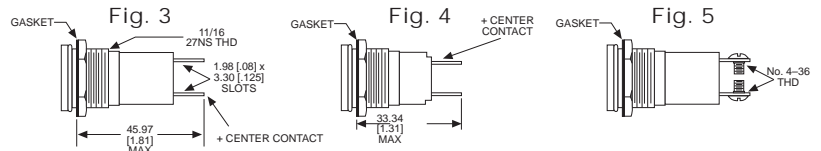
Material & Finish: Chrome Plated Brass



Uses:
T-3 1/4 MINIATURE
BAYONET BASE
INCANDESCENT LAMP

052, 081, 095, 135 SERIES FOR 11/16" MOUNTING HOLE • WATERTIGHT

BASE PART NO.	VOLTAGE	FIG
081-0410-01-303	2-120	3
081-1059-01-303†	2-120	4
081-1310-01-303	2-120	5



† Part No. 081-1059-01-303 uses T2 Telephone Slide Base Lamp (PSB Type); CSA certified

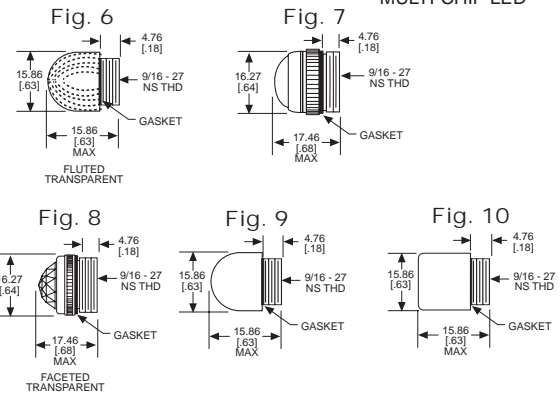
** Dialight recommends: transparent lens caps for Based LED;
Clear lens caps for green Based LEDs

Uses:
T-3 1/4 MINIATURE BAYONET BASE
INCANDESCENT LAMP,
CLUSTER BASED LED** OR
MULTI-CHIP LED**

CAP PART NO. *	COLOR	FIG	CAP PART NO. *	COLOR	FIG
052-3191-003	RED	6	081-0433-303	AMBER	8
052-3192-003	GREEN	6	081-0435-303	WHITE	8
052-3193-003	AMBER	6	081-0437-303	CLEAR	8
052-3195-003	WHITE	6	095-3137-003	CLEAR	9
052-3197-003	CLEAR	6	095-3171-003	RED	9
081-0111-303	RED	7	095-3172-003	GREEN	9
081-0112-303	GREEN	7	095-3173-003	AMBER	9
081-0113-303	AMBER	7	095-3175-003	WHITE	9
081-0117-303	CLEAR	7	135-3237-003	CLEAR	10
081-0135-303	WHITE	7	135-3271-003	RED	10
081-0137-303	CLEAR	7	135-3272-003	GREEN	10
081-0431-303	RED	8	135-3273-003	AMBER	10
081-0432-303	GREEN	8	135-3275-003	WHITE	10

Material & Finish: Base - Chrome Plated Brass,
Cap - Polycarbonate with Chrome Plated Bezel on
the 081 Series Fig. 7 and Fig. 8.

** Dialight recommends: transparent lens caps for
Based LED; Clear lens caps for green Based LEDs

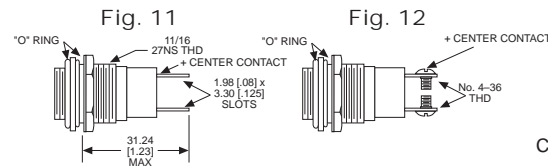


***PART NUMBER ORDERING CODE**
081-0xxx-303
Series Lens Finish:
1 = Back Frosted
(Not available in white)
3 = Transparent**

***PART NUMBER ORDERING CODE**
095 - 31xx - 003
135 - 32xx - 003
Series Lens Finish:
3 = Transparent**
7 = Translucent
(Not available in clear)

125 SERIES FOR 11/16" MOUNTING HOLE • OILTIGHT*

BASE PART NO.	VOLTAGE	FIG
125-0410-11-103	2-120	11
125-1310-11-103	2-120	12

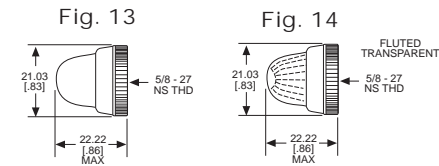


Uses:
T-3 1/4 MINIATURE
BAYONET BASE
INCANDESCENT LAMP,
CLUSTER BASED LED**,
OR MULTI-CHIP LED**

CAP PART NO.	COLOR	FIG	CAP PART NO.	COLOR	FIG
125-1131-403	RED	13	125-1191-403	RED	14
125-1132-403	GREEN	13	125-1192-403	GREEN	14
125-1133-403	AMBER	13	125-1193-403	AMBER	14
125-1135-403	WHITE	13	125-1195-403	WHITE	14
125-1137-403	CLEAR	13	125-1197-403	CLEAR	14

Material & Finish: Base - Nickel Plated Brass
Cap - Polycarbonate with Chrome Plated Brass Bezel

* See Page 14 for Oiltight information
Neon and incandescent lamp information on Pages 35 and 36.
Based LED lamp information on Pages 37 through 40.



***PART NUMBER ORDERING CODE**
125 - 11xx - 403
Series Lens Finish:
1 = Back Frosted
(Not available in white)
3 = Transparent**

** Dialight recommends: transparent lens caps for Based LED; Clear lens caps for green Based LEDs



X-ON Electronics

Largest Supplier of Electrical and Electronic Components

Click to view similar products for [Lamp Lenses](#) category:

Click to view products by [Dialight](#) manufacturer:

Other Similar products are found below :

[812-0974](#) [140-1475-003](#) [151-2900-200](#) [199-5261](#) [221-1131-203](#) [222-0113-303](#) [222-0135-203](#) [270-0121](#) [221-1132-203](#) [222-0135-303](#)
[22872.9](#) [39-02-4A](#) [39-02-6A](#) [39-08-3A](#) [39-08-4A](#) [39-12-1A](#) [D38999/20ZA98SA](#) [359-8430-0932-502-327](#) [39-02-3A](#) [39-12-2A](#) [39-12-7B](#)
[402-0172-100](#) [402-0175-100](#) [053-0992](#) [053-0993](#) [053-0994](#) [091-0931](#) [091-0971](#) [091-0932](#) [101-0974](#) [103-1233-403](#) [533-0001](#) [533-0601](#)
[534-0701-537](#) [270-0212](#) [359-8430-0932-502](#) [0190535300](#) [0510113303](#) [39-06-2A](#) [199-5263](#) [241-0001-804](#) [830-1432-003](#) [39-08-7A](#) [271-](#)
[0171](#) [047-2900-400](#) [39-04-4B](#) [1813/8](#) [R14-13](#) [BF2.4/RC](#) [128-0931-003](#) [FCP-M1-XPE1-HRF](#)