

# Incandescent Indicators

TWO TERMINALS— FULLY INSULATED

FOR MOUNTING IN 15/32" CLEARANCE HOLE

MEET OR EXCEED ENVIRONMENTAL AND OPERATIONAL REQUIREMENTS  
OF MIL-L-6723 AND MIL-L-3661B.



T-1 3/4  
MIDGET  
FLANGE BASE  
See lamp ratings  
on page J.

## MATERIALS AND FINISHES

- **Mounting Bushing:** Aluminum, black anodize finish.
- **Internal-tooth Lockwasher and Mounting Nut:** Steel, cadmium plated with yellow iridescent chromate finish.
- **Terminals:** Brass, hot tinned with elongated slot.

## Feature

- **Anti-rotation (locked) construction:** Provides for secure locking of the socket terminal assembly in the mounting bushing and of the center terminal to the insulating disc. The notched mounting bushing receives the matched insulating disc to prevent the rotation of the mounting bushing.



360-8430-0371-502  
LH73/1; LC11RT2  
Flat Lens

Per MIL-L-3661B

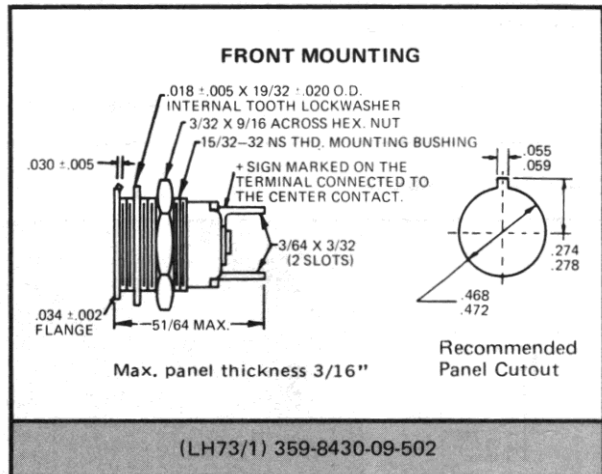
QPL Listed

## 360 SERIES

### Colored Legends

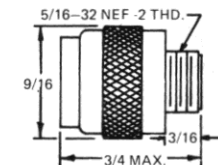
**Colored legends on black or gray lenses:** Legends can also be furnished in "negative" or "reverse" style, in which the legend is illuminated in white or other color while the background remains opaque black or gray. To obtain opaque black lens change the "03" in the part number to "57", and to "58" to obtain opaque gray lens.

Examples: 178-5871-500 (gray lens cap)  
360-8430-5871-502 (complete assembly).



### BASE PART NUMBERS

CAP PART NUMBERS	TYPE DESIG.	PART NUMBER	LENS CAP COLOR	COMPLETE ASSEMBLY PART NUMBERS
<b>Flat—Non-Diffusing</b>				
	LC11RN2	178-0331-500	Red	360-8430-0331-502
	LC11GN2	178-0332-500	Green	360-8430-0332-502
	LC11YN2	178-0333-500	Yellow (amber)	360-8430-0333-502
	LC11BN2	178-0334-500	Blue	360-8430-0334-502
	LC11CN2	178-0337-500	Clear (colorless)	360-8430-0337-502
<b>Flat—Translucent</b>				
	LC11RT2	178-0371-500	Red	360-8430-0371-502
	LC11GT2	178-0372-500	Green	360-8430-0372-502
	LC11YT2	178-0373-500	Yellow (amber)	360-8430-0373-502
	LC11BT2	178-0374-500	Blue	360-8430-0374-502
	LC11WT2	178-0375-500	White	360-8430-0375-502



For legends on flat faced lens, see page P

Part numbers shown in gray are normally in inventory at your Dialight Distributor.

Order complete with lamp to be assured of receiving the indicator light and correct lamp together for immediate use.

## X-ON Electronics

Largest Supplier of Electrical and Electronic Components

*Click to view similar products for [Lamp Lenses](#) category:*

*Click to view products by [Dialight](#) manufacturer:*

Other Similar products are found below :

[812-0974](#) [140-1475-003](#) [151-2900-200](#) [199-5261](#) [221-1131-203](#) [222-0113-303](#) [222-0135-203](#) [270-0121](#) [221-1132-203](#) [222-0135-303](#)  
[22872.9](#) [39-02-4A](#) [39-02-6A](#) [39-08-3A](#) [39-08-4A](#) [39-12-1A](#) [D38999/20ZA98SA](#) [359-8430-0932-502-327](#) [39-02-3A](#) [39-12-2A](#) [39-12-7B](#)  
[402-0172-100](#) [402-0175-100](#) [053-0992](#) [053-0993](#) [053-0994](#) [091-0931](#) [091-0971](#) [091-0932](#) [101-0974](#) [103-1233-403](#) [533-0001](#) [533-0601](#)  
[534-0701-537](#) [270-0212](#) [359-8430-0932-502](#) [0190535300](#) [0510113303](#) [39-06-2A](#) [199-5263](#) [241-0001-804](#) [830-1432-003](#) [39-08-7A](#) [271-](#)  
[0171](#) [047-2900-400](#) [39-04-4B](#) [1813/8](#) [R14-13](#) [BF2.4/RC](#) [128-0931-003](#) [FCP-M1-XPE1-HRF](#)