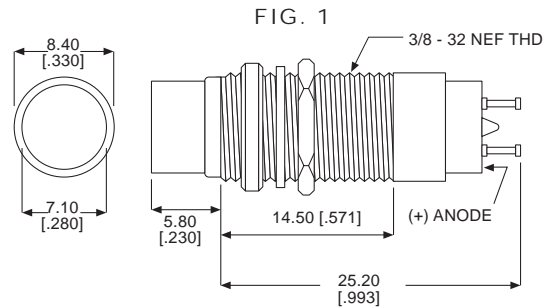


249 SERIES FOR 3/8" MOUNTING HOLE • CYLINDRICAL CAP

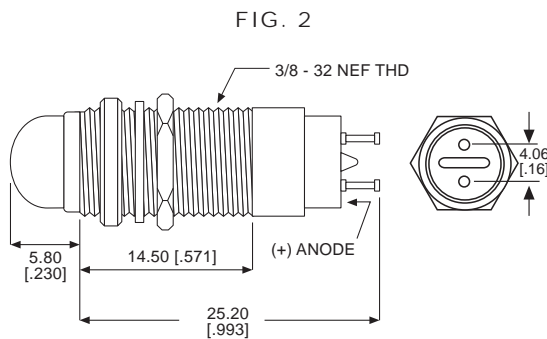
PART NO.	COLOR	V _F	mA	mcd†	FIG.
249-4162-3334-504	Blue	3	10	120	1
249-7867-3331-504	Red	3.6	20	30	1
249-7967-3332-504	Green	3.6	20	40	1
249-8067-3333-504	Yellow	3.6	20	40	1
249-4164-3334-504	Blue	5	10	120	1
249-7868-3331-504	Red	5	20	30	1
249-7968-3332-504	Green	5	20	40	1
249-8068-3333-504	Yellow	5	20	40	1
249-4166-3334-504	Blue	10	10	120	1
249-7870-3331-504	Red	10	20	30	1
249-7970-3332-504	Green	10	20	40	1
249-8070-3333-504	Yellow	10	20	40	1
249-4167-3334-504	Blue	14	10	120	1
249-7871-3331-504	Red	14	20	30	1
249-7971-3332-504	Green	14	20	40	1
249-8071-3333-504	Yellow	14	20	40	1
249-4168-3334-504	Blue	28	10	120	1
249-7872-3331-504	Red	28	20	30	1
249-7972-3332-504	Green	28	20	40	1
249-8072-3333-504	Yellow	28	20	40	1



† mcd intensity of LED

Material & Finish: Housing, Cartridge and Holder - Black Anodized Aluminum. Cap -High Impact Plastic

249 SERIES FOR 3/8" MOUNTING HOLE • STOVEPIPE CAP



PART NO.	COLOR	V _F	mA	mcd†	FIG.
249-4162-3734-504	Blue	3	10	400	2
249-7867-3731-504	Red	3.6	20	30	2
249-7967-3732-504	Green	3.6	20	40	2
249-8067-3733-504	Yellow	3.6	20	40	2
249-4164-3734-504	Blue	5	10	400	2
249-7868-3731-504	Red	5	20	30	2
249-7968-3732-504	Green	5	20	40	2
249-8068-3733-504	Yellow	5	20	40	2
249-4166-3734-504	Blue	10	10	400	2
249-7870-3731-504	Red	10	20	30	2
249-7970-3732-504	Green	10	20	40	2
249-8070-3733-504	Yellow	10	20	40	2
249-4167-3734-504	Blue	14	10	400	2
249-7871-3731-504	Red	14	20	30	2
249-7971-3732-504	Green	14	20	40	2
249-8071-3733-504	Yellow	14	20	40	2
249-4168-3734-504	Blue	28	10	400	2
249-7872-3731-504	Red	28	20	30	2
249-7972-3732-504	Green	28	20	40	2
249-8072-3733-504	Yellow	28	20	40	2

† mcd intensity of LED

Material & Finish: Housing, Cartridge and Holder - Black Anodized Aluminum. Cap -High Impact Plastic

Dimensions in mm [inches]

X-ON Electronics

Largest Supplier of Electrical and Electronic Components

Click to view similar products for [LED Panel Mount Indicators](#) category:

Click to view products by [Dialight](#) manufacturer:

Other Similar products are found below :

[607-1312-310F](#) [607-3232-140F](#) [6091M1-24V](#) [6091M5-24V](#) [6091M7-24V](#) [821-0331-503](#) [FL2870C8R](#) [FL2950WL7B](#) [FL589WL8R](#)
[Q6P3BXXB12E](#) [H8630FBBA3](#) [MPC5ADW6.0](#) [DX1091GN](#) [NL177WL3G](#) [NL276C3G](#) [NL2950BWL3G](#) [NL2950CWL2R](#) [NL589WL2R](#)
[NL67C3G](#) [NL67C3R](#) [2191L1-12V](#) [PB22SIOL0RG](#) [PB22SPPM41R](#) [PB22SPPM61R](#) [LE177C5B](#) [LH1048BSWL3702](#) [LH1048BWL3702](#)
[LH382A](#) [LHM62B](#) [SSI-LXH387USBD-150](#) [SSI-LXH9ZIC40587](#) [SSP-LXS110818BA](#) [FL2950BWL7R](#) [FL2950WL7R](#) [FL2951WL8G](#)
[FL2951WL8R](#) [FL589C7R](#) [FL67C7R](#) [FL67WL8G](#) [2191QU7-24V](#) [2191U1-12V](#) [2191U5-12V](#) [2191U5-6V](#) [2191U7-12V](#) [249-4167-3734-](#)
[504F](#) [Q6P5BXXG02E](#) [3990A7](#) [5110F3-12V](#) [MPC5BCW18.0](#) [556-1237-801F](#)