

# and ordering information

For Datalites covered by MIL-L-3661B, see pages 18B-20B.

Note: Similar assemblies accommodating non-replaceable lamps - for mounting in 3/8" clearance holes - are described on pages 22B-24B.

## MATERIALS AND FINISHES



### Datalamp Holder

- **Mounting Bushing:** Aluminum, black anodize.
- **Collar and Flange Nut:** Aluminum. Standard finish - black anodize. Optional - clear anodize.
- **Mounting Nut:** Brass, white nickel finish.
- **Internal-tooth Lockwasher:** Phosphor bronze, white nickel finish.
- **Terminals:** Phosphor bronze, gold plated.

### Data Cap

- **Lens:** High heat resisting plastic. Spring mounted, rotatable.
- **Lens Holder:** Aluminum. Standard finish - black anodize. Optional - clear anodize.

Legend Specifications: See page 25B.

 Amp "53" Taper Pin Receptacles	 Solder Blade Terminals	Dim. "A"	Data Cap Number*
250-9038-1431-504	250-7438-1431-504	29/32"	250-1431-500
250-9038-1471-504	250-7438-1471-504	29/32"	250-1471-500
250-9038-3331-504	250-7438-3331-504	29/32"	250-3331-500
250-9038-1531-504	250-7438-1531-504	29/32"	250-1531-500
250-9038-1631-504	250-7438-1631-504	29/32"	250-1631-500
_____	_____	1.428"	250-1471-500
_____	_____	1.428"	250-3331-500
_____	253-6939-1431-504	63/64"	253-1431-500
_____	253-6945-1431-504	1 1/16"	253-1431-500
250-9045-1431-504	250-7445-1431-504	63/64"	250-1431-500
250-9045-3331-504	250-7445-3331-504	63/64"	250-3331-500
250-9045-1531-504	250-7445-1531-504	63/64"	250-1531-500
250-9045-1631-504	250-7445-1631-504	63/64"	250-1631-500
250-9038-1431-504	250-7438-1431-504	29/32"	250-1431-500
250-9038-3331-504	250-7438-3331-504	29/32"	250-3331-500
250-9038-1531-504	250-7438-1531-504	29/32"	250-1531-500
250-9038-1631-504	250-7438-1631-504	29/32"	250-1631-500

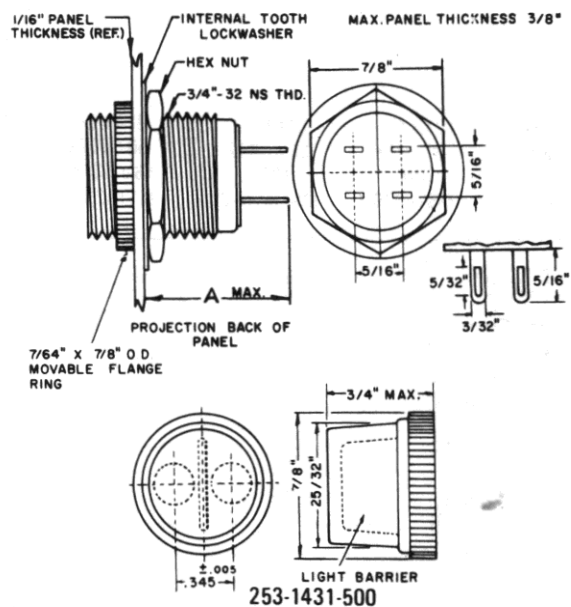
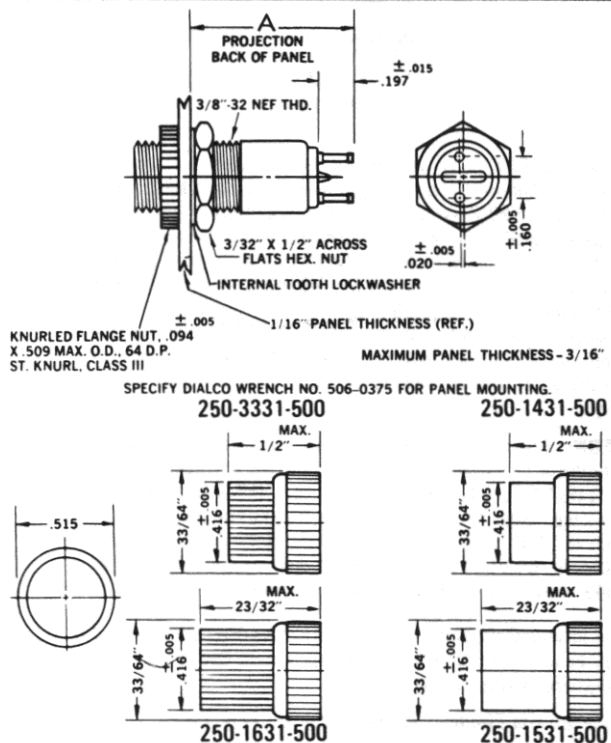
### \*DATA CAP LENS COLORS

1 - Red	5 - White
+2 - Green	(translucent)
3 - Yellow (amber)	6 - Light Yellow
+4 - Blue	7 - Clear (colorless)

\* The part numbers in the large chart above designate complete indicators with red data cap. To obtain other colors, change the last digit in code block three.

Example: 250-8738-1433-504 (Yellow Amber).

+ Blue and green are not recommended for use with neon.



## X-ON Electronics

Largest Supplier of Electrical and Electronic Components

*Click to view similar products for [Lamp Lenses](#) category:*

*Click to view products by [Dialight](#) manufacturer:*

Other Similar products are found below :

[801-0334-500](#) [812-0974](#) [140-1475-003](#) [151-2900-200](#) [199-5261](#) [221-1131-203](#) [222-0113-303](#) [222-0135-203](#) [270-0121](#) [221-1132-203](#) [222-0135-303](#) [22872.9](#) [39-02-4A](#) [39-02-6A](#) [39-08-3A](#) [39-08-4A](#) [39-12-1A](#) [359-8430-0932-502-327](#) [39-02-3A](#) [39-06-4A](#) [39-12-2A](#) [402-0172-100](#) [402-0175-100](#) [053-0992](#) [053-0993](#) [053-0994](#) [091-0931](#) [091-0971](#) [091-0932](#) [103-1233-403](#) [533-0001](#) [533-0601](#) [270-0212](#) [359-8430-0932-502](#) [0190535300](#) [0510113303](#) [39-06-2A](#) [199-5263](#) [241-0001-804](#) [830-1432-003](#) [39-08-7A](#) [271-0171](#) [047-2900-400](#) [39-04-4B](#) [1813/8R14-13](#) [BB4-NR](#) [BF2.4/RC](#) [128-0931-003](#) [39-02-5A](#) [162-0932](#)