

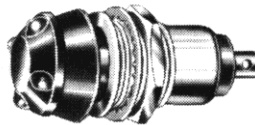
Incandescent Indicators for Translucent Panel Edge Lighting for use with MIL-P-7788 Plastic Panels

FOR FRONT MOUNTING IN 15/32" CLEARANCE HOLE

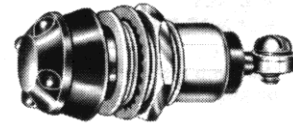


**T-1 3/4
MIDGET
FLANGE BASE**

See lamp ratings
on page J.



270-1930-0111-702



270-1830-0111-702

ONE TERMINAL

These indicators are designed to emit light through a colored filter radially into the plastic plate. A resilient light seal washer (light trap) insures against light loss at the front of the panel.

When it is necessary to insulate the mounting bushing of the one-terminal grounded lights from the metal panel, 2 insulating washers and 1 grounding terminal may be provided. See Insulating Mounting on page 31C.

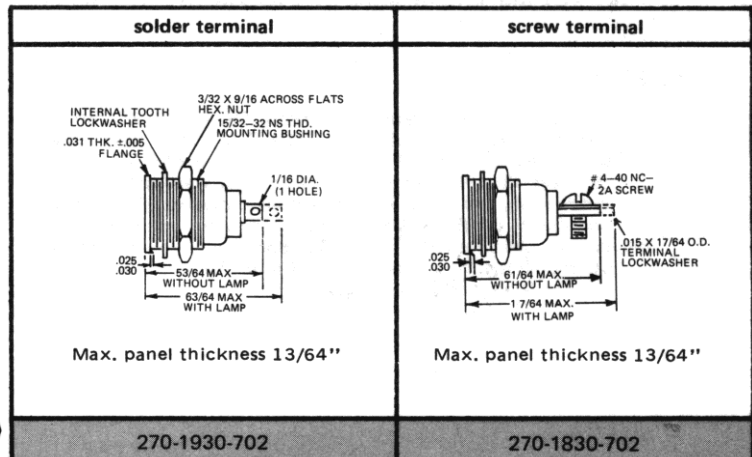
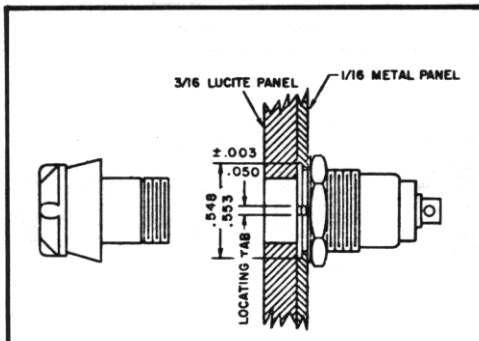
NOTE: Revision E dated 5 February 1971 made MS25010 inactive. Assemblies with the Type C Indicator Base were superseded by LH92/1 and LC34 Series per MIL-L-3661 /51 and /34. No superseding assemblies were offered for those using the Type A and B Base. However, due to the popularity of these MS assemblies and to facilitate your future procurement, we have continued to list these assemblies, the comparable Military Type designations and the Dialight Part Numbers.

MATERIALS AND FINISHES

- **Mounting Bushing:** Brass, cadmium plated with yellow iridescent chromate finish.
- **Hardware:** Internal-tooth lockwasher and hex mounting nut—steel, cadmium plated with yellow iridescent chromate finish.
- **Terminals:** Solder — Brass, hot-tinned.
Screw — Brass, cadmium plated with yellow iridescent chromate finish.

Note: On all units, the shank of the lens holder is crimped in 3 evenly spaced places to secure the lamp.

**MS25010 — REVISION D
OPL LISTED**



**HOLDER (filter cap)
ASSEMBLY PART NUMBERS**

BASE PART NUMBERS

	Part number	Top color	Filter color	Light seal washer-opaque	COMPLETE ASSEMBLY PART NUMBERS			
					Part number	*Mil. Std. Dwg. No. ■	Part number	*Mil. Std. Dwg. No. ■
	270-0111	Black	Red	Black	270-1930-0111-702	MS25010A11A	270-1830-0111-702	MS25010B11A
	270-0171	Black	Clear	Black	270-1930-0171-702	MS25010A12A	270-1830-0171-702	MS25010B12A
	270-0212	Gray	Red	Gray	270-1930-0212-702	MS25010A15A	270-1830-0212-702	MS25010B15A
	270-0272	Gray	Clear	Gray	270-1930-0272-702	MS25010A16A	270-1830-0272-702	MS25010B16A

* To designate an assembly by MS number complete with MS25237-327 or MS25237-328 lamp requires the call out and addition of the lamp number to the MS number suffix.
Examples: MS25010A12A327; MS25010B16A328. There is no MS designation of the assembly complete with other lamps listed.

Part numbers shown in gray are normally in inventory at your Dialight Distributor.

■ The complete assembly will be marked with MS part number for Mounting Base only.

X-ON Electronics

Largest Supplier of Electrical and Electronic Components

Click to view similar products for [Lamp Lenses](#) category:

Click to view products by [Dialight](#) manufacturer:

Other Similar products are found below :

[D38999/20ZA35BA](#) [D38999/20ZA98JA](#) [D38999/20ZA98SA-LC](#) [D38999/20ZC35HA](#) [D38999/20ZG11AA](#) [D38999/20ZG11HA](#)
[D38999/20ZG16AA](#) [D38999/20ZG16BA](#) [D38999/20ZG16SA](#) [D38999/20ZG35HA](#) [D38999/20ZG39PA-LC](#) [D38999/20ZG41AA](#)
[D38999/20ZG41PA-LC](#) [D38999/20ZG41SA](#) [801-0334-500](#) [810-0331-500](#) [812-0974](#) [140-1475-003](#) [DTS20Z21-11AA](#) [DTS20Z21-11PA-LC](#)
[DTS20Z21-11SA](#) [DTS20Z21-16AA](#) [DTS20Z21-16BA](#) [DTS20Z21-16JA-LC](#) [DTS20Z21-16PA-LC](#) [DTS20Z21-16SA](#) [DTS20Z21-35AA](#)
[DTS20Z21-35BA](#) [DTS20Z21-39HA-LC](#) [DTS20Z21-39PA-LC](#) [DTS20Z21-39SA](#) [DTS20Z21-39SA-LC](#) [DTS20Z21-41AA](#) [DTS20Z21-41BA](#)
[DTS20Z21-41HA-LC](#) [DTS20Z21-41JA](#) [DTS20Z21-41PA-LC](#) [DTS20Z21-75BA](#) [DTS20Z21-75JA-LC](#) [DTS20Z9-35SA-LC](#) [DTS20Z9-98JA-](#)
[LC](#) [DTS20Z9-98SA-LC](#) [151-2900-200](#) [ATS675LSETN-LT-T](#) [199-5261](#) [221-1131-203](#) [222-0113-303](#) [222-0135-203](#) [270-0121](#) [95-0410-](#)
[0932-301](#)