



T-2
C7A(NE-2D)
C9A(NE-2J)
MIDGET
FLANGE BASE

See lamp ratings
on page L.

Neon Indicators

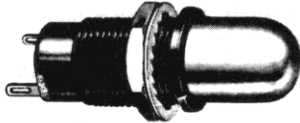
TWO TERMINALS—FULLY INSULATED
WITH BUILT-IN RESISTORS
FOR MOUNTING IN 15/32" CLEARANCE HOLE

MEET OR EXCEED ENVIRONMENTAL AND OPERATIONAL REQUIREMENTS
OF MIL-L-6723 AND MIL-L-3661B

When connecting a neon light to a circuit having one side grounded, always connect the hot side of the circuit to the terminal marked + (Center Contact).

FEATURES

- **Rugged-phenolic insulated:** The socket, lamp, and all connections are well insulated from the mounting bushing by means of phenolic material of military specification grade.
- Ultra-compact; conserves space and weight.
- Lens cap assembly unscrews from front of panel for easy replacement of the lamp.
- The shank of the lens holder is crimped in 3 evenly spaced places to secure the lamp.
- Anti-rotation (locked) construction.



361-8836-0931-552
LH74/1; LC13RN2

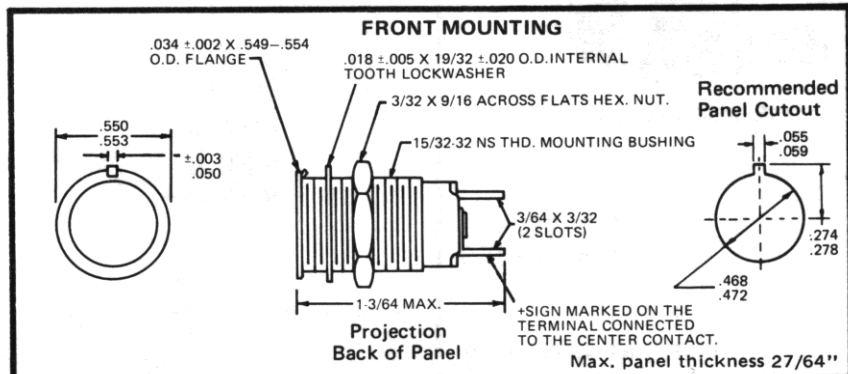
361-8864-0931-522
LH74/2; LC13RN2

MATERIAL AND FINISHES

- **Mounting Bushing:** Aluminum, black anodize finish.
- **Internal-tooth Lockwasher and Mounting nut:** Steel, cadmium plated with yellow iridescent chromate finish.
- **Terminals:** Brass, hot tinned with elongated slot.

QPL Listed

361 SERIES



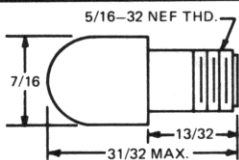
BASE PART NUMBERS

LH 74/1 361-8836-09-552
With built in 62K resistor

LH 74/2 361-8864-09-522
With built in 27K resistor

CAP PART NUMBERS

COMPLETE ASSEMBLY PART NUMBERS



STOVEPIPE
NON-DIFFUSING

Type Desig.	Part Number	Lens Cap Color
LC13RN2	137-0931	Red
LC13YN2	137-0933	Yellow (amber)
LC13WT2	137-0935	White
LC13CN2	137-0937	Clear (colorless)

361-8836-0931-552

361-8836-0933-552

361-8836-0935-552

361-8836-0937-552

361-8864-0931-522

361-8864-0933-522

361-8864-0935-522

361-8864-0937-522

Part numbers shown in gray are normally
in inventory at your Dialight Distributor.

X-ON Electronics

Largest Supplier of Electrical and Electronic Components

Click to view similar products for [Lamp Holders & Accessories](#) category:

Click to view products by [Dialight](#) manufacturer:

Other Similar products are found below :

[811730-1](#) [MS25041-6-327](#) [MS25041-8-327](#) [162-8430-0931-502-327](#) [PBMBN](#) [251-7538-15-504](#) [2802](#) [294502](#) [162-8430-0932-502-327](#) [183-9730-14-602](#) [21-16](#) [251-8738-15-504](#) [259-1930-29-801](#) [2707508753800](#) [350-0410-01-203](#) [367-8430-0971-503](#) [367-8430-09-802](#) [367-8430-09-810](#) [371-8738-14-504](#) [4610](#) [367-8430-0972-503](#) [367-8430-09-808](#) [367-8430-09-809](#) [492H412-9](#) [MS25256-2-327](#) [737AS15](#) [830-1430-14-503](#) [PBMBP](#) [851-1030-0001-504](#) [047340229301](#) [061131002301](#) [081041001100](#) [019310105301](#) [080320205303](#) [361-8836-0931-552](#) [1.71.209.001/0000](#) [1.71.209.001/0000](#) [1301910073](#) [04-12](#) [02-82](#) [26-07](#) [07-20](#) [101-8430-09-203](#) [177-8430-09-503](#) [162-8430-0937-502](#) [812-1030-09-506](#) [250-8738-14-504](#) [125-1310-11-103](#) [270-1930-702](#) [MS25041-7-327](#)