



T-2  
C7A(NE-2D)  
C9A(NE-2J)  
MIDGET  
FLANGE BASE

See lamp ratings  
on page L.

# Neon Indicators

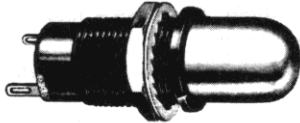
TWO TERMINALS—FULLY INSULATED  
WITH BUILT-IN RESISTORS  
FOR MOUNTING IN 15/32" CLEARANCE HOLE

MEET OR EXCEED ENVIRONMENTAL AND OPERATIONAL REQUIREMENTS  
OF MIL-L-6723 AND MIL-L-3661B

When connecting a neon light to a circuit having one side grounded, always connect the hot side of the circuit to the terminal marked + (Center Contact).

## FEATURES

- **Rugged-phenolic insulated:** The socket, lamp, and all connections are well insulated from the mounting bushing by means of phenolic material of military specification grade.
- Ultra-compact; conserves space and weight.
- Lens cap assembly unscrews from front of panel for easy replacement of the lamp.
- The shank of the lens holder is crimped in 3 evenly spaced places to secure the lamp.
- Anti-rotation (locked) construction.



361-8836-0931-552  
LH74/1; LC13RN2

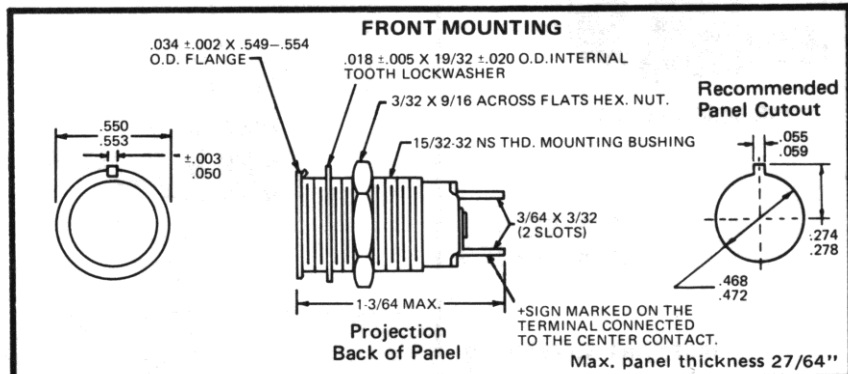
361-8864-0931-522  
LH74/2; LC13RN2

## MATERIAL AND FINISHES

- **Mounting Bushing:** Aluminum, black anodize finish.
- **Internal-tooth Lockwasher and Mounting nut:** Steel, cadmium plated with yellow iridescent chromate finish.
- **Terminals:** Brass, hot tinned with elongated slot.

## QPL Listed

361 SERIES



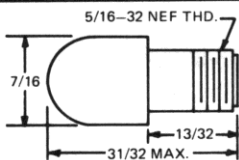
## BASE PART NUMBERS

LH 74/1 361-8836-09-552  
With built in 62K resistor

LH 74/2 361-8864-09-522  
With built in 27K resistor

## CAP PART NUMBERS

## COMPLETE ASSEMBLY PART NUMBERS



STOVEPIPE  
NON-DIFFUSING

| Type Desig. | Part Number | Lens Cap Color    |
|-------------|-------------|-------------------|
| LC13RN2     | 137-0931    | Red               |
| LC13YN2     | 137-0933    | Yellow (amber)    |
| LC13WT2     | 137-0935    | White             |
| LC13CN2     | 137-0937    | Clear (colorless) |

Part numbers shown in gray are normally  
in inventory at your Dialight Distributor.

## X-ON Electronics

Largest Supplier of Electrical and Electronic Components

*Click to view similar products for [Lamp Holders & Accessories](#) category:*

*Click to view products by [Dialight](#) manufacturer:*

Other Similar products are found below :

[M81969/17-09](#) [D38999/20ZF11SA](#) [D38999/20ZF11SA-LC](#) [D38999/20ZJ35SA](#) [D38999/24ZF32BN](#) [D38999/24ZF35SN](#) [D38999/24ZF35SN-LC](#) [D38999/24ZG35SN-LC](#) [8101000002201](#) [811730-1](#) [983-0SE14-07S8](#) [DAK83S-20](#) [DTS20Z9-35SA](#) [MS18236-1YN](#) [DTS24Z21-11SN](#) [DTS24Z21-16AN](#) [DTS24Z21-16PN](#) [DTS24Z21-16PN-LC](#) [MS25041-8-327](#) [BACC63CN1404S8A](#) [BACC63CN1407S8A](#) [EN2997S01407F8](#) [EN2997SE01407F8](#) [169-0412-11-201](#) [PBMBN](#) [251-7538-15-504](#) [2802](#) [2802](#) [294502](#) [983-0S14-04S8](#) [983-0S14-07S8](#) [983-0S14-07S8-L](#) [983-0SE14-04S8](#) [162-8430-0932-502-327](#) [183-9730-14-602](#) [21-16](#) [251-8738-15-504](#) [259-1930-29-801](#) [3062](#) [350-0410-01-203](#) [367-8430-09-802](#) [367-8430-09-810](#) [371-8738-14-504](#) [D38999/20ZA35SA](#) [D38999/20ZG35SA](#) [D38999/24ZC35SA](#) [D38999/24ZF11SN-LC](#) [D38999/24ZF32SN-LC](#) [D38999/24ZG39SN-LC](#) [D38999/24ZG41PN-LC](#)