

# WATER-TIGHT Incandescent Indicators



T-1 3/4  
MIDGET  
FLANGE BASE  
See lamp ratings  
on page J.

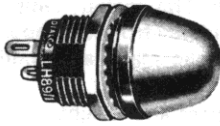
with RETAINED O-RING SEALS – TWO TERMINALS - FULLY INSULATED

WATER-TIGHT, OIL-TIGHT, DUST-TIGHT ON THE FACE OF THE PANEL

For mounting in 15/32" clearance hole

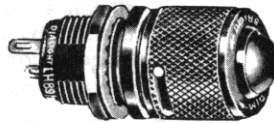
Conform to MIL-L-3661B

MOUNT IN 15/32" CLEARANCE HOLE  
FRONT OF PANEL INSERTION  
WITH FIXED FLANGE



367-8430-0931-503  
LH89/1; LC35RN2

DIMMER TYPE

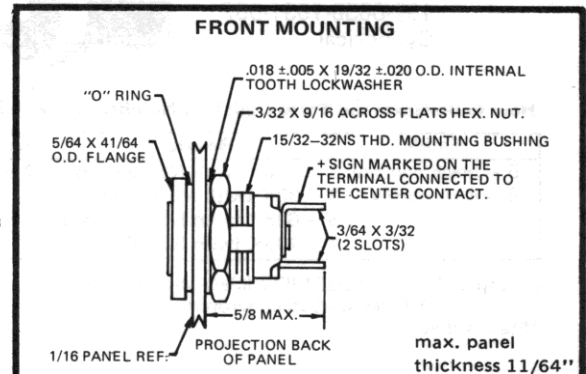


368-8430-0111-203  
LH89/1; LC36RD2

## Feature

- Anti-rotation (locked) construction: Provides for secure locking of the socket terminal assembly in the mounting bushing and of the center terminal to the insulating disc. The notched mounting bushing receives the matched insulating disc to prevent the rotation of the mounting bushing.

QPL Listed

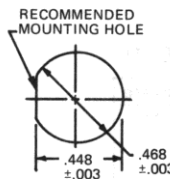


## MATERIALS AND FINISHES (367 series)

- **Mounting Bushing:** Aluminum, black anodize finish.
- **Internal-tooth Lockwasher and Mounting Nut:** Steel, cadmium plated with yellow iridescent chromate finish.
- **Terminals:** Brass, hot tinned, with elongated slots.
- **Lens:** High impact plastic.

## MATERIAL AND FINISHES (368 and 369 series)

- **Mounting Bushing:** Brass, black nickel finish.
- **Mounting Nut:** Brass, white nickel finish.
- **Internal-tooth Lockwasher:** Phosphor bronze, white nickel finish.
- **Terminals:** Brass, hot tinned with elongated slots.



367 SERIES  
368 SERIES  
369 SERIES

BASE PART NUMBER

(LH 89/1) 367-8430-09-503

CAP PART NUMBERS	Type Desig.	Part No.	Lens Cap Color	COMPLETE ASSEMBLY PART NUMBERS
	<b>Stovepipe – Non Diffusing</b>			
	LC35RN2	128-0931-003	Red	367-8430-0931-503
	LC35GN2	128-0932-003	Green	367-8430-0932-503
	LC35YN2	128-0933-003	Yellow (Amber)	367-8430-0933-503
	LC35BN2	128-0934-003	Blue	367-8430-0934-503
	LC35CN2	128-0937-003	Clear (Colorless)	367-8430-0937-503
	<b>Stovepipe – Translucent</b>			
	LC35RT2	128-0971-003	Red	367-8430-0971-503
	LC35GT2	128-0972-003	Green	367-8430-0972-503
	LC35YT2	128-0973-003	Yellow (Amber)	367-8430-0973-503
	LC35BT2	128-0974-003	Blue	367-8430-0974-503
	LC35WT2	128-0975-003	White	367-8430-0975-503
	<b>Convex Diffusing Complete Blackout</b>			
	LC36RD2	160-0111-203	Red	368-8430-0111-203
	LC36GD2	160-0112-203	Green	368-8430-0112-203
	LC36YD2	160-0113-203	Yellow (Amber)	368-8430-0113-203
	LC36BD2	160-0114-203	Blue	368-8430-0114-203
	LC36CD2	160-0117-203	Clear (Colorless)	368-8430-0117-203
	<b>Convex Diffusing Semi-Blackout</b>			
	LC37RD2	161-0111-203	Red	369-8430-0111-203
	LC37GD2	161-0112-203	Green	369-8430-0112-203
	LC37YD2	161-0113-203	Yellow (Amber)	369-8430-0113-203
	LC37BD2	161-0114-203	Blue	369-8430-0114-203
	LC37CD2	161-0117-203	Clear (Colorless)	369-8430-0117-203

Part numbers shown in gray are normally in inventory at your Dialight Distributor.

Order complete with lamp to be assured of receiving the indicator light and correct lamp together for immediate use.

## X-ON Electronics

Largest Supplier of Electrical and Electronic Components

*Click to view similar products for [Lamp Holders & Accessories](#) category:*

*Click to view products by [Dialight](#) manufacturer:*

Other Similar products are found below :

[811730-1](#) [MS25041-6-327](#) [MS25041-8-327](#) [162-8430-0931-502-327](#) [PBMBN](#) [251-7538-15-504](#) [2802](#) [294502](#) [162-8430-0932-502-327](#) [183-9730-14-602](#) [21-16](#) [251-8738-15-504](#) [259-1930-29-801](#) [2707508753800](#) [350-0410-01-203](#) [367-8430-0971-503](#) [367-8430-09-802](#) [367-8430-09-810](#) [371-8738-14-504](#) [4610](#) [367-8430-0972-503](#) [367-8430-09-808](#) [367-8430-09-809](#) [492H412-9](#) [MS25256-2-327](#) [737AS15](#) [830-1430-14-503](#) [PBMBP](#) [851-1030-0001-504](#) [047340229301](#) [061131002301](#) [081041001100](#) [019310105301](#) [080320205303](#) [361-8836-0931-552](#) [1.71.209.001/0000](#) [1.71.209.001/0000](#) [1301910073](#) [04-12](#) [02-82](#) [26-07](#) [07-20](#) [101-8430-09-203](#) [177-8430-09-503](#) [162-8430-0937-502](#) [812-1030-09-506](#) [250-8738-14-504](#) [125-1310-11-103](#) [270-1930-702](#) [MS25041-7-327](#)