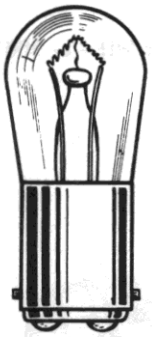


# Large Incandescent Indicators

MOUNT IN 1" CLEARANCE HOLE  
FOR 24 TO 250V OPERATION

PER MIL- L-3661B



S 6  
DOUBLE CONTACT  
BAYONET BASE

See lamp ratings  
on page K.

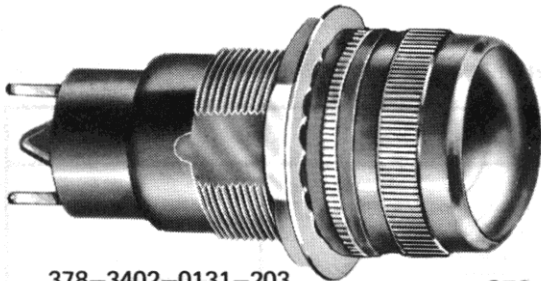
Recognized under the component  
program of Underwriters'  
Laboratories Inc.

75W., 125V.



## MATERIALS FINISHES

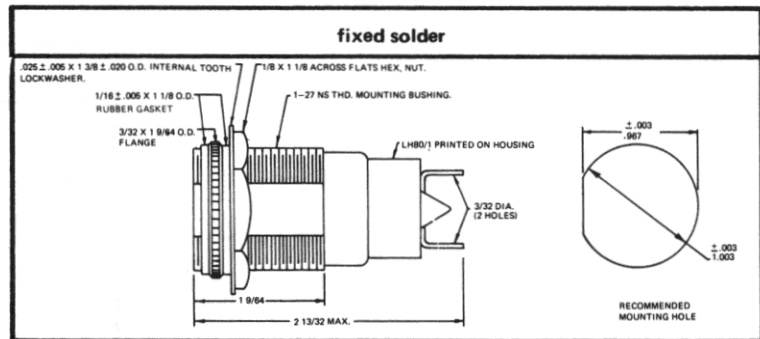
- Mounting Bushing: Black nickel finish.
- Lens Holder and Knurled Flange Ring: Black nickel finish.
- Mounting Nut: Brass, white nickel finish.
- Internal-tooth Lockwasher: Phosphor bronze, white nickel finish.
- Terminals: Solder – brass, hot tinned.



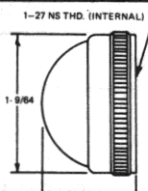
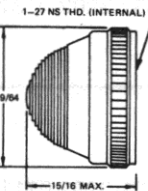
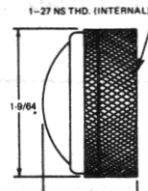
378-3402-0131-203  
Convex lens

378 SERIES  
379 SERIES  
380 SERIES  
381 SERIES

BASE PART NUMBER



(LH80/1) 378-3402-01-203

CAP PART NUMBER	COMPLETE ASSEMBLY PART NUMBERS
 <p>1-27 NS THD. (INTERNAL)</p> <p>1-9/64</p> <p>13/16 MAX.</p> <p><b>CONVEX</b> LC21 51-0131-203 transparent</p>	378-3402-0131-203
 <p>1-27 NS THD. (INTERNAL)</p> <p>1-9/64</p> <p>15/16 MAX.</p> <p><b>TORPEDO</b> LC22 80-0531-203 transparent</p>	379-3402-0531-203
 <p>1-27 NS THD. (INTERNAL)</p> <p>1-9/64</p> <p>15/16 MAX.</p> <p><b>CONVEX Mech. Dimmer</b> LC23 209-0131-203 Complete blackout LC24 210-0131-203 Semi-blackout</p>	380-3402-0131-203 381-3402-0131-203

Order complete with lamp to be assured of receiving the indicator light and correct lamp together for immediate use.

## X-ON Electronics

Largest Supplier of Electrical and Electronic Components

*Click to view similar products for [Lamp Holders & Accessories](#) category:*

*Click to view products by [Dialight](#) manufacturer:*

Other Similar products are found below :

[M81969/17-09](#) [D38999/20ZF11SA](#) [D38999/20ZF11SA-LC](#) [D38999/20ZJ35SA](#) [D38999/24ZF32BN](#) [D38999/24ZF35SN](#) [D38999/24ZF35SN-LC](#) [D38999/24ZG35SN-LC](#) [8101000002201](#) [811730-1](#) [983-0SE14-07S8](#) [DAK83S-20](#) [DTS20Z9-35SA](#) [MS18236-1YN](#) [DTS24Z21-11SN](#) [DTS24Z21-16AN](#) [DTS24Z21-16PN](#) [DTS24Z21-16PN-LC](#) [MS25041-8-327](#) [BACC63CN1404S8A](#) [BACC63CN1407S8A](#) [EN2997S01407F8](#) [EN2997SE01407F8](#) [169-0412-11-201](#) [PBMBN](#) [251-7538-15-504](#) [2802](#) [2802](#) [294502](#) [983-0S14-04S8](#) [983-0S14-07S8](#) [983-0S14-07S8-L](#) [983-0SE14-04S8](#) [162-8430-0932-502-327](#) [183-9730-14-602](#) [21-16](#) [251-8738-15-504](#) [259-1930-29-801](#) [3062](#) [350-0410-01-203](#) [367-8430-09-802](#) [367-8430-09-810](#) [371-8738-14-504](#) [D38999/20ZA35SA](#) [D38999/20ZG35SA](#) [D38999/24ZC35SA](#) [D38999/24ZF11SN-LC](#) [D38999/24ZF32SN-LC](#) [D38999/24ZG39SN-LC](#) [D38999/24ZG41PN-LC](#)